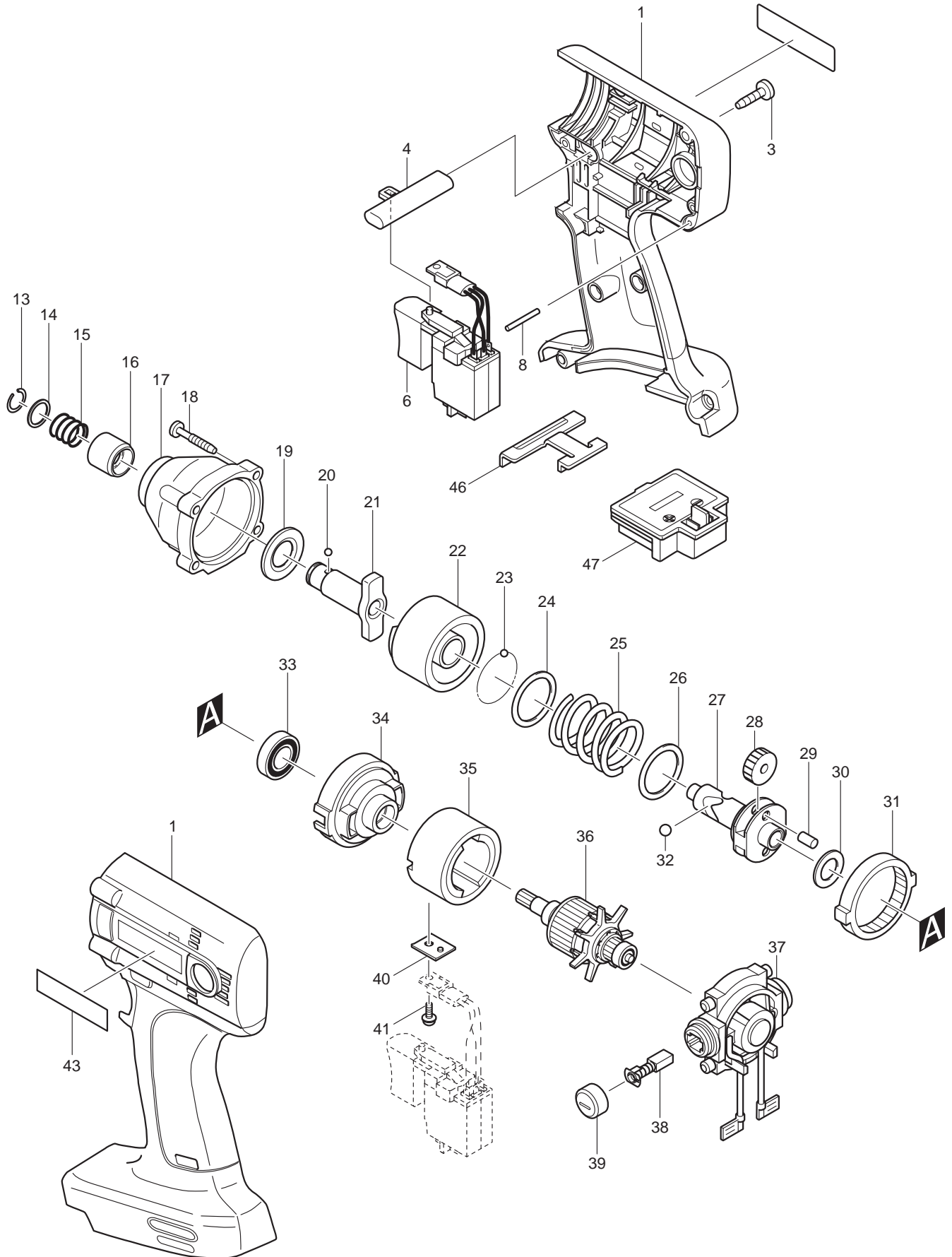




08 - 2009
BTD120SA
12V IMPACT DRIVER KIT



Item	Part No.	Description	Qty	Unit
1	183347-8	HOUSING SET	1	SET
	INC.	Item No. 43		
3	265995-6	TAPPING SCREW 4X18	7	PC.
4	416079-5	F/R CHANGE LEVER	1	PC.
6	650507-2	SWITCH C3LA-1A-TD	1	PC.
8	256176-3	PIN 2.5	1	PC.
13	231951-8	RING SPRING 11	1	PC.
14	267085-1	FLAT WASHER 12	1	PC.
15	233005-7	COMPRESSION SPRING 13	1	PC.
16	324420-7	SLEEVE (OLD#322434-0 - N/L/A)	1	PC.
17	153778-5	HAMMER CASE COM. (OLD#151947-2 - N/L/A)	1	PC.
18	265999-8	TAPPING SCREW 4X25	4	PC.
19	261108-7	NYLON WASHER 14	1	PC.
20	216001-0	STEEL BALL 3.5	2	PC.
21	324013-0	ANVIL M	1	PC.
22	323996-1	HAMMER	1	PC.
23	216001-0	STEEL BALL 3.5	24	PC.
24	267175-0	FLAT WASHER 24	1	PC.
25	233276-6	COMPRESSION SPRING 25	1	PC.
26	267175-0	FLAT WASHER 24 (TYPE 1) *use with TYPE1 Spindle (Item No.27)	1	PC.
	267766-7	CUP WASHER 14 (TYPE 2) *use with TYPE2 Spindle (Item No.27)	1	PC.
27	323994-5	SPINDLE (TYPE 1) *use with TYPE1 WASHER (Item No.26)	1	PC.
	324220-5	SPINDLE (TYPE 2) *use with TYPE2 WASHER (Item No.26)	1	PC.
28	226336-1	SPUR GEAR 22	2	PC.
29	256253-1	PIN 5	2	PC.
30	267212-0	FLAT WASHER 12	1	PC.
31	227001-5	INTERNAL GEAR 51	1	PC.
32	216011-7	STEEL BALL 5.6	2	PC.
33	211140-1	BALL BEARING 6901LLB	1	PC.
34	417269-3	INTERNAL GEAR CASE	1	PC.
35	632964-6	YOKE UNIT	1	PC.
36	619057-6	ARMATURE	1	PC.
37	638103-6	ENDBELL COM. (OLD# 632969-6)	1	PC.
	INC. 654069-2	RECEPTACLE	2	PC.
	INC. 263025-7	RUBBER PIN 4	4	PC.
38	193466-2	CARBON BRUSH CB-434 (2PCS/SET) (OLD#191975-5)	1	SET
39	643933-2	BRUSH HOLDER CAP	2	PC.
40	689096-0	FET SPACER	1	PC.
41	266170-7	TAPPING SCREW ST3X8	1	PC.
43	819063-3	MAKITA LABEL	1	PC.
46	344898-8	SUPPORT PLATE	1	PC.
47	643983-7	TERMINAL (OLD# 643955-2)	1	PC.
100	654001-6	TERMINAL R1.25-3.5	1	PC.
101	654037-5	INSULATED EYE TERMINAL RBV1.25-3.5	1	PC.
102	654208-4	RECEPTACLE	2	PC.
103	652038-7	P.H.SCREW M3X8	2	PC.

ACCESSORIES

A01	193346-2	12V NI-MH BATTERY BH1220	1	PC.
	193928-0	12V NI-MH BATTERY BH1220C	1	PC.
	193349-6	12V NI-MH BATTERY BH1233	1	PC.
	193930-3	12V NI-MH BATTERY BH1233	1	PC.
A02	DC14SA	DC14SA CHARGER	1	PC.
	DC24SC	DC24SA CHARGER	1	PC.
	DC18RA	DC18RA CHARGER	1	PC.

Item	Part No.	Description	Qty	Unit
A03	824632-7	PLASTIC CARRYING CASE (TYPE1)	1	PC.
	INC. 417075-6	LATCH	2	PC.
	824682-2	PLASTIC CARRYING CASE (TYPE2)	1	PC.
	INC. 417075-6	LATCH	2	PC.
A04	----	PHILLIPS BIT (See Catalogue for Details)	1	PC.
A05	194250-8	3/8" KEYLESS DRILL CHUCK ATTACHMENT (use with 784643-3 Connect Bit 6.35-44) (OLD# 192048-7 - N/L/A)	1	PC.
	191881-4	CONVENTIONAL DRILL CHUCK ATTACHMENT (use with 784643-3 Connect bit 6.35-44)	1	PC.
A06	784643-3	CONNECT BIT 6.35-44	1	PC.
A07	193122-4	SHOULDER STRAP	1	PC.
A08	417476-8	RUBBER PROTECTOR (TYPE 1)	1	PC.
	418834-1	RUBBER PROTECTOR (TYPE 2)	1	PC.
A09	----	MAGNETIC NUT SETTER (See Catalogue for Details)	1	PC.
A10	193681-8	REFRESHING ADAPTOR ADP03 (See ADP03 Partsbreakdown)	1	PC.
	193205-0	ADAPTOR APD01 (See ADP01 Partsbreakdown)	1	PC.