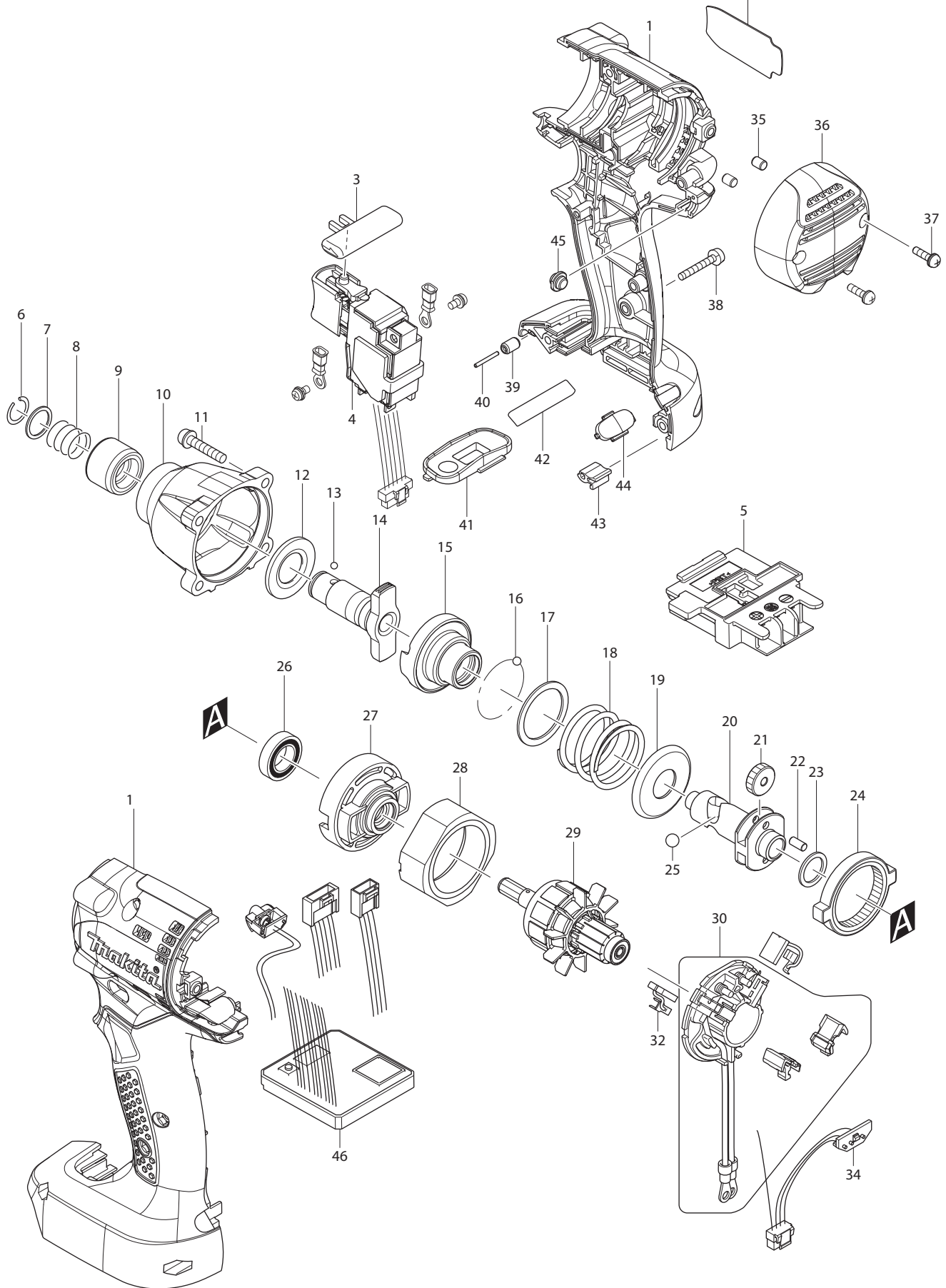




08 - 2014

BTD064Z

14.4V IMPACT DRIVER



Item No.	Type	Ref	Part No.	Description	Qty	Unit
1			187646-0	HOUSING SET	1	SET
		INC.	263005-3	RUBBER PIN 6	2	PC.
2			814J70-1	NAME PLATE F/BTD064	1	PC.
3			419041-9	F/R CHANGE LEVER	1	PC.
4			650702-4	SWITCH TG573FSB-5	1	PC.
5			644803-8	TERMINAL	1	PC.
6			231951-8	RING SPRING 11	1	PC.
7			267085-1	FLAT WASHER 12	1	PC.
8			233005-7	COMPRESSION SPRING 13	1	PC.
9			162257-2	SLEEVE	1	PC.
10			142055-0	HAMMER CASE COMPLETE	1	PC.
11			265145-3	+ PAN HEAD SCREW M4X22	4	PC.
12			261108-7	NYLON WASHER 14	1	PC.
13			216001-0	STEEL BALL 3.5	2	PC.
14			326288-7	ANVIL M	1	PC.
15			326283-7	HAMMER B	1	PC.
16			216001-0	STEEL BALL 3.5	24	PC.
17			267175-0	FLAT WASHER 24	1	PC.
18			234295-5	COMPRESSION SPRING 25	1	PC.
19			267851-6	CUP WASHER 14	1	PC.
20			326286-1	SPINDLE	1	PC.
21			227321-7	SPUR GEAR 16	2	PC.
22			268217-3	PIN 3.5	2	PC.
23			267104-3	FLAT WASHER 12	1	PC.
24			227318-6	INTERNAL GEAR 39	1	PC.
25			216011-7	STEEL BALL 5.6	2	PC.
26			211136-2	BALL BEARING 6801LLB	1	PC.
27			454414-9	INTERNAL GEAR CASE	1	PC.
28			638396-5	YOKE UNIT	1	PC.
29			619328-1	ARMATURE	1	PC.
30			632A91-5	BRUSH HOLDER COMPLETE	1	PC.
32			195021-6	CARBON BRUSH CB-440 2PC/SET W/ORIGIN	1	SET
34			620212-5	LED CIRCUIT	1	PC.
35			263032-0	RUBBER PIN 4	2	PC.
36			455357-8	REAR COVER	1	PC.
37			266816-5	+ PAN HEAD SCREW M3X12 WITH WR	2	PC.
38			265095-2	PAN HEAD SCREW M3X20	7	PC.
39			263036-2	RUBBER PIN 5	1	PC.
40			268184-2	PIN 1.5	1	PC.
41			142064-9	SWITCH PLATE WHITE COMPLETE	1	PC.
42			814J72-7	BTD064 SERIAL NO. LABEL	1	PC.
43			424517-3	CUSHION	1	PC.
44			454418-1	ID PLATE WHITE	1	PC.
45			450522-4	LENS	1	PC.
46	1		620211-7	* CONTROLLER	1	PC.
	2		620462-2	* CONTROLLER	1	PC.
E01			804N54-1	CAUTION LABEL	1	PC.
C01			844166-4	CARTON	1	PC.

Item No.	Type	Ref	Part No.	Description	Qty	Unit
ACCESSORY			- See Catalogue or visit www.makita.ca for more optional accessories -			
A01			454421-2	PLASTIC PROTECTOR, CLEAR	1	PC.
A02			454407-6	BATTERY PROTECTOR FOR BL1415NA	1	PC.
A03			196987-3	14.4V LI-ION BATTERY BL1415NA	1	PC.
A04			DC18SD	CHARGER DC18SD	1	PC.
A05			DC18SE	AUTOMOTIVE CHARGER DC18SE	1	PC.
A06			DC18RC	CHARGER DC18RC	1	PC.
A07			DC24SC	CHARGER DC124SC	1	PC.
A08			193681-8	REFRESHING ADAPTER ADP03	1	PC.

SERVICE CHANGES

1. Changes on Controller

(TI#A8196)

Item No.	Description	Type 1	Type 2
46	Controller	620211-7	620462-2

