

TABLE SAW

BT-2500

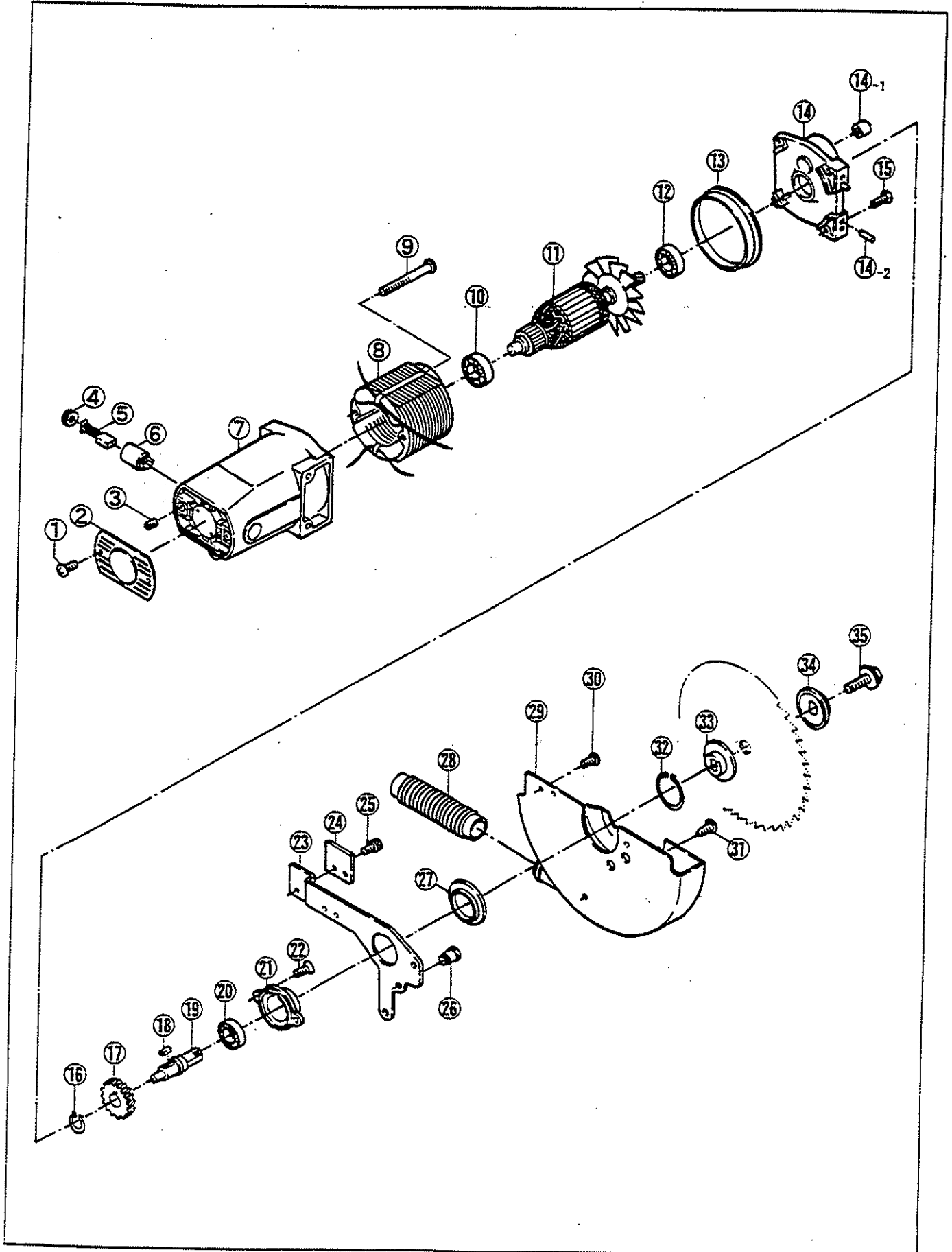


TABLE SAW

BT-2500

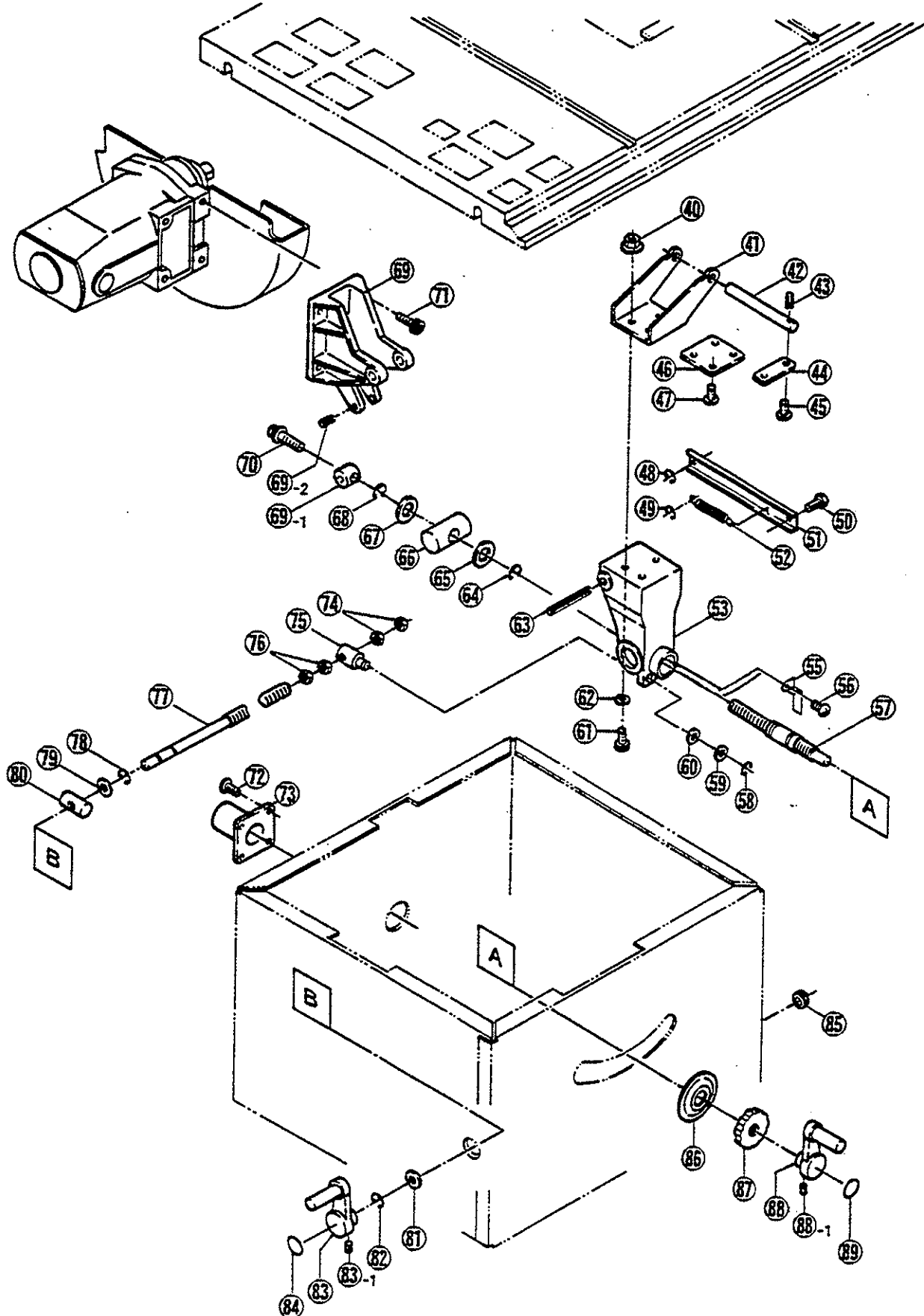
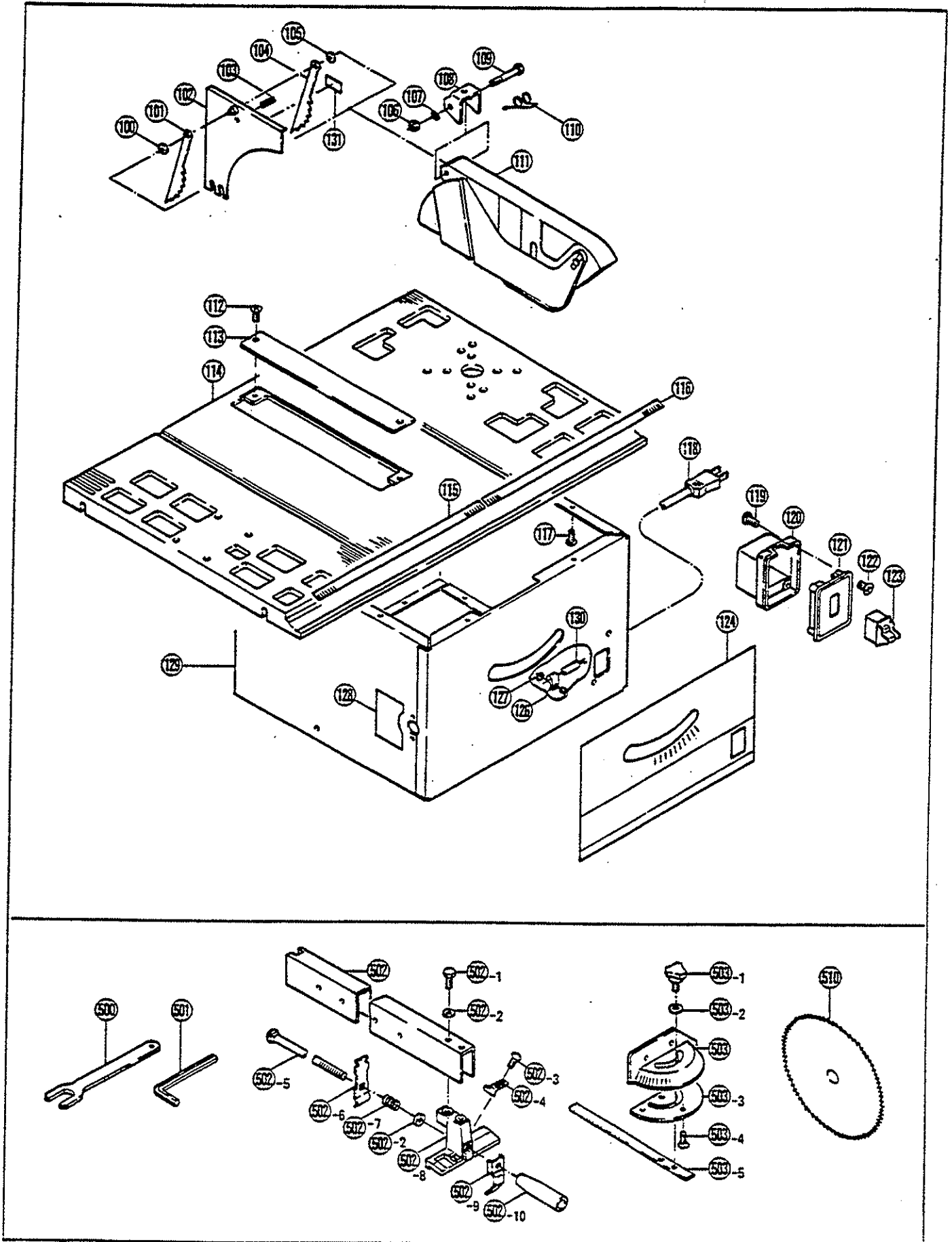


TABLE SAW

BT-2500



PARTS LIST FOR AFTER SALES SERVICE MODEL BT2500

REF	PART NO.	DESCRIPTION	QTY	REF	PART NO.	DESCRIPTION	QTY
1	9020408	PHILLIPS PAN SCREW M4X8	2	52	6180439	TENSION SPRING	1
2	6801601	TAIL COVER	1	53	6320259	LOCKER BRACKET	1
3	9280405	CLAMP SCREW M4X5	2	55	6153575	ANGLE PLATE	1
4	6570107	BRUSH CAP	2	56	9040408	TAPPING SCREW (S) M4X8	1
5	6540063	CARBON BRUSH SET	1	57	6220266	ELEVATING SHAFT	1
6	6570097	BRUSH HOLDER	2	58	9500400	RETAINING RING E-4	1
7	6801598	MOTOR HOUSING	1	59	9560600	WASHER	1
8	6501565	FIELD COIL	1	60	9570600	WASHER	1
9	9060565	TAPPING SCREW (B) M5X65	2	61	9220820	HEX SOCKET HEAD BOLT M8X20	4
10	969235005	BALL BEARING #6200LLB	1	62	9570800	WASHER	4
11	6032086	ARMATURE	1	63	9408063	SPRING PIN	1
12	969235004	BALL BEARING #6002LLB	1	64	6100002	RETAINING RING BETW-12	1
13	6490299	FAN CASING	1	65	6900223	COLLAR	1
14	6080404	GEAR CASE	1	66	6190427	PIVOT BLOCK	1
14-1	6760002	OILLESS METAL	1	67	6900223	COLLAR	1
14-2	6120002	PARALLEL PIN	2	68	9501200	RETAINING RING E-12	1
15	9060535	TAPPING SCREW (B) M5X35	4	69	6080403	MOTOR BRACKET	1
16	9511600	RETAINING RING S-16	1	69-1	6190407	PIVOT BLOCK	1
17	6200462	FINAL GEAR	1	69-2	9406012	SPRING PIN	2
18	6100023	PARALLEL KEY	1	70	6130388	FLAT SCREW (L.H.T.) M5X16	1
19	6110184	GEAR SHAFT	1	71	9220516	HEX SOCKET HEAD BOLT M5X16	4
20	969235003	BALL BEARING #6003LLB	1	72	9040412	TAPPING SCREW (S) M4X12	4
21	6820810	GEAR CASE COVER	1	73	6360277	DUST NOZZLE	1
22	9150512	FLAT TAPPING SCREW(S)M5X12	2	74	6130872	HEX NUT M10	2
23	6153593	ARM	1	75	6190409	PIVOT BLOCK	1
24	6153544	RIVING KNIFE PLATE	1	76	6130872	HEX NUT M10	2
25	9220612	HEX SOCKET HEAD BOLT M6X12	2	77	6220259	INCLINING SHAFT	1
26	6120278	ARM PIN	1	78	9500600	RETAINING RING E-6	1
27	6220258	RING	1	79	6900692	WASHER	1
28	6370309	DUST HOSE	1	80	6190411	PIVOT BLOCK	1
29	6881096	LOWER GUARD	1	81	6900692	WASHER	1
30	9040408	TAPPING SCREW (S) M4X8	3	82	9500600	RETAINING RING E-6	1
31	9040412	TAPPING SCREW (S) M4X12	1	83	6080764	HANDLE	1
32	9514000	RETAINING RING S-40	1	83-1	9280508	CLAMP SCREW M5X8	1
33	6940470	INNER FLANGE	1	84	6921137	LABEL	1
34	6940469	OUTER FLANGE	1	85	6560126	CORD BUSH	1
35	6220257	HEX NUT M16	1	86	6150345	PLATE	1
40	6130965	HEX NUT M8	4	87	6831619	LOCK HANDLE	1
41	6153548	LOCKER PLATE	1	88	6080764	HANDLE	1
42	6100671	FULCRUM SHAFT	1	89	6921138	LABEL	1
43	9404012	SPRING PIN 4X12	1	100	6100004	RETAINING RING CS-3.5	1
44	6153541	CLAMPER	1	101	6153560	CLIP	1
45	9040510	TAPPING SCREW (S) M5X10	2	102	6080603	RIVING KNIFE	1
46	6153538	CLAMPER	1	103	9404022	SPRING PIN	1
47	9040510	TAPPING SCREW (S) M5X10	4	104	6153560	CLIP	1
48	9500400	RETAINING RING E-4	1	105	6100004	RETAINING RING CS-3.5	1
49	6100004	RETAINING RING CS-3.5	1	106	9300600	HEX NUT M6	1
50	6130871	HEX HEAD BOLT	1	107	9550600	SPRING WASHER M6	1
51	6153535	ARM	1	108	6153563	HINGE	1

PARTS LIST FOR AFTER SALES SERVICE MODEL BT2500

109	6130870	HEX HEAD BOLT	1	--	9690080	EMPIRE TUBE 8	1
110	6180437	COMPRESSION SPRING	1	--	6530134	TIGHTENING BAND	3
111	6080860	SAFETY COVER	1				
112	9140408	PHILLIPS FLAT SCREW M4X8	2				
113	6881275	CENTER COVER	1			STANDARD ACCESSORIES	
114	6320287	BASE	1	500	6241033	SINGLE- END WRENCH 22	1
115	6921136	SCALE	1	--	6240863	SINGLE-END WRENCH 24	1
116	6921135	SCALE	1	501	6241143	HEX KEY WRENCH 2.5	1
117	9040510	TAPPING SCREW (S) M5X10	8	--	6241093	HEX KEY WRENCH 5	1
118	6520235	CORD ASS'Y AWG#14X2X2	1	502	6080762	PARALLEL SCALE	1
119	9060416	TAPPING SCREW (B) M4X16	4	502-1	9190612	HEX HEAD BOLT M6X12	2
120	6360409	SWITCH BOX	1	502-2	9570600	WASHER	3
121	6360408	SWITCH PLATE	1	502-3	9000406	PHILLIPS PAN SCREW M4X6	1
122	9160408	FLAT TAPPING SCREW(B)M4X8	2	502-4	6310014	SCALE	1
123	6550502	TOGGLE SWITCH	1	502-5	6100672	SCALE SHAFT	1
124	6921134	"RYOBI" MARK	1	502-6	9403008	SPRING PIN	1
126	6590271	CORD CLAMP	2	502-7	9020410	PHILLIPS PAN SCREW M4X10	1
127	6100004	RETAINING RING CS-3.5	2	502-8	6320284	PARALLEL SCALE RULER	1
128	6913413	NAME PLATE	1	502-9	6153567	CLAMP METAL	1
129	6080765	FRAME	1	502-1	6830050	GRIP	1
130	6520214	JOINT CORD	1	503	6080774	INCLINING SCALE	1
131	6920104	ROTATION INDICATOR LABEL	1	503-1	6130296	KNOB BOLT M6X20	1
--	6560003	CONNECTOR	3	503-2	6900136	THRUST WASHER	1
--	6560064	FASTEN SLEEVE	2	503-3	6360376	BASE PLATE	1
--	6530209	FASTEN CONNECTOR	1	503-4	9150410	FLAT TAPPING SCREW(S)M4X10	3
--	6590524	LEAD WIRE	1	503-5	6153554	INCLINING SCALE GUIDE	1
--	6900251	THRUST WASHER	2	510	3650003	10" SAW BLADE	1

SERVICE NOTES: