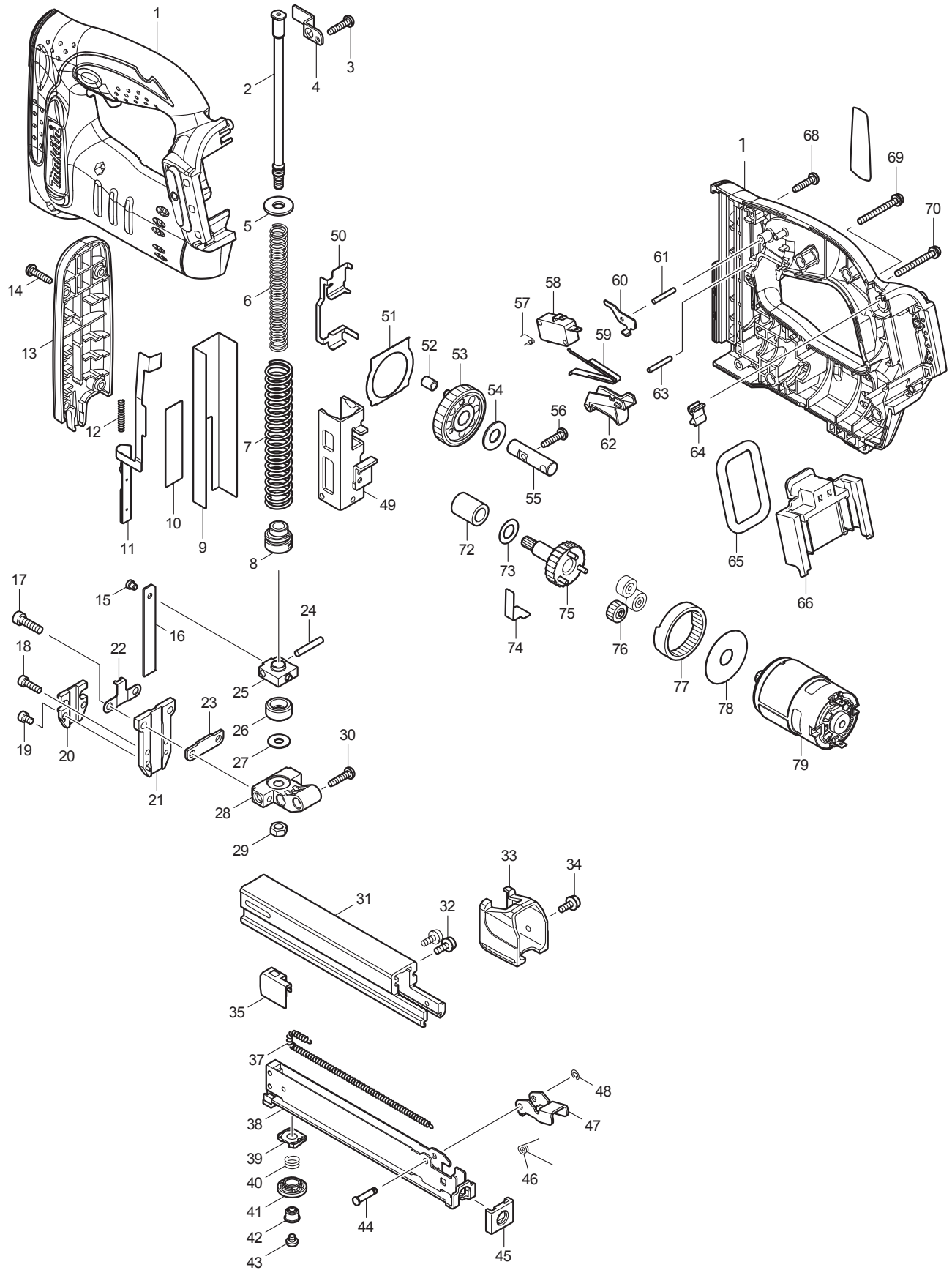




09 - 2011  
BST221Z / BST221X / BST221F  
18V STAPLER



Item No	Type	Ref	Ref Part No	Description	Qty	Unit
1			188588-1	HOUSING SET	1	PC.
		INC.	263005-3	RUBBER PIN 6	2	PC.
2	1		324886-1	GUIDE BOLT	1	PC.
	2		325635-9	GUIDE BOLT	1	PC.
3			265995-6	TAPPING SCREW 4X18	1	PC.
4			345907-6	FIX PLATE	1	PC.
5			253762-1	FLAT WASHER 8	1	PC.
6			234060-2	COMPRESSION SPRING 9	1	PC.
7	1		234061-0	COMPRESSION SPRING 13	1	PC.
	2		234101-4	COMPRESSION SPRING 13	1	PC.
8			424135-7	SPRING HOLDER	1	PC.
9			345978-3	GUIDE PLATE	1	PC.
10			345906-8	UPPER PLATE	1	PC.
11	1		165503-2	* SAFETY LEVER	1	PC.
	2		165602-0	* SAFETY LEVER	1	PC.
12			234078-3	COMPRESSION SPRING 4	1	PC.
13	1		450539-7	FRONT COVER (W/O Caution Label)	1	PC.
	2		158897-2	FRONT COVER COMPLETE	1	PC.
		INC.	810454-1	CAUTION LABEL (N/A as individual part)	1	PC.
14			265995-6	TAPPING SCREW 4X18	4	PC.
15			268157-5	PIN 4	1	PC.
16			345996-1	DRIVER	1	PC.
17			922227-1	HEX. SOCKET HEAD BOLT M5X18	2	PC.
18			266201-2	HEX.SOCKET HEAD BOLT M4X14	2	PC.
19			266199-3	HEX.SOCKET HEAD BOLT M4X6	2	PC.
20	1		450541-0	* SAEFTY LEVER GUIDE	1	PC.
	2		451801-3	* SAEFTY LEVER GUIDE	1	PC.
21			158759-4	DRIVER GUIDE COMPLETE	1	PC.
22			345910-7	SPRING BASE	1	PC.
23			344670-8	SET PLATE	1	PC.
24			256206-0	PIN 4	1	PC.
25			313150-5	DRIVER LOCK	1	PC.
26			424099-5	CUSHION	1	PC.
27			253804-1	FLAT WASHER 6	1	PC.
28			318267-9	HOLDER	1	PC.
29			931302-2	HEX. NUT M6	1	PC.
30			265995-6	TAPPING SCREW 4X18	1	PC.
31			158758-6	MAIN MAGAZINE COMPLETE	1	PC.
32			911113-1	PAN HEAD SCREW M4X10	2	PC.
33			450540-2	END CAP	1	PC.
34			911113-1	PAN HEAD SCREW M4X10	1	PC.
35			345997-9	PUSHER	1	PC.
37			231854-6	TENSION SPRING 3	1	PC.
38			165532-5	SUB MAGAZINE	1	PC.
39			450775-5	ADJUSTER BASE	1	PC.
40			231323-7	COMPRESSION SPRING 9	1	PC.
41			450702-2	ADJUSTER	1	PC.
42			450774-7	LOCK SLEEVE	1	PC.
43			265127-5	+ PAN HEAD SCREW M4X4	1	PC.
44			268029-4	PIN 4	1	PC.
45			421637-4	MAGAZINE END	1	PC.
46			233528-5	TORSION SPRING 5	1	PC.
47			345861-4	LEVER	1	PC.
48			961017-7	STOP RING E-3	1	PC.
49			165506-6	HAMMER	1	PC.
50			345914-9	SLIDE PLATE	1	PC.

Item No	Type	Ref	Ref Part No	Description	Qty	Unit
51			343629-2	PLATE	1	PC.
52			257772-0	SLEEVE 5	1	PC.
53			158646-7	SPUR GEAR 55 COMPLETE	1	PC.
54			253171-4	FLAT WASHER 10	1	PC.
55			324947-7	PIN 10	1	PC.
56			265995-6	TAPPING SCREW 4X18	1	PC.
57			233531-6	TORSION SPRING 3	1	PC.
58			651891-8	SWITCH V-15-3A6	1	PC.
59			232240-4	LEAF SPRING	1	PC.
60			345908-4	RELEASE PLATE	1	PC.
61			256221-4	PIN 3	1	PC.
62			450536-3	TRIGGER	1	PC.
63			256221-4	PIN 3	1	PC.
64			424026-2	CUSHION	1	PC.
65			424030-1	CUSHION	1	PC.
66	1		643822-1	TERMINAL	1	PC.
	2		643841-7	TERMINAL	1	PC.
68			265995-6	TAPPING SCREW 4X18	6	PC.
69			911163-6	PAN HEAD SCREW M4X35	1	PC.
70			911163-6	PAN HEAD SCREW M4X35	1	PC.
72			214058-5	PLANE BEARING 10	1	PC.
73			253758-2	FLAT WASHER 10	1	PC.
74			232241-2	LEAF SPRING	1	PC.
75			158647-5	SPUR GEAR 7 COMPLETE	1	PC.
76			221961-3	SPUR GEAR 27	3	PC.
77			221999-8	INTERNAL GEAR 69	1	PC.
78			267053-4	FLAT WASHER 12	1	PC.
79	1		629858-4	DC MOTOR	1	PC.
	2		629125-7	DC MOTOR	1	PC.
80			251314-2	+ SCREW M4X12 (F/HOOK)	1	PC.
100			654069-2	RECEPTACLE	2	PC.
101			654108-8	RECEPTACLE STO-41T-187N	2	PC.
102			654208-4	RECEPTACLE	2	PC.

**ACCESSORIES**

- See catalogue or visit [www.makita.ca](http://www.makita.ca) for optional accessory -

A01	1		192517-8	SAFETY GOGGLE	1	PC.
	2		195246-2	SAFETY GOGGLE	1	PC.
A02	1		324705-1	HOOK F/ BL1430, BL1830	1	PC.
	2		346449-3	* HOOK F/ BL1430, BL1830	1	PC.
A03			194205-3	18V LI-ION BATTERY BL1830	1	PC.
			194230-4	18V LI-ION BATTERY BL1830, 2/PK	1	PK
A04	1		DC18RA	CHARGER DC18RA	1	PC.
			DC18SE	12V AUTOMOTIVE CHARGER DC18SE	1	PC.
A05	1		824863-8	PLASTIC CARRYING CASE	1	PC.
		INC.	419216-0	HANDLE	1	PC.
		INC.	417724-5	LATCH	2	PC.
	2		141074-3	PLASTIC CARRYING CASE COMPLETE	1	PC.
		INC.	419216-0	HANDLE	1	PC.
		INC.	417724-5	LATCH	2	PC.
A06			821010-X	TOOL BAG	1	PC.
	2		DC18RC	CHARGER DC18RC	1	PC.