

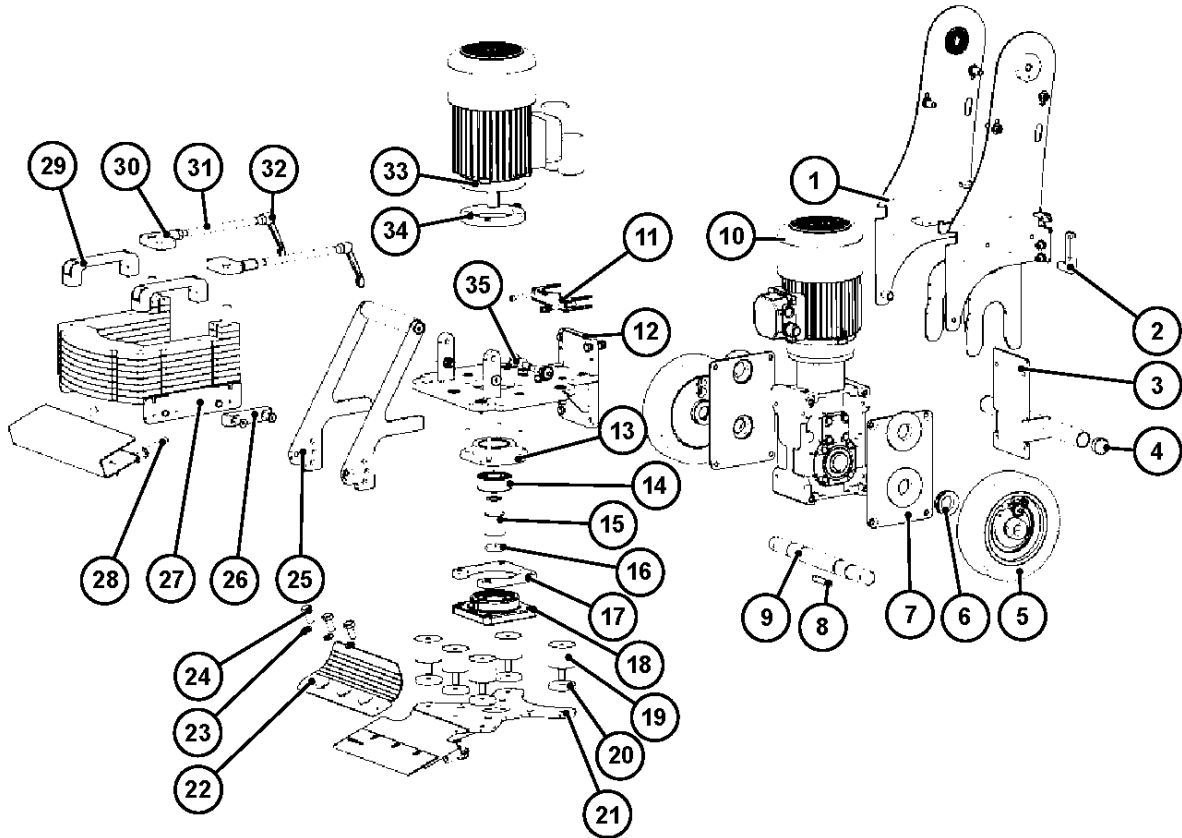


SPARE PARTS LIST

SCRAPERS

BS 75, 2022-04

**BS 75
CHASSIS, COMPLETE**

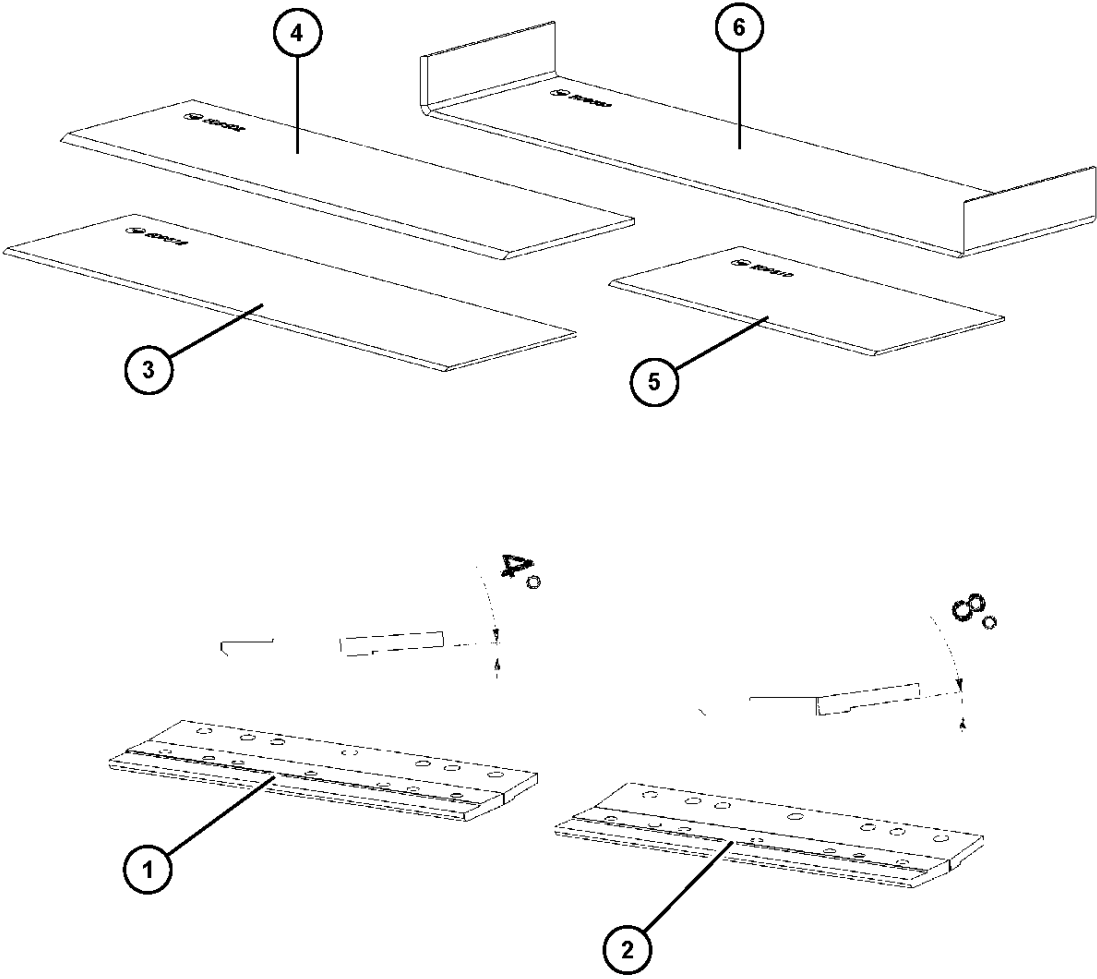


CHASSIS

BS 75, 2022-04

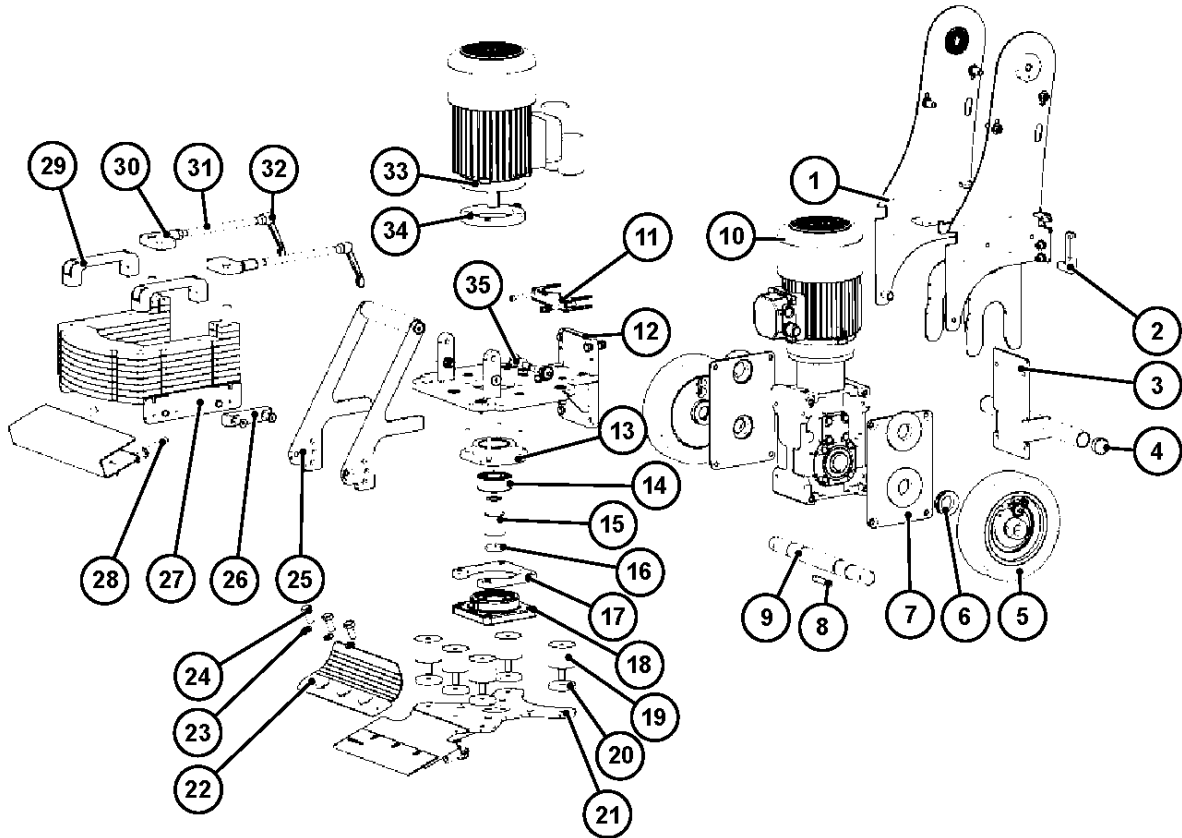
Ref	Part No	Description	Remark	QTY KIT
1	534 61 13-01	HANDLE	HANDLE	1
2	535 23 62-01	PLATE	PLATE	2
3	535 18 05-01	UNIT	UNIT	1
4	534 77 86-01	CAP	CAP	1
5	534 94 02-01	HUB	HUB	2
5	534940702	TBD	INSERT	2
6	533 21 88-01	SEAL	SEAL	2
7	535 02 74-01	ADAPTER PLATE	ADAPTER PLATE	1
8	533 51 41-01	KEY	KEY	1
9	533 42 51-01	SHAFT	SHAFT	1
10	534 80 49-02	MOTOR KIT	MOTOR KIT	1
11	534 40 29-01	CLAMP	CLAMP	1
12	535 14 89-01	CHASSIS	CHASSIS	1
13	533 67 10-01	BEARING HOUSING	BEARING HOUSING	1

**BS 75
TOOLS & ACCESSORIES**



Ref	Part No	Description	Remark	QTY KIT
14	900 00 00-02	DUMMY PART	DUMMY PART	1

**BS 75
CHASSIS, COMPLETE**

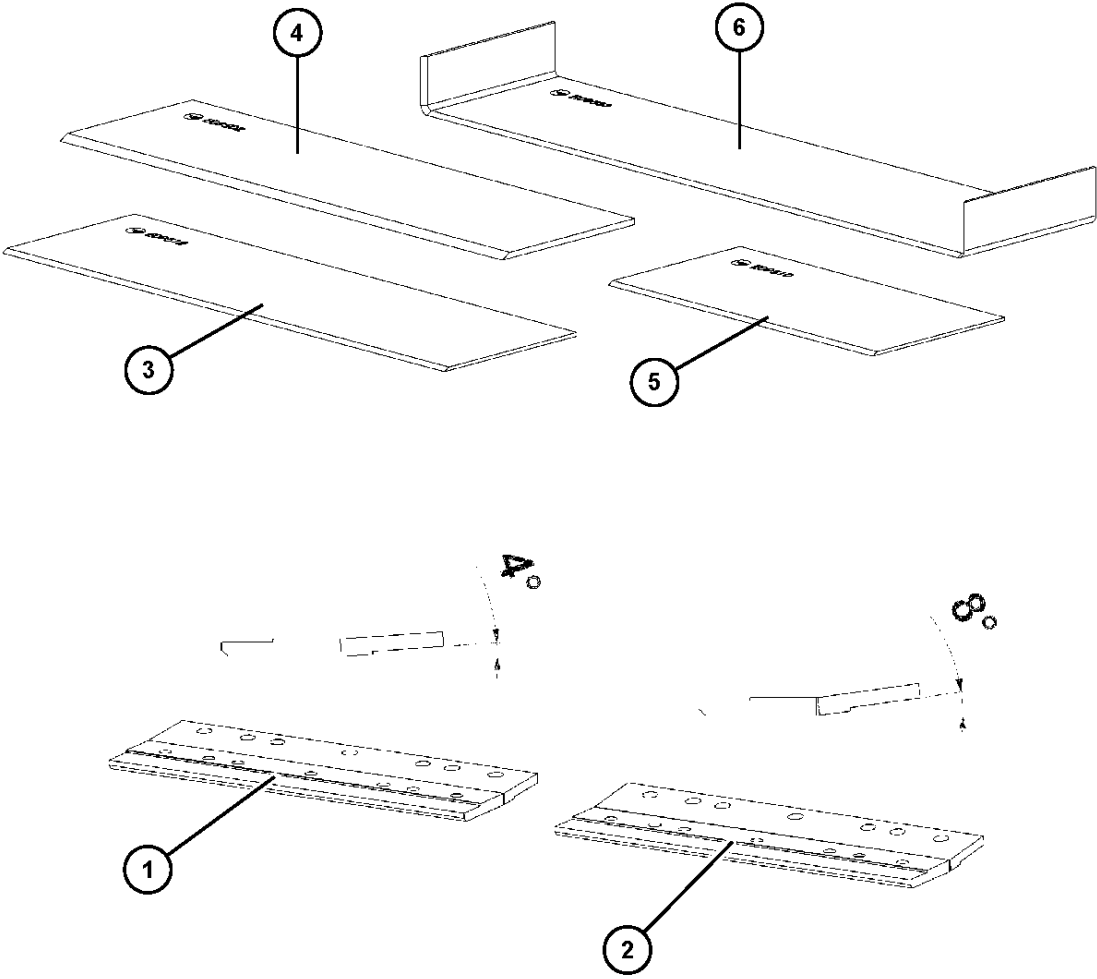


CHASSIS

BS 75, 2022-04

Ref	Part No	Description	Remark	QTY KIT
15	533 26 98-01	BUSH	BUSH	1
16	533 43 06-01	BEARING	BEARING	1
17	533 49 61-01	BEARING PLATE	BEARING PLATE	1
18	533 43 06-01	BEARING	BEARING	1
19	533 85 19-01	ABSORBER	ABSORBER	5
20	534 57 47-01	WASHER	WASHER	5
21	534 42 16-02	HEAD	HEAD	1
22	534 32 87-02	COVER	COVER	1

**BS 75
TOOLS & ACCESSORIES**

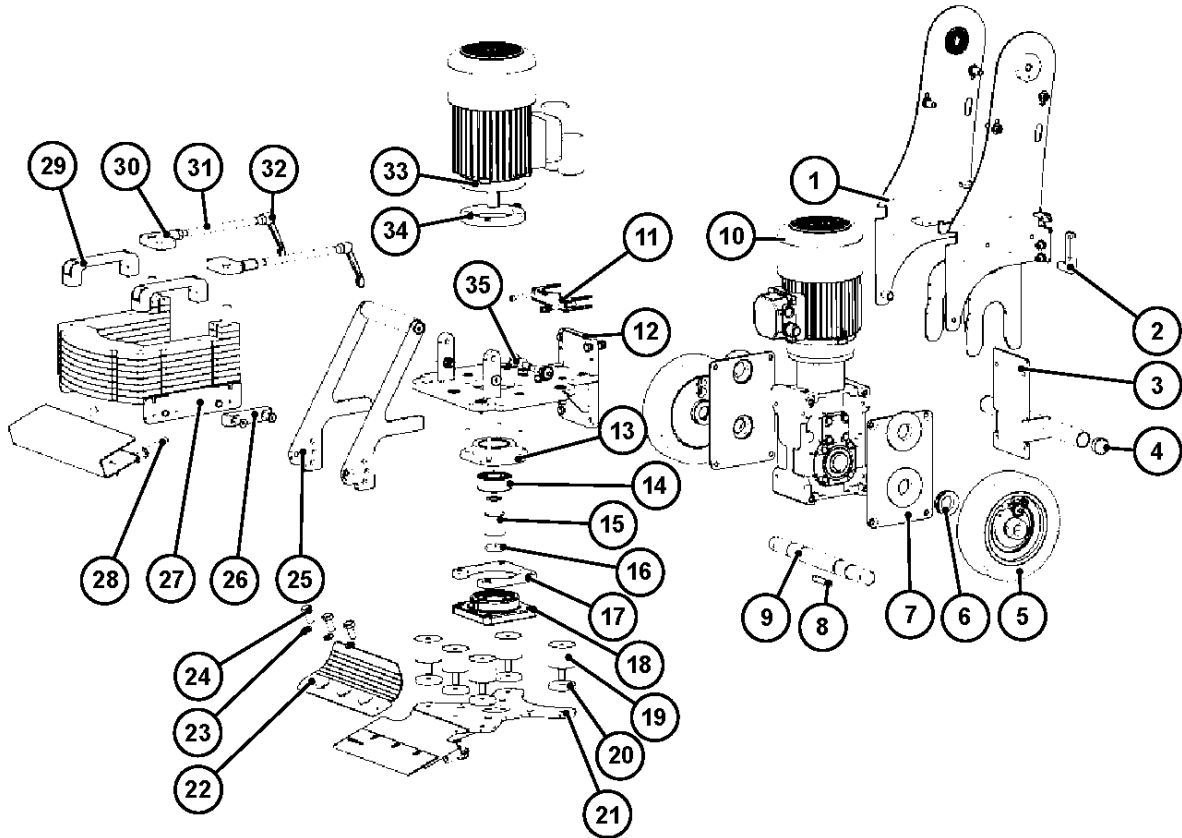


CHASSIS

BS 75, 2022-04

Ref	Part No	Description	Remark	QTY KIT
23	900 00 00-02	DUMMY PART	DUMMY PART	3
24	900 00 00-02	DUMMY PART	DUMMY PART	3

**BS 75
CHASSIS, COMPLETE**

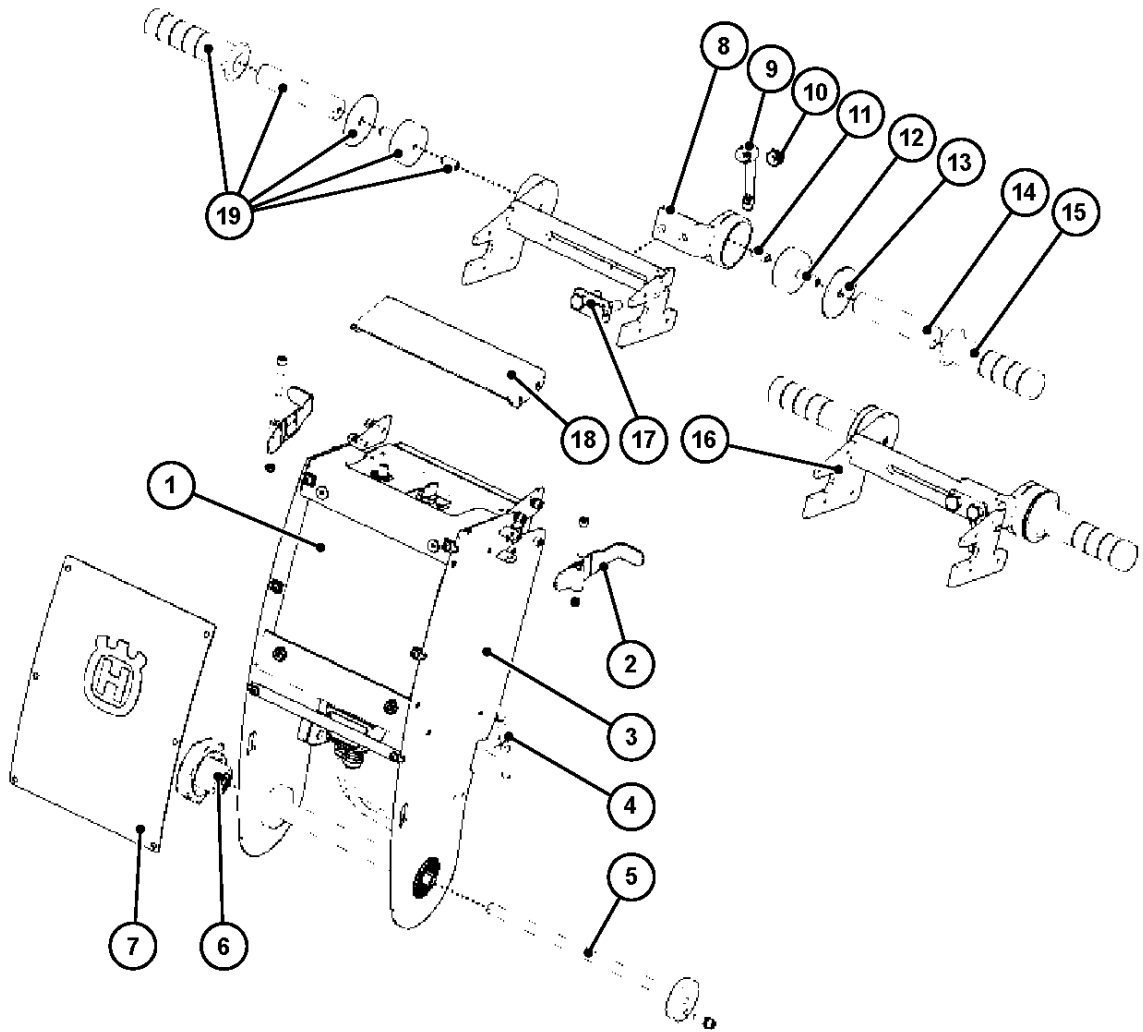


CHASSIS

BS 75, 2022-04

Ref	Part No	Description	Remark	QTY KIT
25	534 66 69-01	HANDLE	HANDLE	1
26	534 78 12-01	STRIP	STRIP	2
27	535 26 65-01	WEIGHT	WEIGHT	1
28	535 10 88-01	PROTECTION	PROTECTION	1
29	534 61 68-01	HANDLE	HANDLE	2
30	534 39 31-01	LEVER	LEVER	2
31	534 39 40-01	LEVER	LEVER	2
32	533 51 21-01	CLAMP	CLAMP	2
33	533 61 43-01	MOTOR	MOTOR	1
33	535 91 30-02	MOTOR	MOTOR	1
34	533 23 87-01	PLATE	PLATE	1
35	533 65 37-01	PIN	PIN	2

BS 75
STEERING UNIT, COMPLETE

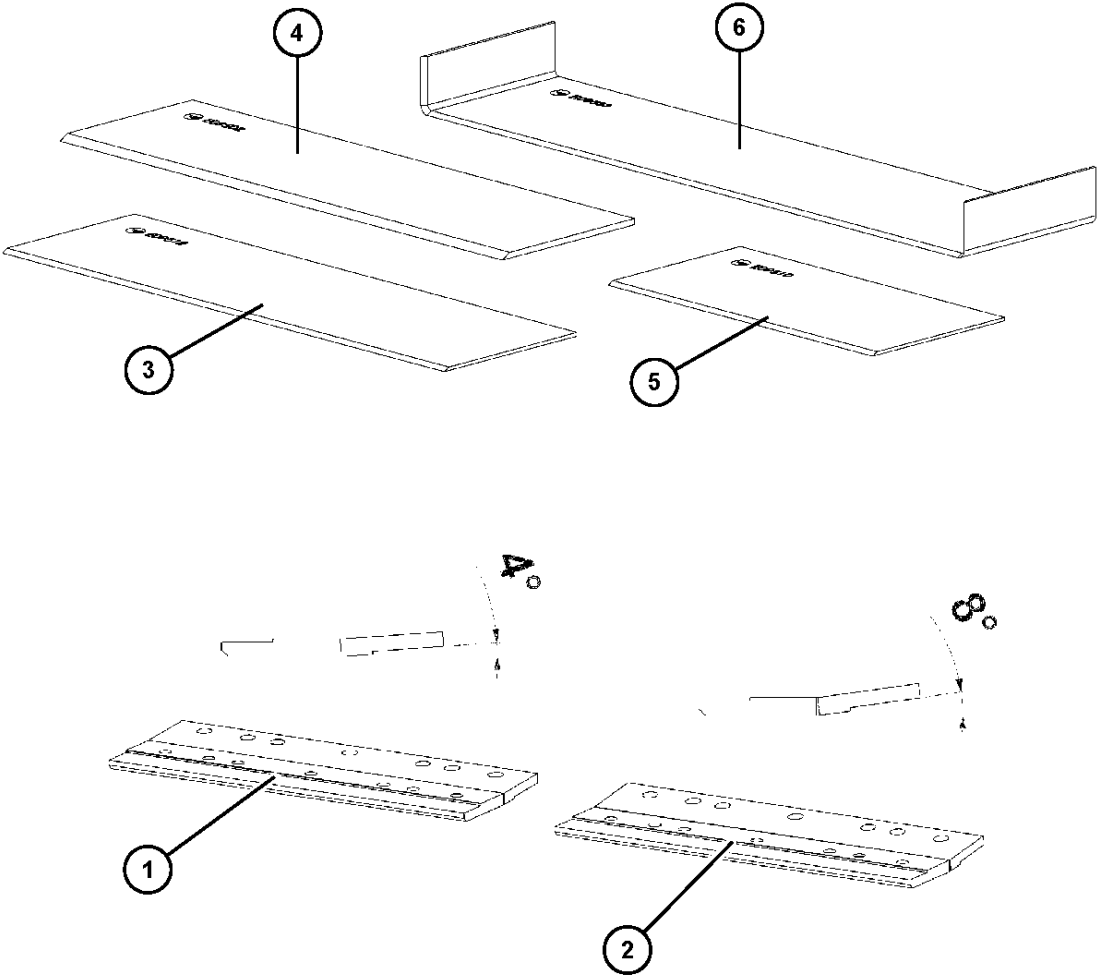


STEERING

BS 75, 2022-04

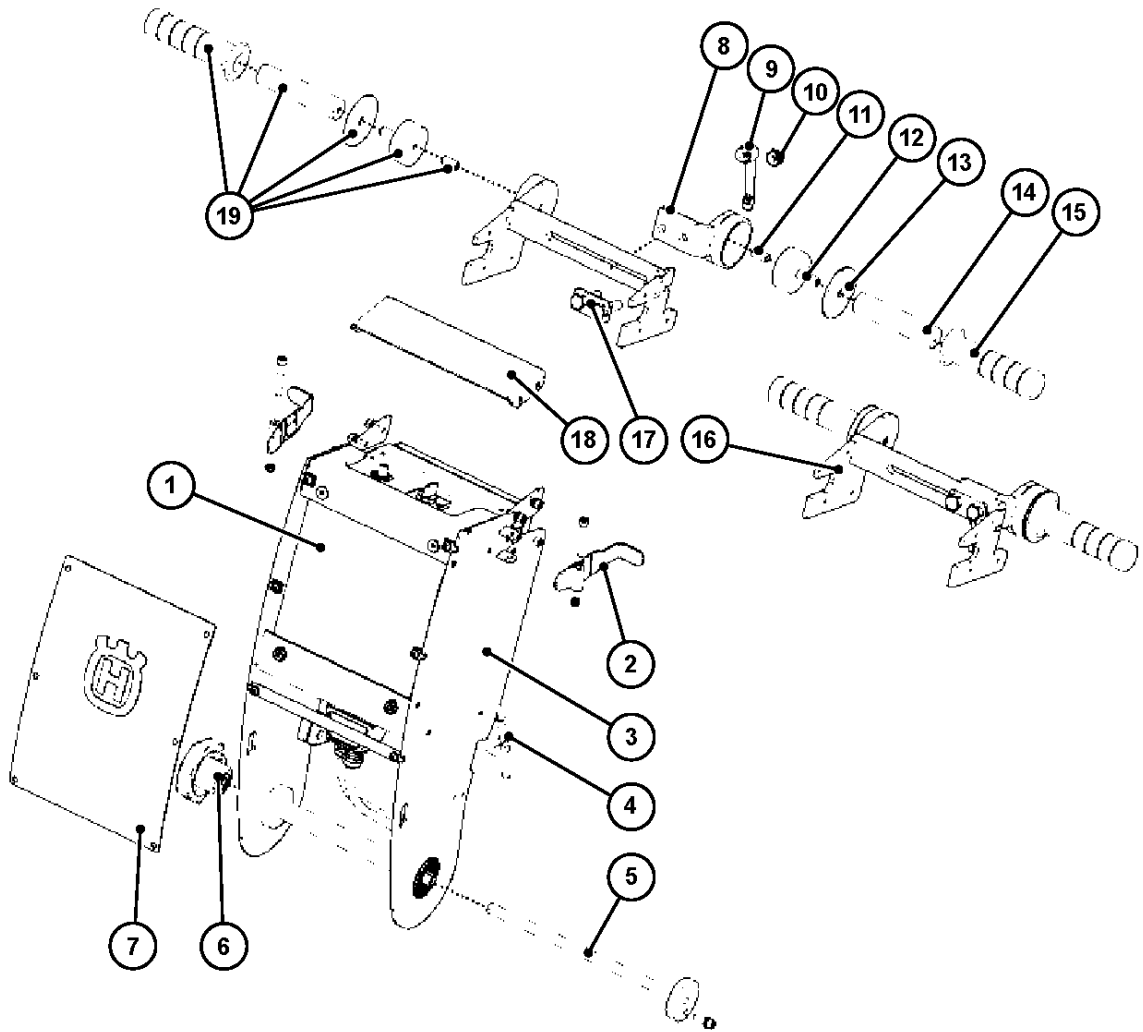
Ref	Part No	Description	Remark	QTY KIT
1	535 34 91-01	ELECTRONIC BOX	ELECTRONIC BOX	1
1	535 34 92-01	ELECTRONIC BOX	ELECTRONIC BOX	1
2	534 88 07-01	SWITCH	SWITCH	2
3	534 61 17-01	HANDLE	HANDLE	1
4	534 85 36-01	HOOK	HOOK	1
5	534 30 29-01	AXLE	AXLE	1
6	534 66 56-01	UNIT	UNIT	1
7	534 55 77-01	PLATE	PLATE	1
8	535 24 38-01	BRACKET	BRACKET	1
9	533 51 21-01	CLAMP	CLAMP	1

**BS 75
TOOLS & ACCESSORIES**



Ref	Part No	Description	Remark	QTY KIT
10	900 00 00-02	DUMMY PART	DUMMY PART	1

BS 75
STEERING UNIT, COMPLETE

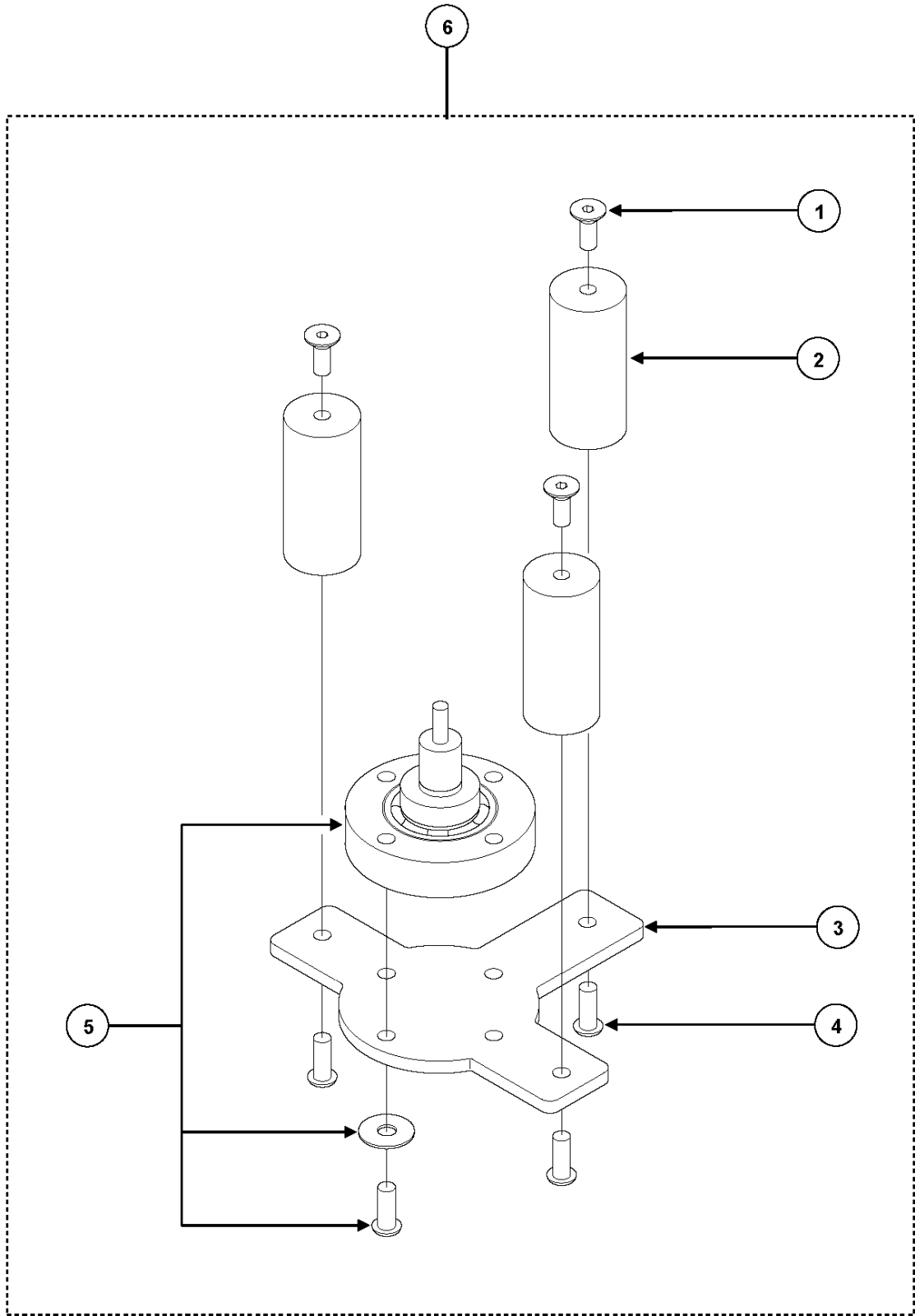


STEERING

BS 75, 2022-04

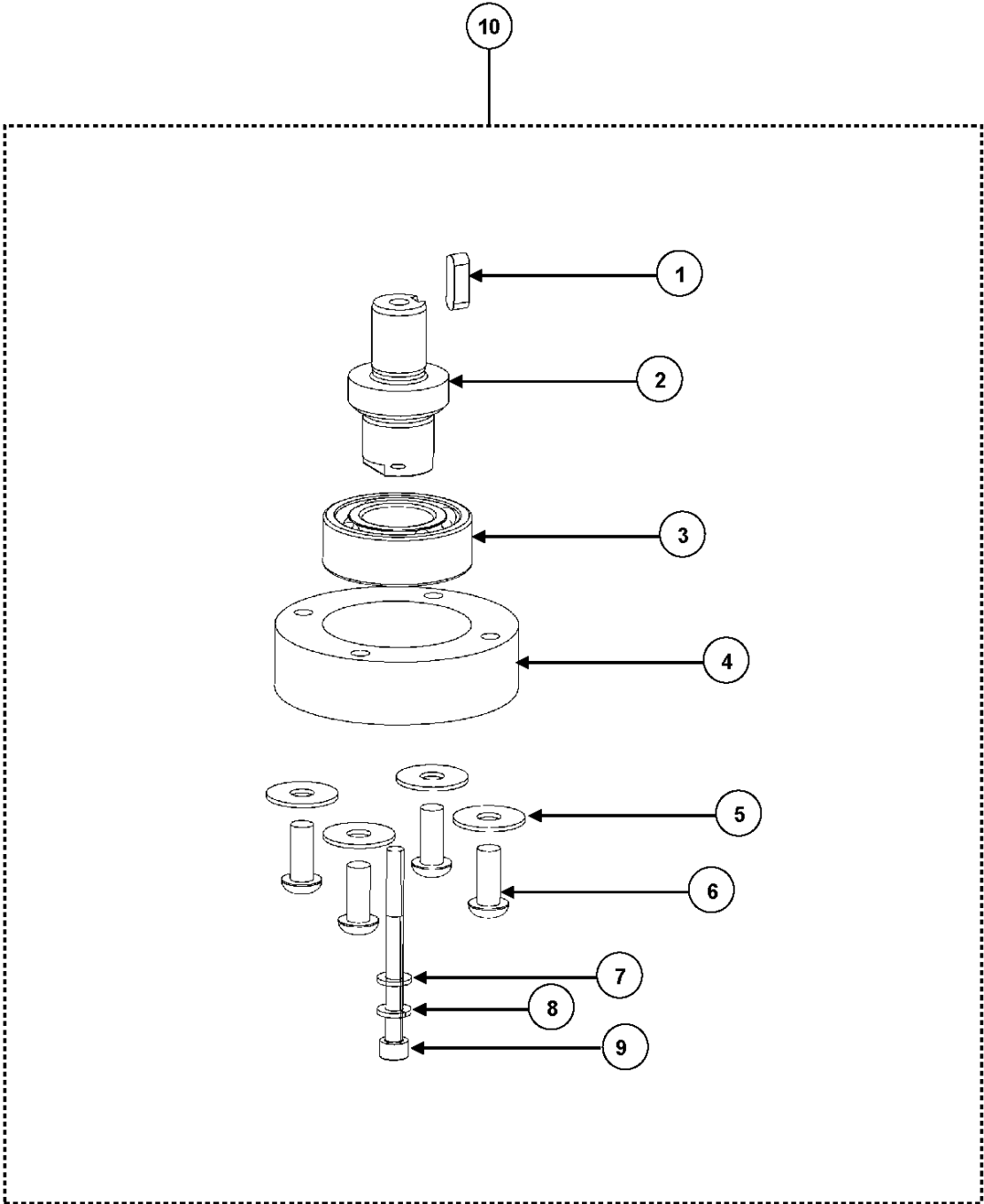
Ref	Part No	Description	Remark	QTY KIT
11	533 38 19-01	SCREW	SCREW	1
12	533 84 82-01	ABSORBER	ABSORBER	1
13	534 61 42-01	WASHER	WASHER	1
14	534 61 12-01	BAR	BAR	1
15	534 61 29-01	HANDLE	HANDLE	1
16	535 19 03-01	HANDLE BRACKET	HANDLE BRACKET	1
17	535 24 40-01	PLATE	PLATE	1
18	535 15 48-01	COVER	COVER	1
19	533 69 78-01	HANDLE	HANDLE	1

**BS 75
AXLE SUPPORT KIT**



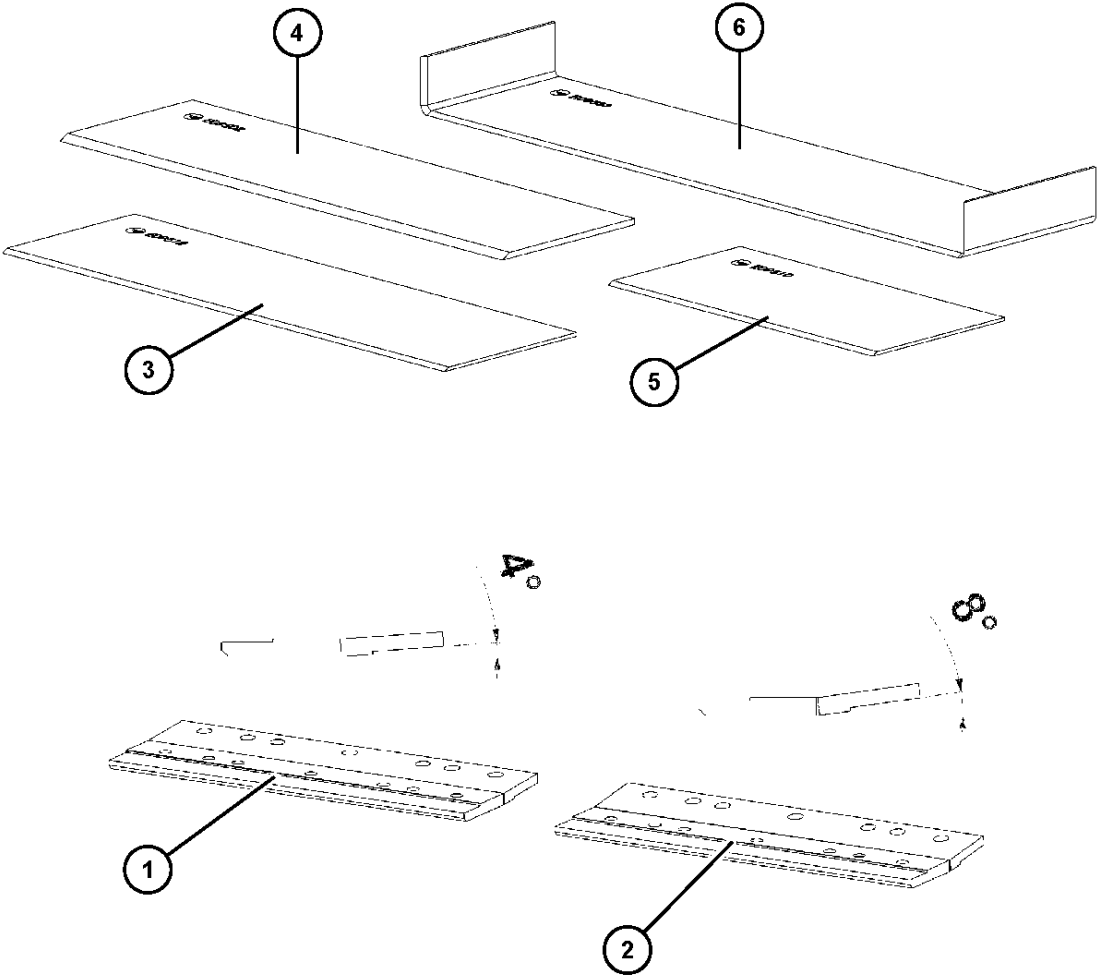
Ref	Part No	Description	Remark	QTY KIT
1	534 32 63-01	SCREW	SCREW	3
2	535 25 03-01	BUSH	BUSH	3
3	535 25 02-01	PLATE	PLATE	1
4	535 89 77-01	SCREW	SCREW	3
5	534 30 43-01	AXLE	AXLE	1
6	536997601	TBD	AXLE	1

**BS 75
AXLE SUPPORT KIT**



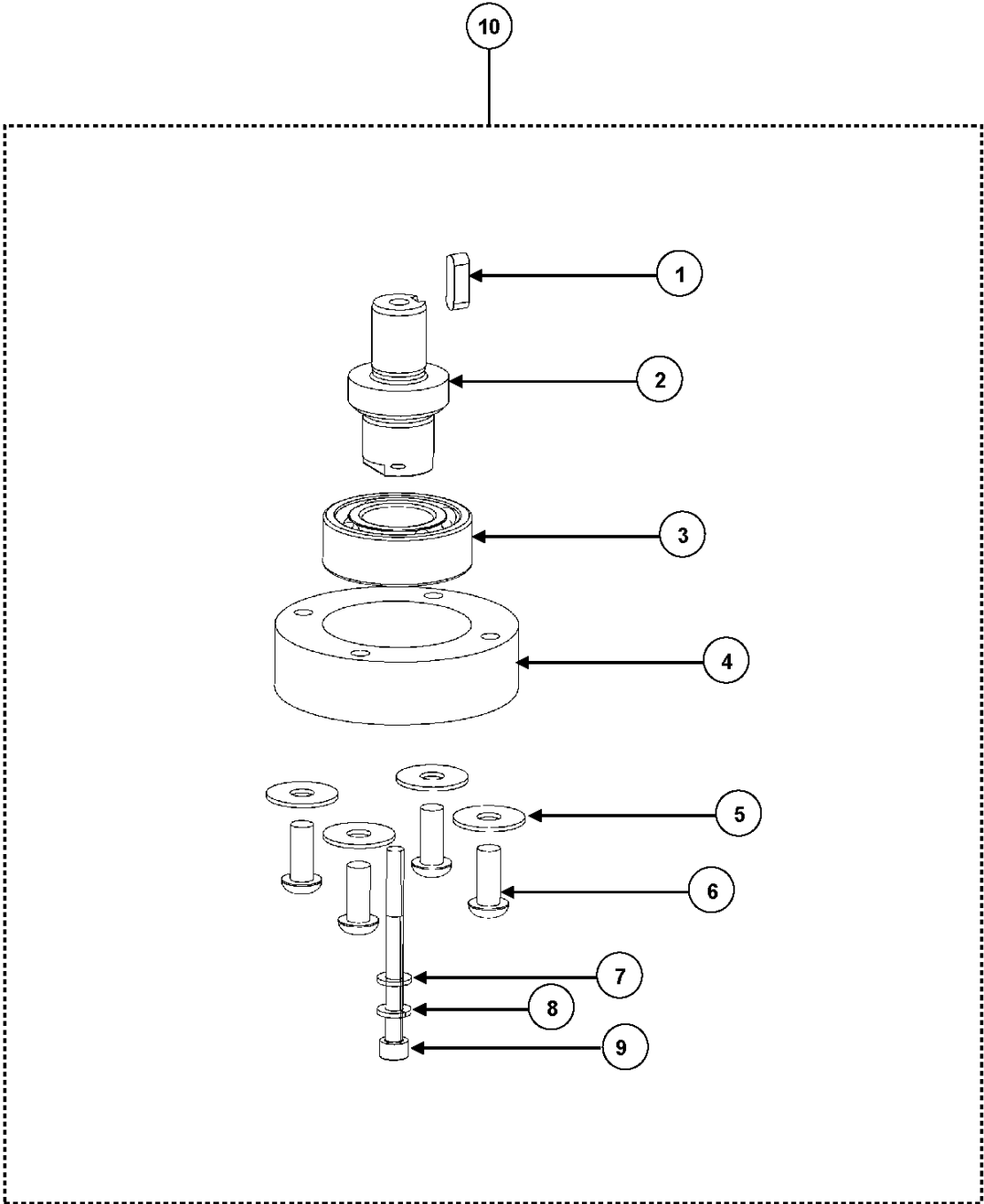
Ref	Part No	Description	Remark	QTY KIT
1	533 48 39-01	KEY	KEY	1
2	534 87 69-01	SHAFT	SHAFT	1
3	534 31 29-01	BEARING	BEARING	1
4	536 55 47-01	SUPPORT	SUPPORT	1

**BS 75
TOOLS & ACCESSORIES**



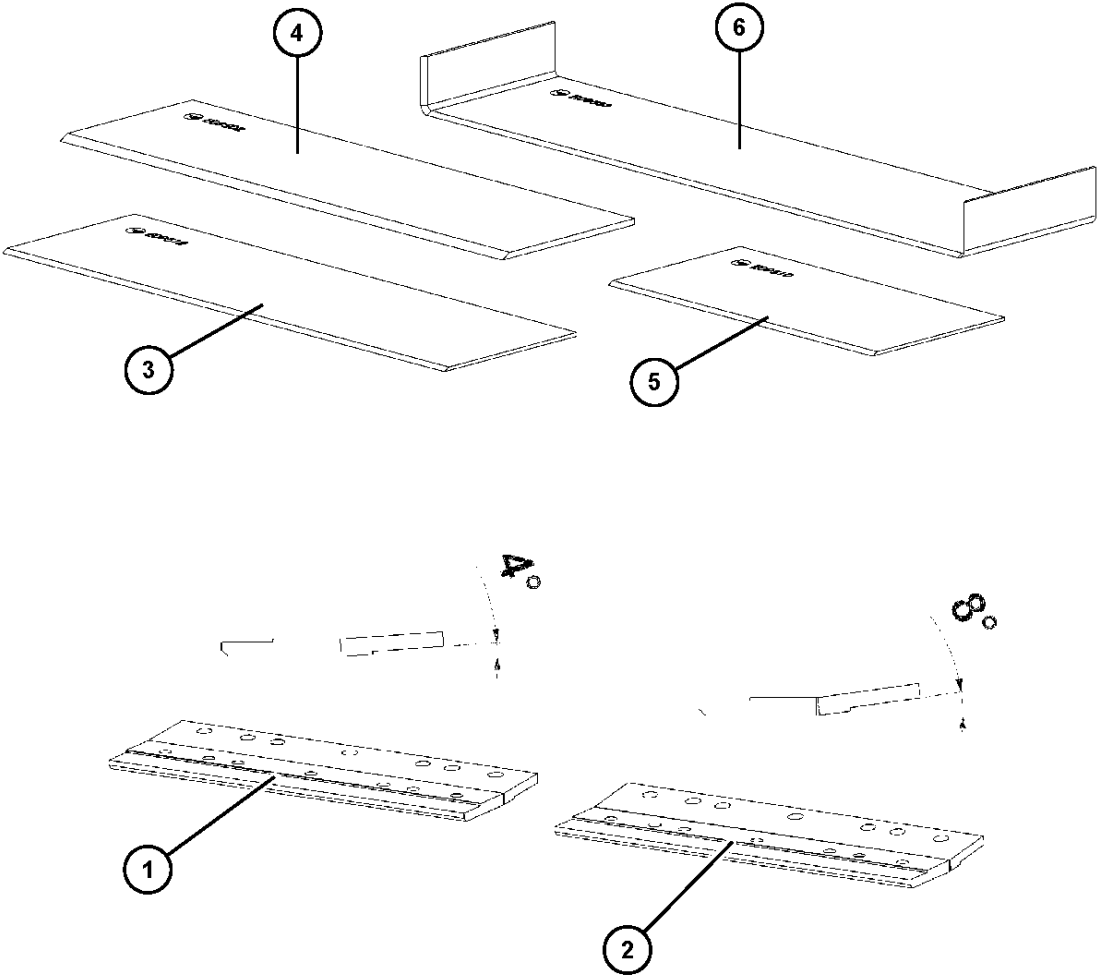
Ref	Part No	Description	Remark	QTY KIT
5	900 00 00-02	DUMMY PART	DUMMY PART	4

**BS 75
AXLE SUPPORT KIT**



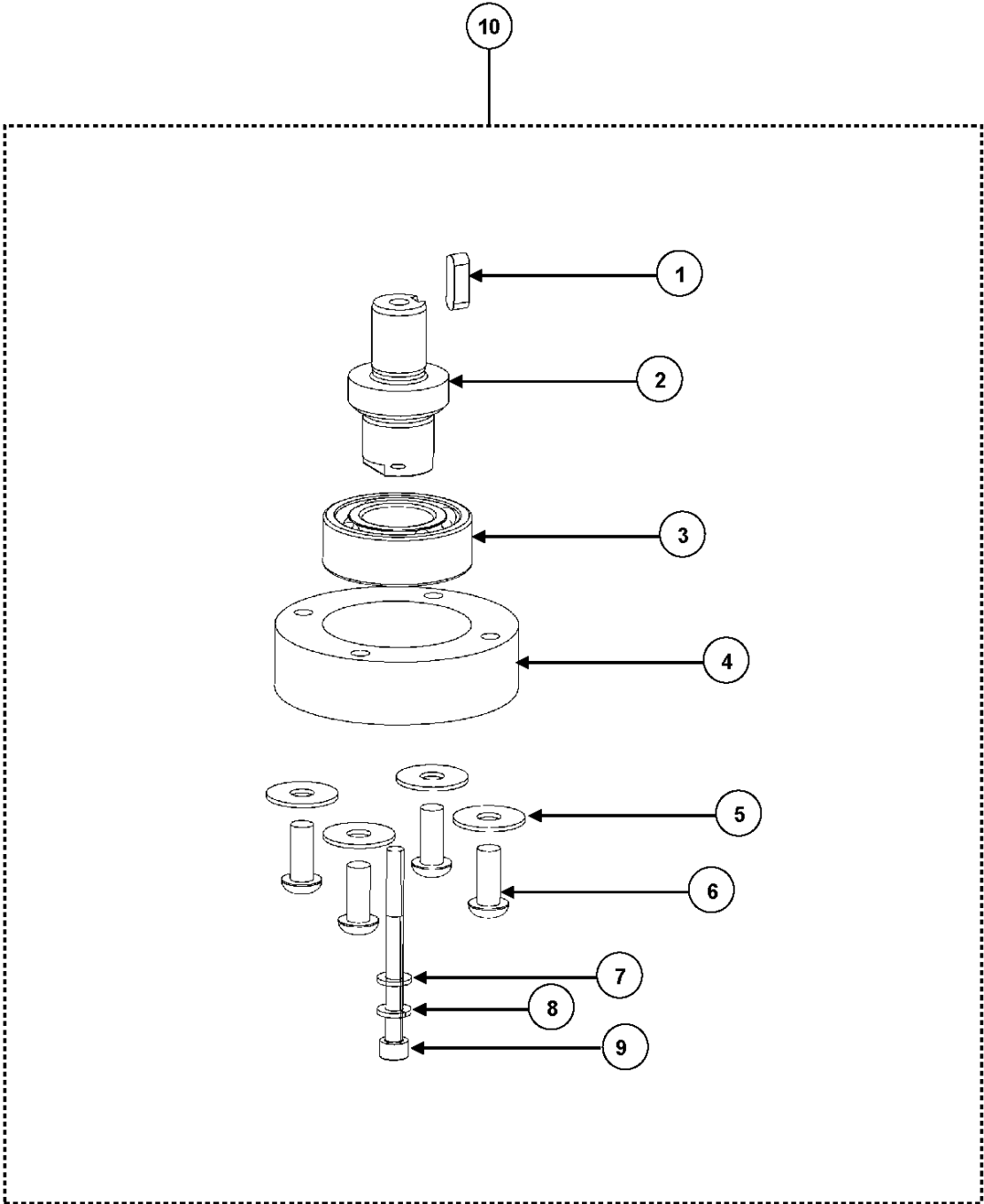
Ref	Part No	Description	Remark	QTY KIT
6	535 89 77-01	SCREW	SCREW	4
7	534 69 15-01	WASHER	WASHER	1
8	533 48 19-01	WASHER	WASHER	1

**BS 75
TOOLS & ACCESSORIES**



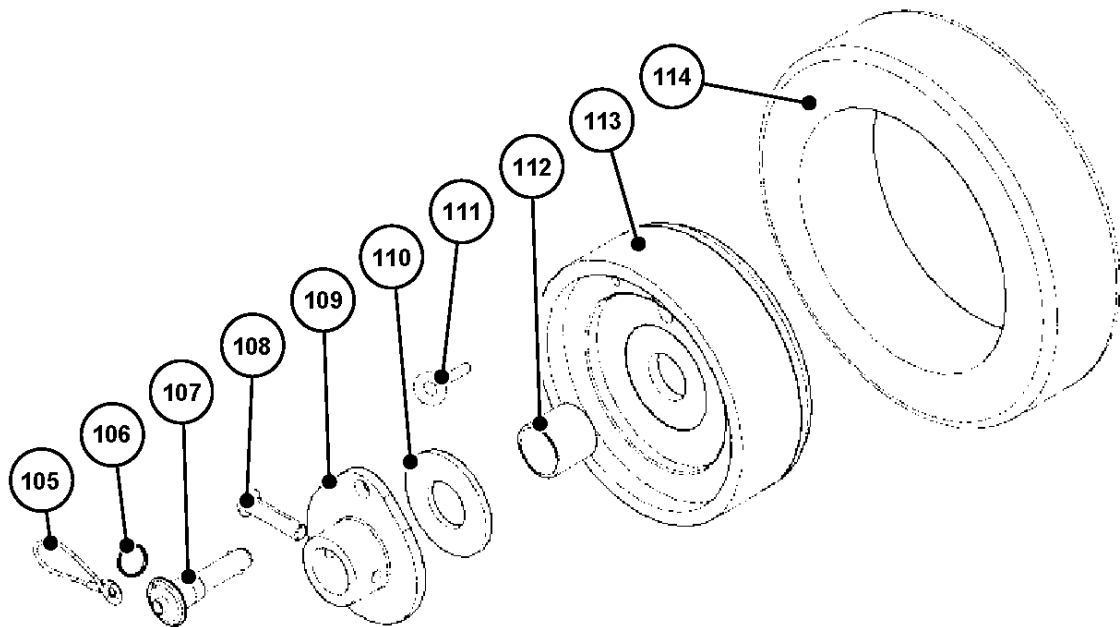
Ref	Part No	Description	Remark	QTY KIT
9	900 00 00-02	DUMMY PART	DUMMY PART	1

**BS 75
AXLE SUPPORT KIT**



Ref	Part No	Description	Remark	QTY KIT
10	534 30 43-01	AXLE	AXLE	1

**BS 75
DRIVE WHEEL**

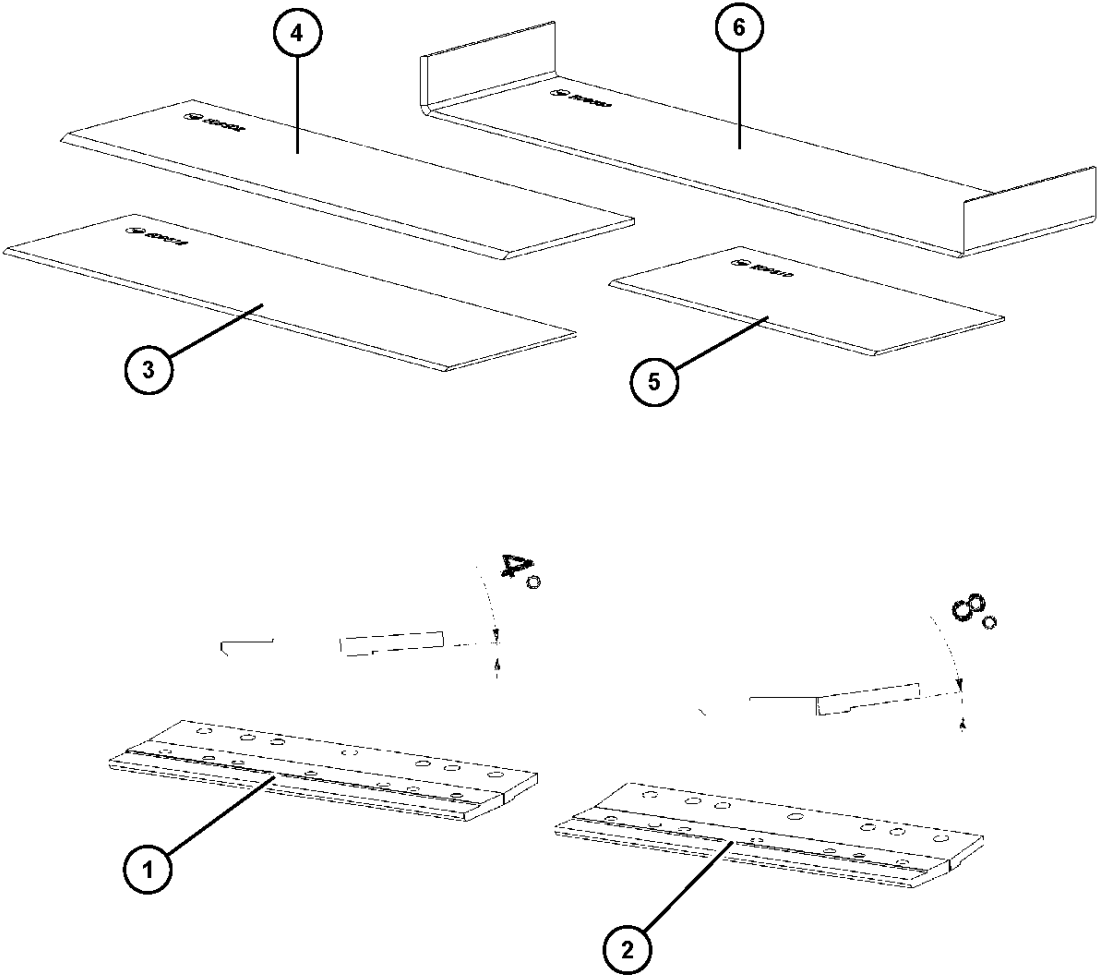


DRIVE WHEEL ASSY

BS 75, 2022-04

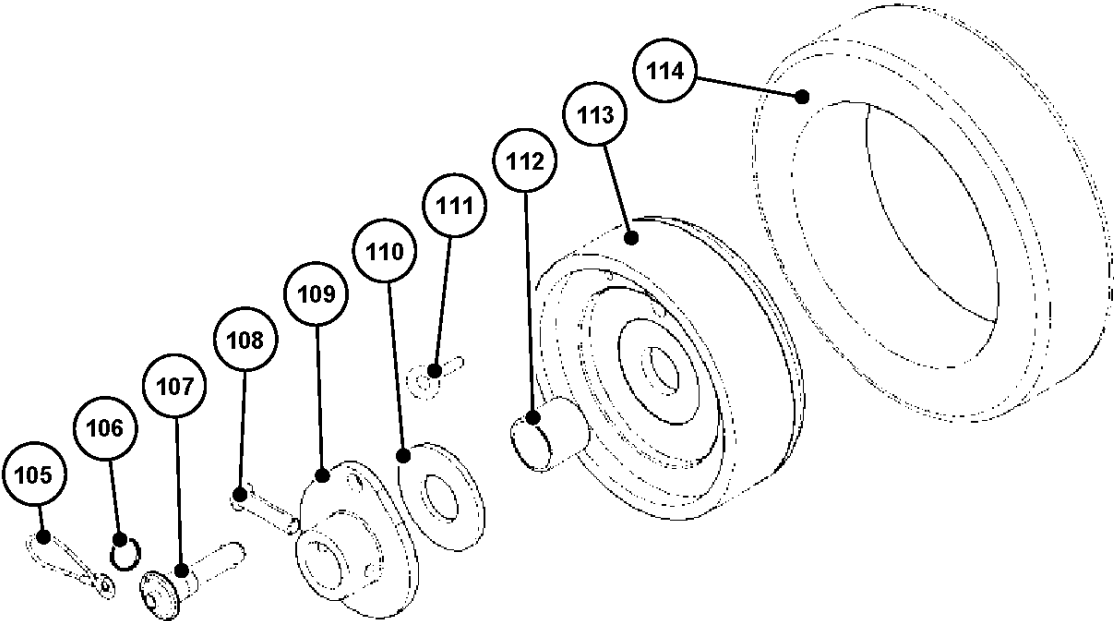
Ref	Part No	Description	Remark	QTY KIT
105	534 37 56-01	CABLE	CABLE	1
106	534 85 92-01	RING	RING	1
107	533 65 37-01	PIN	PIN	1

**BS 75
TOOLS & ACCESSORIES**



Ref	Part No	Description	Remark	QTY KIT
108	900 00 00-02	DUMMY PART	DUMMY PART	1

**BS 75
DRIVE WHEEL**

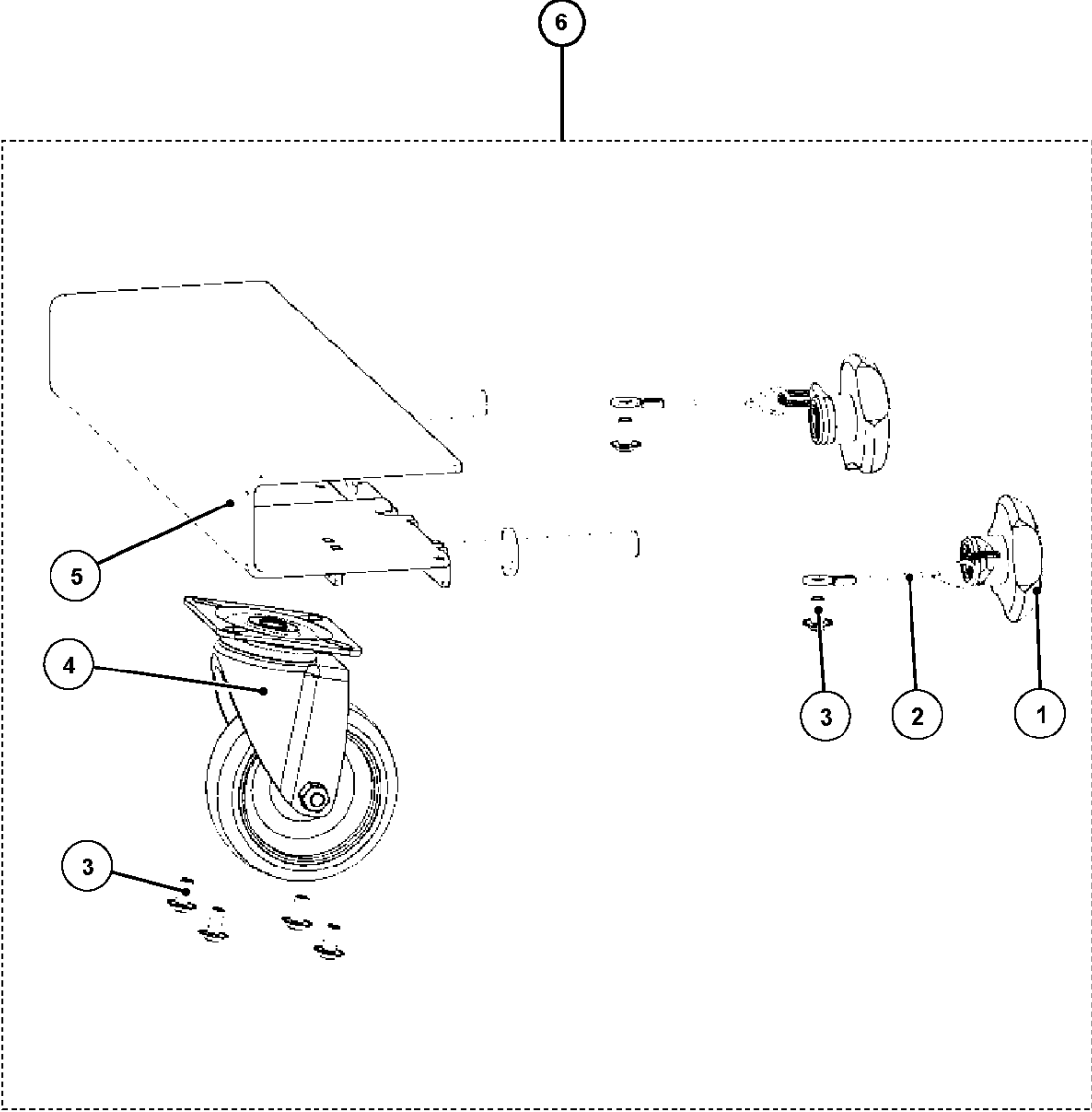


DRIVE WHEEL ASSY

BS 75, 2022-04

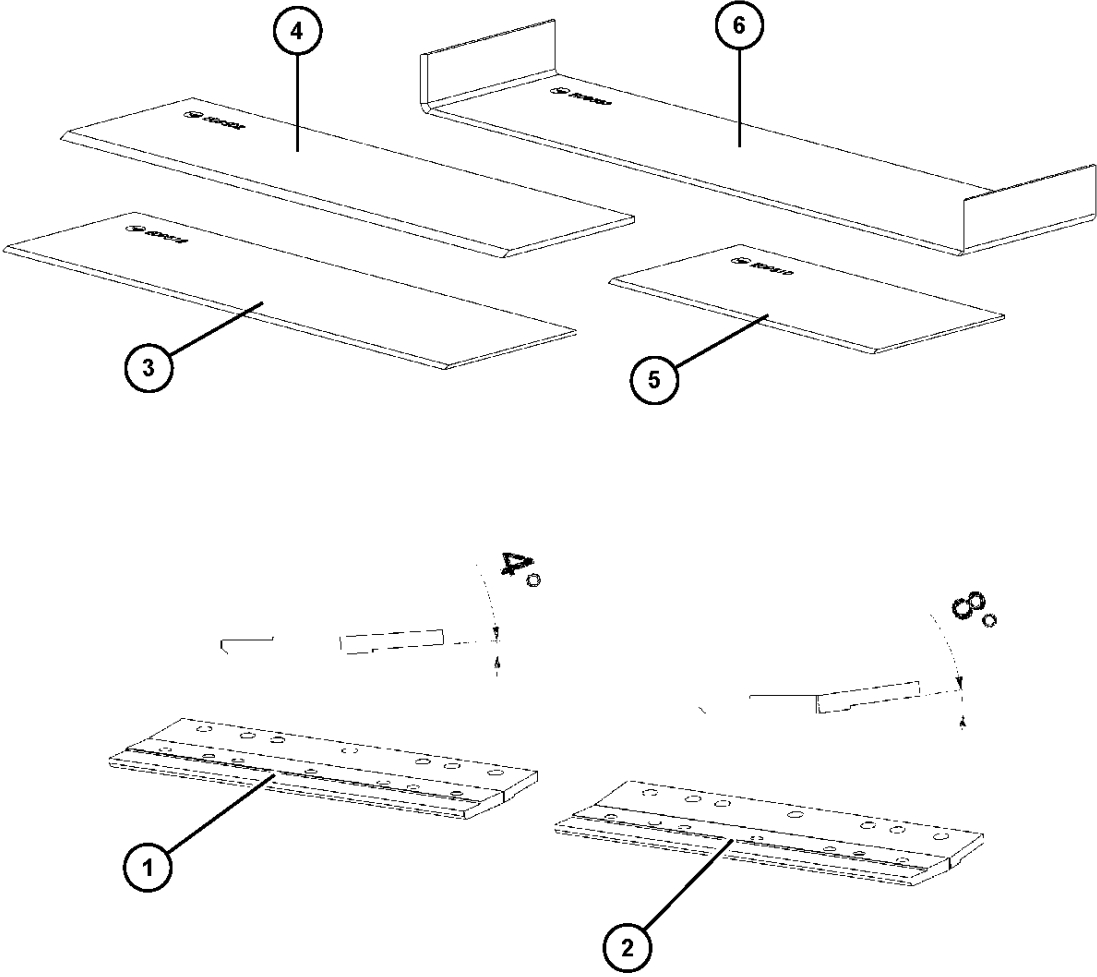
Ref	Part No	Description	Remark	QTY KIT
109	534 94 02-01	HUB	HUB	1
110	536 46 70-01	WASHER	WASHER	1
111	534 69 07-01	BOLT	BOLT	1
112	533 11 12-01	BEARING	BEARING	1
113	534 94 07-01	INSERT	INSERT	1
114	534 94 29-01	TIRE	TIRE	1
115	533 52 92-01	WHEEL	WHEEL	1

**BS 75
BLADE PROTECTION, COMPLETE**



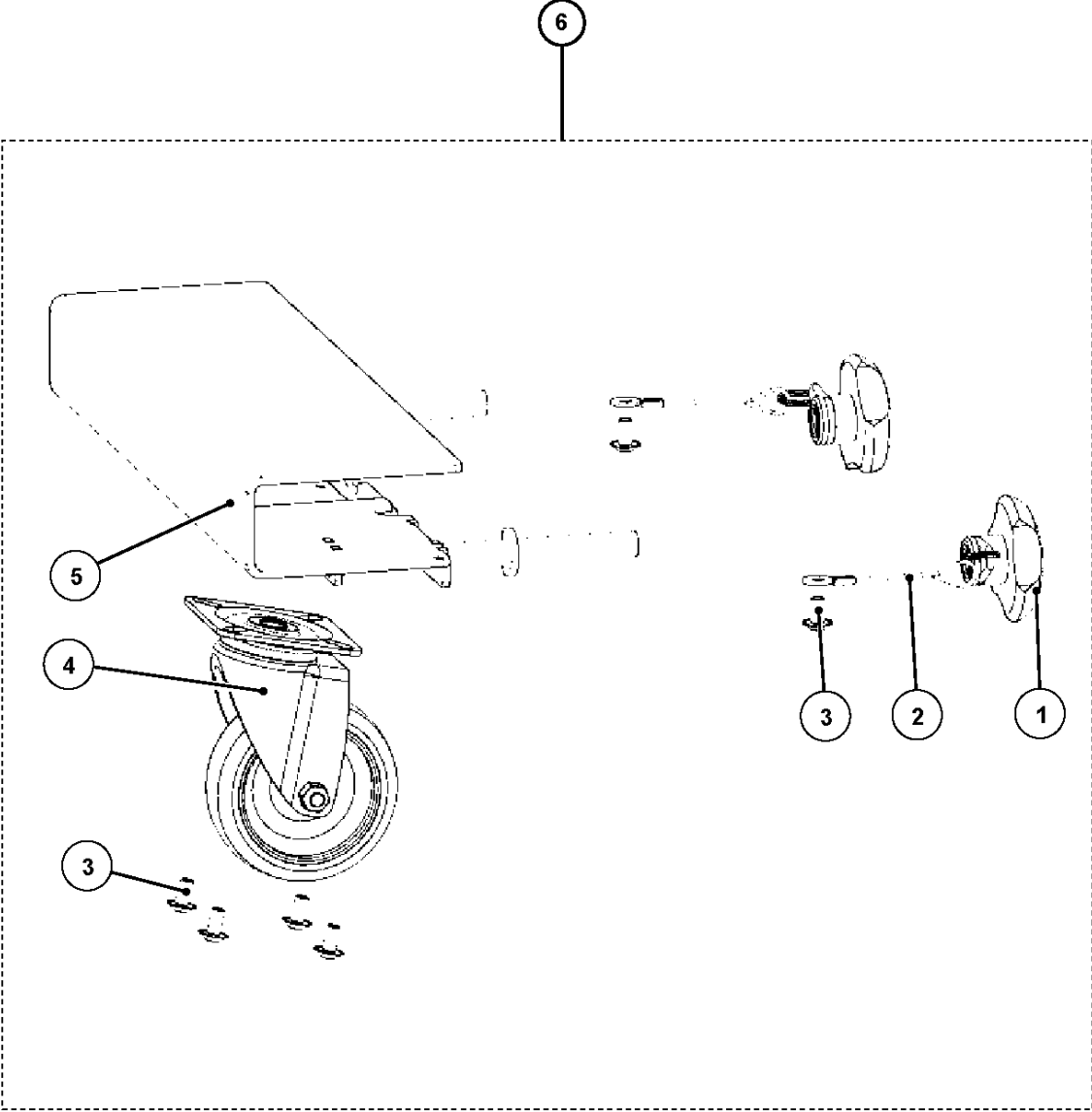
Ref	Part No	Description	Remark	QTY KIT
1	534 67 66-01	KNOB	KNOB	2
2	534 37 56-01	CABLE	CABLE	2

**BS 75
TOOLS & ACCESSORIES**

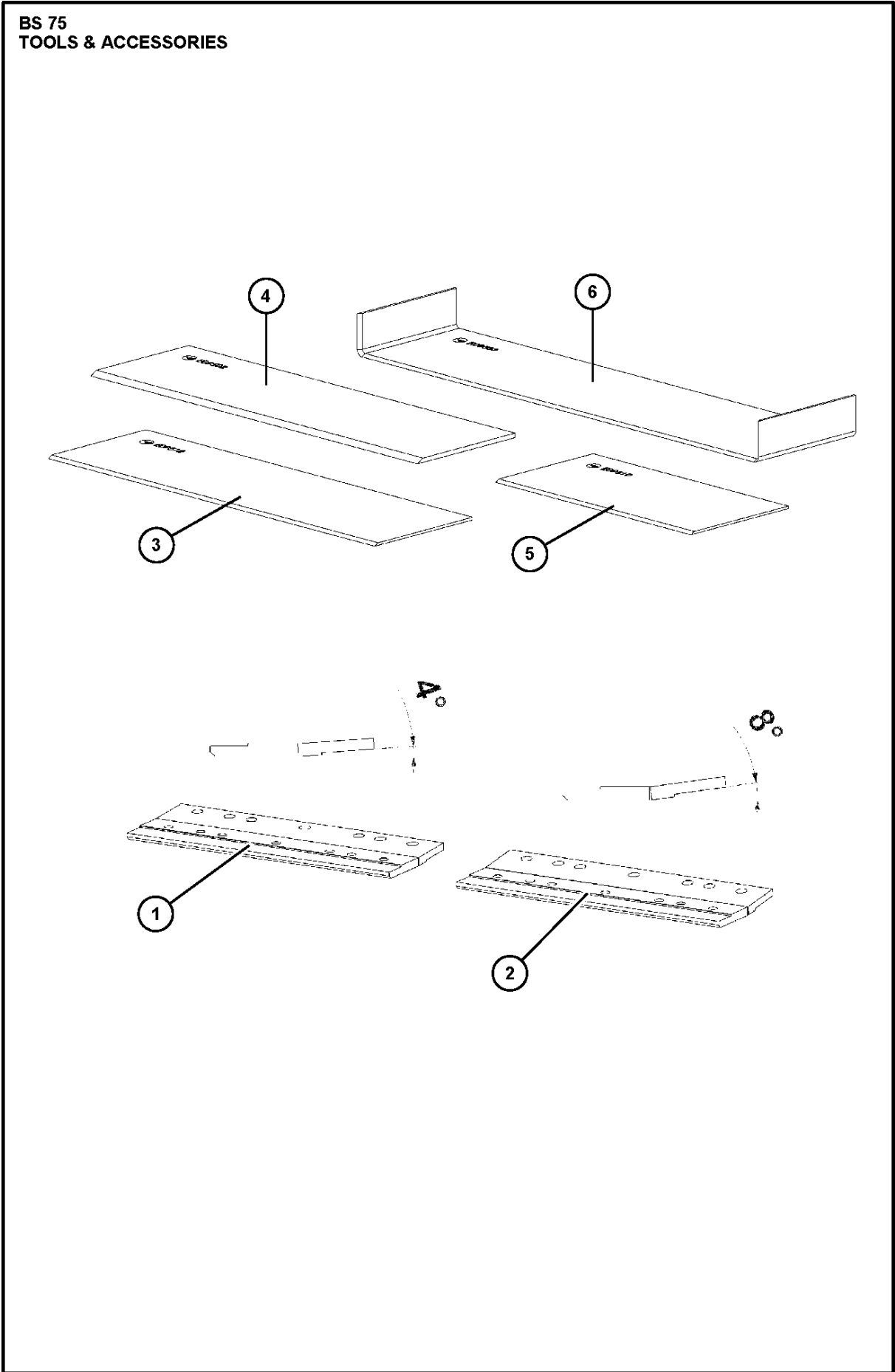


Ref	Part No	Description	Remark	QTY KIT
3	900 00 00-02	DUMMY PART	DUMMY PART	6

**BS 75
BLADE PROTECTION, COMPLETE**



Ref	Part No	Description	Remark	QTY KIT
4	534 88 27-01	SWIVEL	SWIVEL	1
5	535 10 88-01	PROTECTION	PROTECTION	1

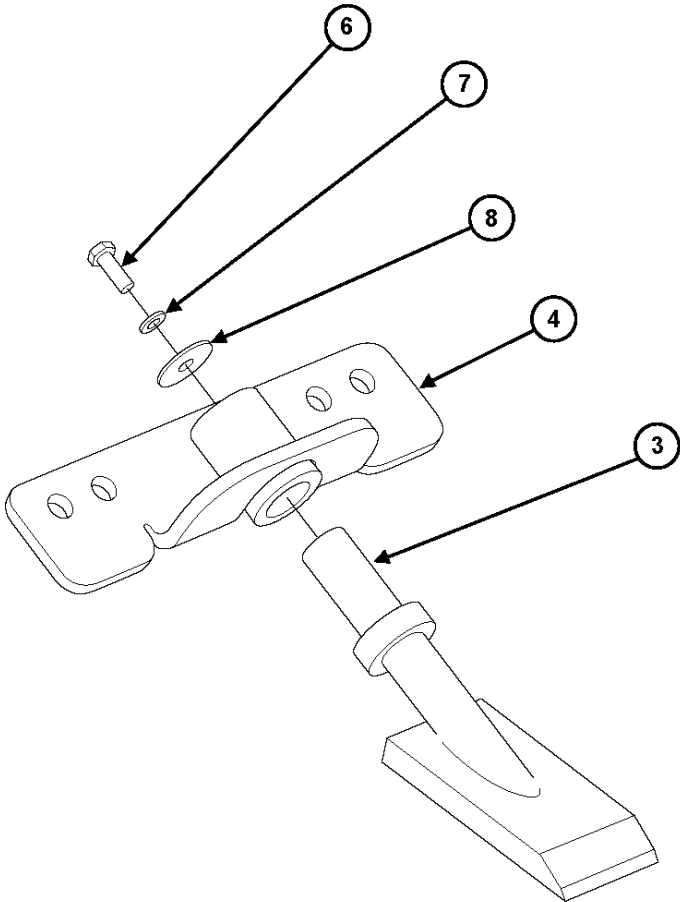


TOOLS AND ACCESSORIES

BS 75, 2022-04

Ref	Part No	Description	Remark	QTY KIT
1	533 75 44-01	ANGLE LIMITER	ANGLE LIMITER	1
2	533 75 43-01	ANGLE LIMITER	ANGLE LIMITER	1

**BS 75
CHISEL**

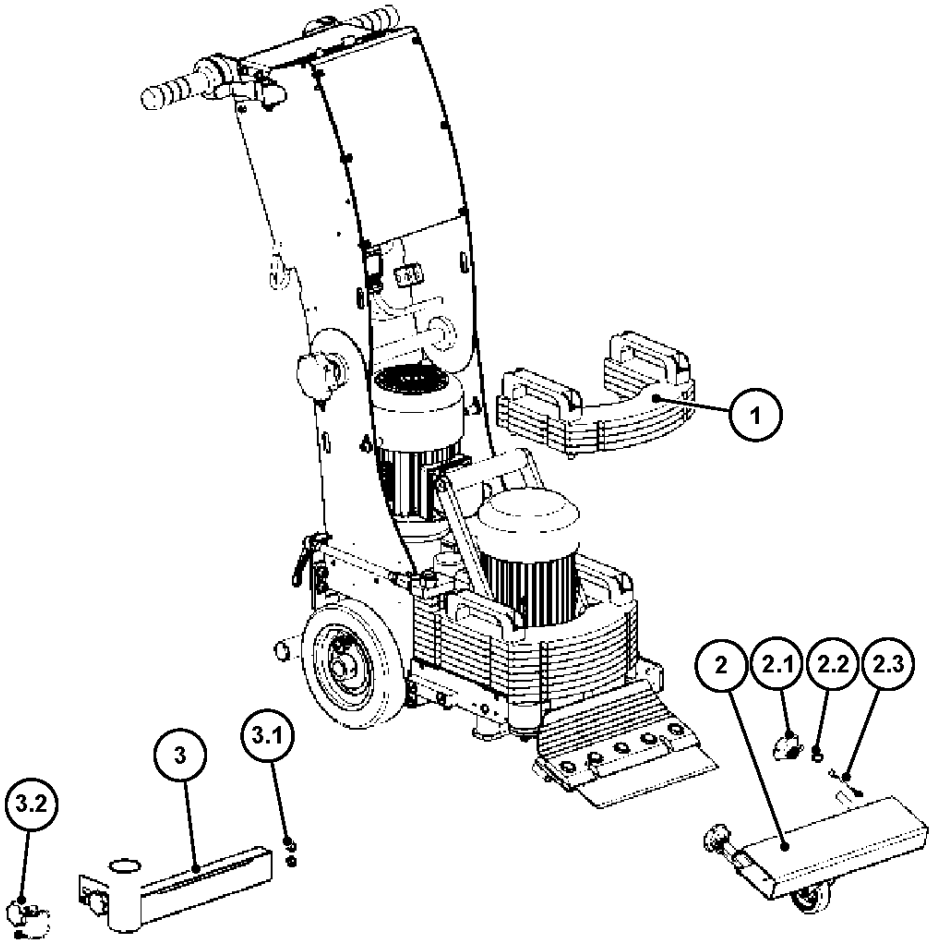


TOOLS AND ACCESSORIES

BS 75, 2022-04

Ref	Part No	Description	Remark	QTY KIT
3	533 81 21-01	CHISEL GUIDE	CHISEL GUIDE	1
4	533 32 71-01	HOLDER	HOLDER	1
6	534 69 23-01	SCREW	SCREW	1
7	534 69 15-01	WASHER	WASHER	1
8	534 69 29-01	WASHER	WASHER	1

**BS 75
MISC SPARE PARTS**



Ref	Part No	Description	Remark	QTY KIT
1	533 11 48-01	WEIGHT KIT	WEIGHT KIT	1
2	534 37 56-01	CABLE	CABLE	2
2	534 67 66-01	KNOB	KNOB	2
2	534 85 92-01	RING	RING	2
2	533 62 33-01	BLADE	BLADE	1
3	534 37 83-01	CABLE ASSY	CABLE ASSY	2
3	534 60 34-01	GROMMET	GROMMET	2
3	534 87 42-01	BAR	BAR	1