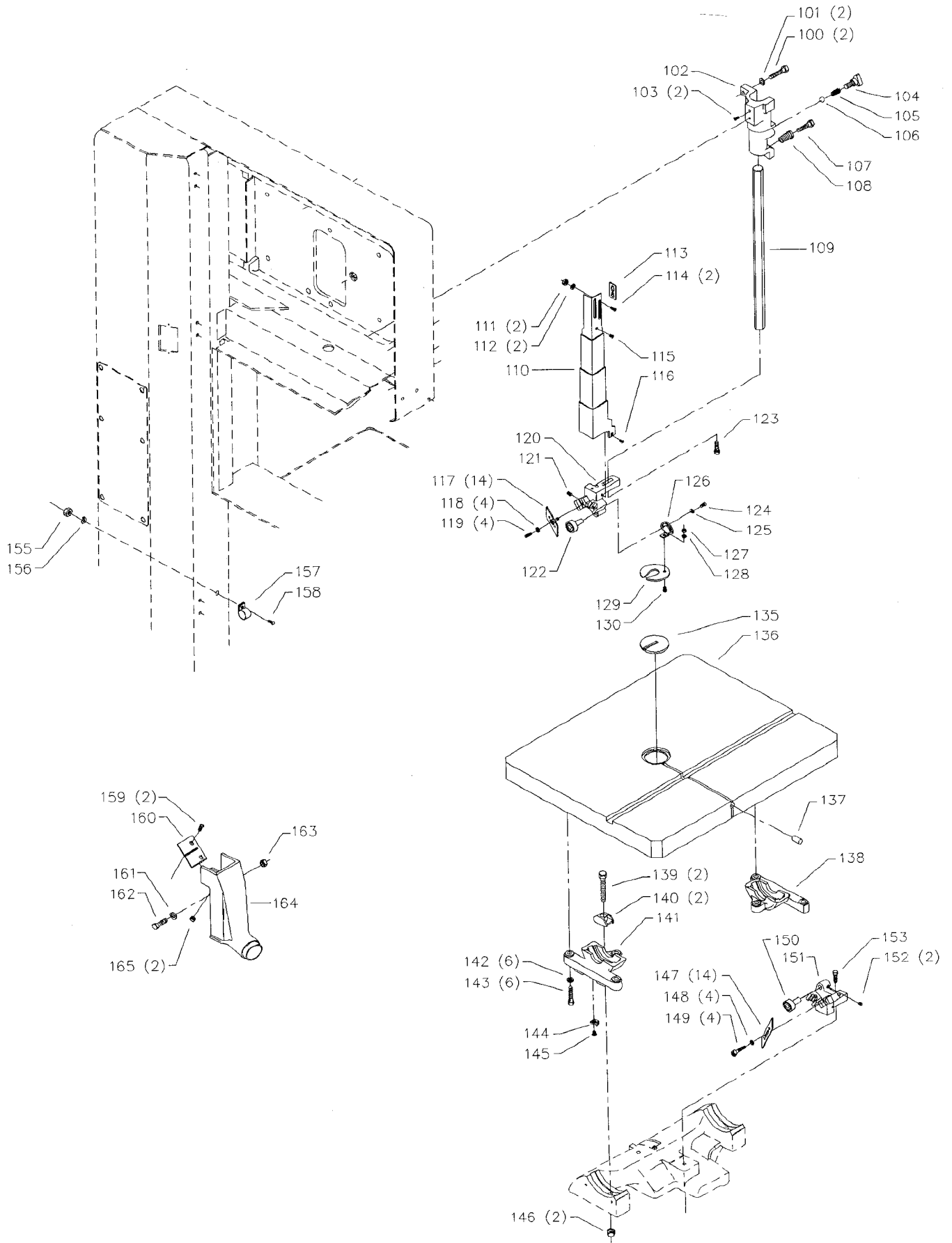


REPLACEMENT PARTS

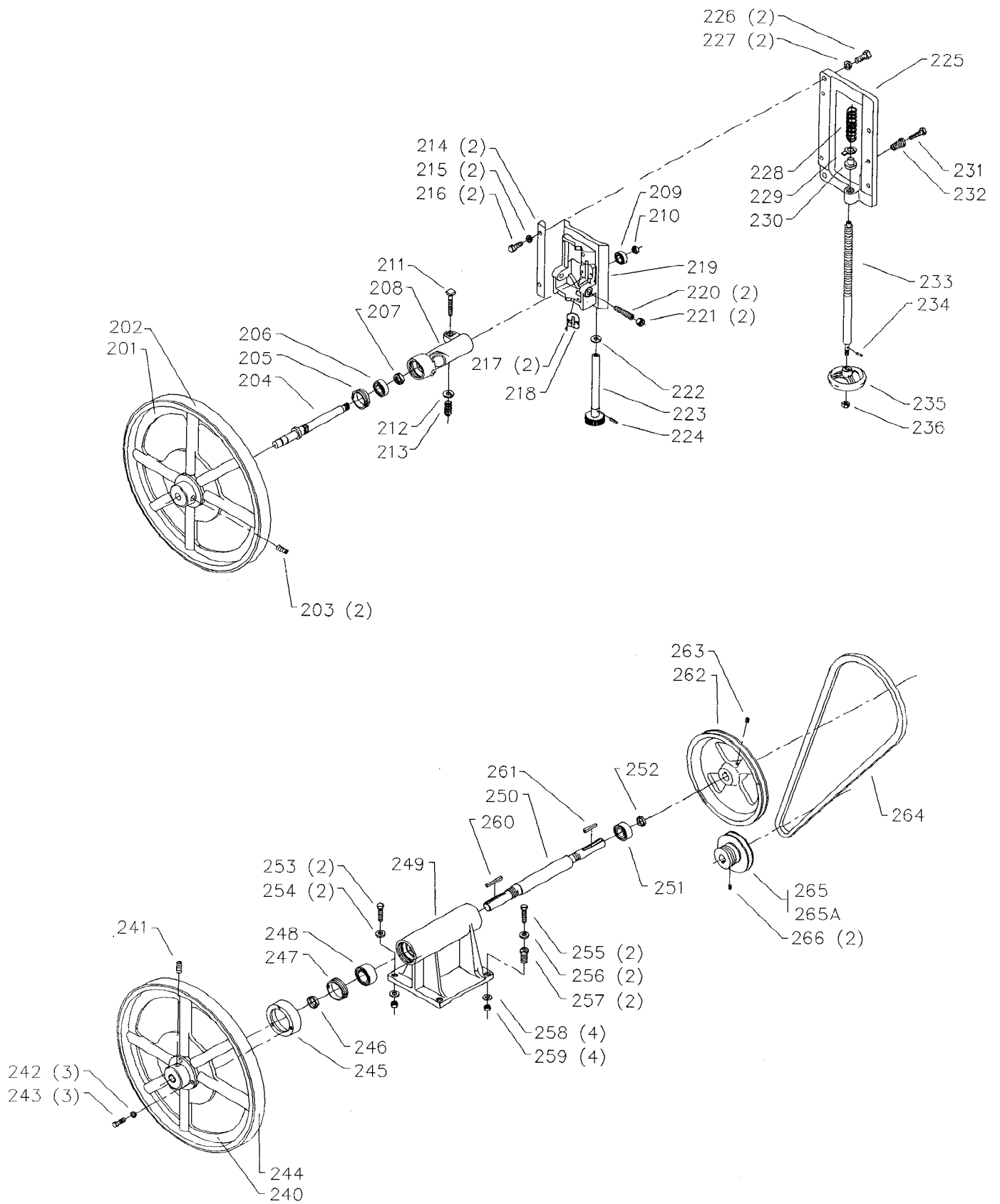
REF NO	PART NUMBER	DESCRIPTION
1	426-04-318-5007	FRAME ASSY
2	426-05-031-5007	PLATE
3	901-02-010-0502	1/4-20 X 1/4" ROUND HD SCREW
4	904-03-020-1775	3/16" INT TOOTH WASHER
5	901-02-140-0584	#10-32 X 3/8" BIND HD SCREW
6	901-06-450-2250	#04 X 3/16" ROUND HD SCREW
7	426-04-754-0001	NAMEPLATE
8	426-05-331-5003	UPPER DOOR ASSY, INCL:
9	426-00-752-0006	WARNING LABEL
10	902-01-120-1203	#10-32 HEX NUT
11	904-03-020-1775	3/16" INT TOOTH WASHER
12	426-05-068-5001	LATCH
13	901-02-010-0561	#10-32 X 3/8" ROUND HD SCREW
14	426-05-063-5006	INSERT HANDLE
15	426-05-331-5012	LOWER DOOR ASSY, INCL:
16	902-01-120-1203	#10-32 HEX NUT
17	904-03-020-1775	3/16" INT TOOTH WASHER
18	426-05-068-5001	LATCH
19	901-02-010-0561	#10-32 X 3/8" ROUND HD SCREW
20	426-05-063-5006	INSERT HANDLE
22	426-05-106-5012	MOTOR PLATE SHAFT
23	904-15-010-7008	EXT RET RING
24	904-03-030-1656	5/16" EXT TOOTH WASHER
25	1202596	STUD
26	904-02-010-1703	5/16" LOCK WASHER
27	902-01-020-5435	5/16-18 JAM NUT
28	426-05-072-5028	PLATE
30	426-04-017-5001	BRASS BUSHING
31	901-04-020-0346	1/2-13 X 3/4" HEX SOC SET SCREW
32	426-04-067-5002	TREADLE
33	928-05-001-5878	WASHER
34	905-05-040-2105	3/32" X 3/4" COTTER PIN
35	426-04-106-5001	STEEL PIN
36	426-04-014-5003	BRACKET
37	901-01-060-0648	3/8-16 X 1 1/4" HEX HD SCREW
38	426-04-079-5007	RETAINER
39	904-01-010-1615	FLAT WASHER
40	904-02-020-1704	3/8" LOCK WASHER
41	902-02-040-1307	3/8-16 SQUARE NUT
42	426-04-315-5001	BRAKE SHOE
43	902-01-010-5900	3/8-16 JAM NUT
44	904-01-010-1606	3/8" FLAT WASHER
45	426-04-108-5003	BRAKE ROD
46	928-01-301-8880	SPRING
47	904-01-010-1606	3/8" FLAT WASHER
48	905-05-040-2107	1/8" X 3/4" COTTER PIN
49	426-04-067-5001	LEVER
50	901-04-150-0210	1/2-13 X 1/2" HEX SOC SET SCREW
51	426-04-106-5008	SHAFT
52	904-10-021-2096	COLLAR
53	901-04-150-0206	5/16-18 X 5/16" HEX SOC SET SCREW
54	426-04-017-5001	BRASS BUSHING
55	901-01-060-0642	3/8-16 X 1" HEX HD SCREW
56	426-04-004-5003	STOP BAR
57	901-04-020-0306	1/4-20 X 3/4" HEX SOC SET SCREW
58	902-01-120-1034	1/4-20 HEX NUT
59	426-04-014-5012	BRACKET
60	426-05-072-5032	SCALE
61	901-06-450-2252	#02 X 3/16" ROUND HD SCREW
62	426-05-031-5018	REAR COVER
63	426-05-063-5006	INSERT HANDLE
64	901-02-140-0584	#10-32 X 3/8" BIND HD SCREW
65	426-04-112-5001	THREADED BUSHING
66	901-01-060-3102	3/8-16 X 1 3/4" HEX HD SCREW
67	904-01-010-1615	FLAT WASHER
68	901-01-060-0648	3/8-16 X 1 1/4" HEX HD SCREW



REPLACEMENT PARTS

REF NO	PART NUMBER	DESCRIPTION
100	901-01-060-0617	3/8-16 X 1 1/2" HEX HD SCREW
101	904-01-010-1615	FLAT WASHER
102	426-04-014-5011	BRACKET
103	901-02-010-0593	#10-24 X 3/8" ROUND HD SCREW
104	426-04-412-0001	KNOB ASSY
105	928-01-041-3361	COIL SPRING
106	921-01-010-0031	STEEL BALL
107	901-01-060-3102	3/8-16 X 1 3/4" HEX HD SCREW
108	426-04-112-5001	THREADED BUSHING
109	426-04-110-5003	GUIDE POST
110	426-05-354-5002	BLADE GUARD, INCL:
111	902-01-120-1203	#10-32 HEX NUT
112	904-03-020-1775	3/16" INT TOOTH WASHER
113	426-05-014-5020	GUARD BRACKET
114	901-02-010-7562	#10-32 X 5/16" ROUND HD SCREW
115	901-02-010-0558	#08-32 X 1/4" ROUND HD SCREW
116	901-02-010-0558	#08-32 X 1/4" ROUND HD SCREW
*	426-05-355-5008	UPPER BLADE GUARD, CONST OF:
117	426-05-063-5008	INSERT
118	904-01-010-1614	1/4" FLAT WASHER
119	901-03-010-0760	1/4-20 X 1 1/4" HEX SOC HD SCREW
120	426-05-014-5036	BRACKET
121	901-04-150-0206	5/16-18 X 5/16" HEX SOC SET SCREW
122	426-05-380-5001	ROLLER ASSY
123	901-01-060-0649	5/16-18 X 1" HEX HD SCREW
124	901-02-140-0584	#10-32 X 3/8" BIND HD SCREW
125	904-01-010-1609	FLAT WASHER
126	426-04-014-5013	GUARD BRACKET
127	902-01-120-1203	#10-32 HEX NUT
128	904-03-030-1795	3/16" EXT TOOTH WASHER
129	1200464	FINGER GUARD
130	901-02-140-0584	#10-32 X 3/8" BIND HD SCREW
135	426-04-063-5001	INSERT
136	426-05-391-0001	TABLE, INCL:
137	426-02-071-0001	PIN
138	426-04-095-5002	REAR TRUNNION
139	901-01-060-3114	7/16-14 X 2 1/2" HEX HD SCREW
140	426-02-027-0001	CLAMP SHOE
141	426-04-095-5001	FRONT TRUNNION
142	904-02-020-1704	3/8" LOCK WASHER
143	901-01-060-0617	3/8-16 X 1 1/2" HEX HD SCREW
144	402-05-075-5001	POINTER
145	901-02-010-0502	1/4-20 X 1/4" ROUND HD SCREW
146	902-01-040-1004	7/16-14 JAM NUT
*	426-05-355-5008	LOWER BLADE GUIDE, CONST OF:
147	426-05-063-5008	INSERT
148	904-01-010-1614	1/4" FLAT WASHER
149	901-03-010-0760	1/4-20 X 1 1/4" HEX SOC HD SCREW
150	426-05-380-5001	ROLLER ASSY
151	426-05-014-5036	BRACKET
152	901-04-150-0206	5/16-18 X 5/16" HEX SOC SET SCREW
153	901-01-060-0649	5/16-18 X 1" HEX HD SCREW
155	902-01-120-1203	#10-32 HEX NUT (For Use with 28-651 Only)
156	904-02-020-1725	3/16" LOCK WASHER (For Use with 28-651 Only)
157	438-01-004-0082	CABLE CLAMP (For Use with 28-651 Only)
158	901-02-140-0584	#10-32 X 3/8" BIND HD SCREW (For Use with 28-651 Only)
159	901-02-010-0559	#10-32 X 1/2" ROUND HD SCREW
160	426-04-036-5001	DEFLECTOR
161	904-01-010-1615	FLAT WASHER
162	901-01-060-0648	3/8-16 X 1 1/4" HEX HD SCREW
163	902-01-040-1026	3/8-16 HEX NUT
164	426-04-026-5001	DUST CHUTE
165	902-01-120-1203	#10-32 HEX NUT

* NOT SHOWN ASSEMBLED



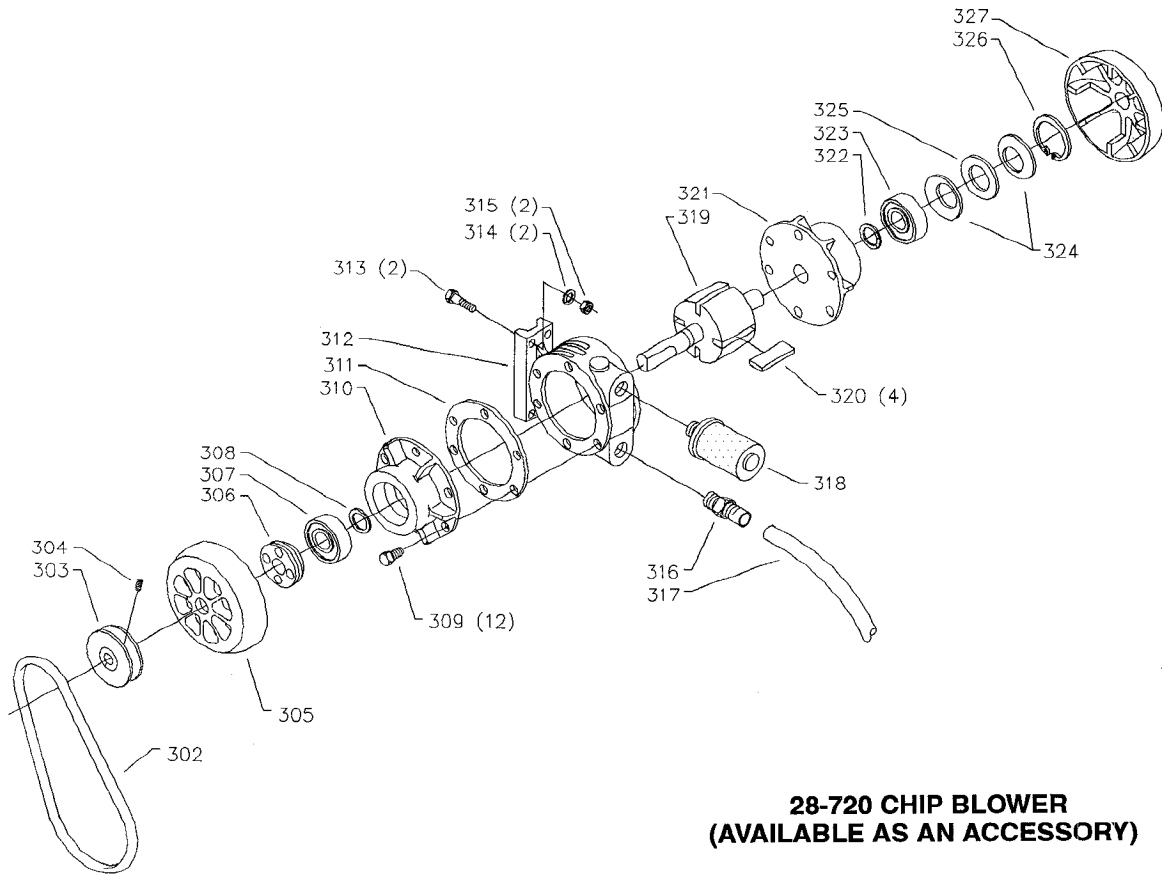
REPLACEMENT PARTS

<u>REF NO</u>	<u>PART NUMBER</u>	<u>DESCRIPTION</u>	<u>REF NO</u>	<u>PART NUMBER</u>	<u>DESCRIPTION</u>
201	426-04-400-5001	UPPER WHEEL, INCL:	240	426-04-400-5002	LOWER WHEEL, INCL:
202	426-04-094-5002	TIRE	241	901-04-150-1133	1/2-20 X 3/4" HEX SOC SET SCREW
203	901-04-150-1133	1/2-20 X 3/4" HEX SOC SET SCREW	242	904-02-020-1702	1/4" LOCK WASHER
*	426-05-358-5002	UPPER HEADSTOCK, CONST OF:	243	901-01-060-0623	1/4-20 X 1" HEX HD SCREW
204	426-05-106-5005	SHAFT	244	426-04-094-5002	TIRE
205	406-03-079-0001	SPANNER NUT	245	426-04-015-5003	BRAKE DRUM
206	920-04-020-5383	BALL BEARING	*	426-04-358-5001	LOWER HEADSTOCK, CONST OF:
207	426-04-079-5006	JAM NUT	246	426-04-079-5005	JAM NUT
208	426-05-058-5002	HEADSTOCK	247	426-04-079-5004	SPANNER NUT
209	920-08-020-5336	BALL BEARING	248	920-04-021-6559	BALL BEARING
210	902-01-201-2558	19/32-24 HEX NUT	249	426-04-058-5002	HEADSTOCK
211	901-11-010-2371	3/8-16 X 2 1/2" SQUARE HD SCREW	250	426-04-106-5006	DRIVE SHAFT
212	904-01-010-1606	3/8" FLAT WASHER	251	920-04-022-4020	BALL BEARING
213	928-01-041-4148	COIL SPRING	252	426-04-079-5006	JAM NUT
214	426-04-052-5001	GIB	253	901-01-060-0648	3/8-16 X 1 1/4" HEX HD SCREW
215	904-02-020-1704	3/8" LOCK WASHER	254	904-01-010-1615	FLAT WASHER
216	901-01-060-0642	3/8-16 X 1" HEX HD SCREW	255	901-01-060-3102	3/8-16 X 1 3/4" HEX HD SCREW
217	901-02-010-0567	#06-32 X 1/4" ROUND HD SCREW	256	904-01-010-1606	3/8" FLAT WASHER
218	426-04-072-5009	TENSION SCALE	257	426-04-112-5001	THREADED BUSHING
219	426-05-084-5002	SLIDE	258	904-01-010-1606	3/8" FLAT WASHER
220	901-04-530-6149	SPECIAL SCREW	259	902-01-040-1026	3/8-16 HEX NUT
221	902-01-020-1266	1/2-13 JAM NUT	260	927-03-010-2653	KEY
222	904-01-010-1606	3/8" FLAT WASHER	261	927-03-010-2620	KEY
223	426-05-409-5001	EXTENSION, INCL:	262	1201866	2 STEP DRIVE PULLEY, INCL:
224	905-01-010-2704	1/8" X 3/4" SPRING PIN	263	901-04-150-0231	5/16-18 X 3/8" HEX SOC SET SCREW
225	426-04-072-5007	SLIDE PLATE	264	925-01-012-1066	V-BELT
226	901-01-060-0628	1/2-13 X 1" HEX HD SCREW	265	41-709	MOTOR PULLEY (7/8" BORE), INCL:
227	904-02-020-1705	1/2" LOCK WASHER	266	901-04-150-1185	1/4-20 X 5/16" HEX SOC SET SCREW
228	928-01-041-4149	COIL SPRING	**	438-01-004-0007	CORD CONNECTOR
229	951-01-011-3992	POINTER	**	426-00-752-0006	WARNING LABEL
230	426-04-074-5001	SPRING CAP			
231	901-01-060-3102	3/8-16 X 1 3/4" HEX HD SCREW			
232	426-04-112-5001	THREADED BUSHING			
233	1201927	TENSION SCREW			
234	905-01-010-2711	1/8" X 5/8" SPRING PIN	265A	41-710	MOTOR PULLEY, (1 1/8" BORE), INCL:
235	930-01-033-1336	HANDWHEEL	266	901-04-150-1185	1/4-20 X 5/16" HEX SOC SET SCREW
236	902-01-010-5900	3/8-16 JAM NUT			

AVAILABLE AS AN ACCESSORY

* NOT SHOWN ASSEMBLED
 ** NOT SHOWN

REPLACEMENT PARTS



**28-720 CHIP BLOWER
(AVAILABLE AS AN ACCESSORY)**

REF NO	PART NUMBER	DESCRIPTION	REF NO	PART NUMBER	DESCRIPTION
*	28-720	CHIP BLOWER, CONST OF:	315	902-01-120-1034	1/4-20 HEX NUT
**	426-05-361-5001	HOSE ASSY (SPOUT W/NOZZLE)	316	906-00-000-8720	FITTING
302	908-13-061-7669	BELT	317	426-05-061-5001	HOSE
303	41-052	PULLEY, INCL:	318	426-05-346-5003	FILTER ASSY
304	901-04-150-0206	5/16-18 X 5/16" HEX SOC SET SCREW	319	426-05-002-5001	ARBOR
305	438-01-033-0012	FAN	320	426-05-063-5009	INSERT
306	426-05-020-5001	CAP	321	426-05-072-5034	END PLATE - RH
307	1086894	BALL BEARING	322	426-05-036-5001	DEFLECTOR
308	426-05-036-5001	DEFLECTOR	323	1086894	BALL BEARING
309	901-01-060-0651	1/4-28 X 1/2" HEX HD SCREW	324	426-05-122-5001	SPRING
310	426-05-072-5035	END PLATE - LH	325	426-05-083-5001	SHIM WASHER
311	426-05-116-5003	GASKET	326	904-15-101-7147	RET RING
312	426-05-012-5005	BODY	327	438-01-033-0012	FAN
313	901-01-060-0623	1/4-20 X 1" HEX HD SCREW			
314	904-01-010-1620	FLAT WASHER	*	NOT SHOWN ASSEMBLED	
			**	NOT SHOWN	

STANDARD SAFETY EQUIPMENT

In order to promote tool safety, Delta International Machinery Corp. strictly enforces the policy of repairing or replacing any damaged or missing standard safety equipment on machines presented to Delta Authorized Service Center for service/repairs. Any product which is presented to a Delta Authorized Service Center for repairs which contains missing or damaged standard safety equipment will have that equipment repaired or replaced and the customer will be charged for any such service/repairs. Customers can avoid such charges only if the missing safety component is supplied to the service center at the time of repair.

This parts list is provided to aid in obtaining service parts. Copies of the instruction and maintenance literature can be obtained through the Delta Technical Publications Department or through your local service outlet.