



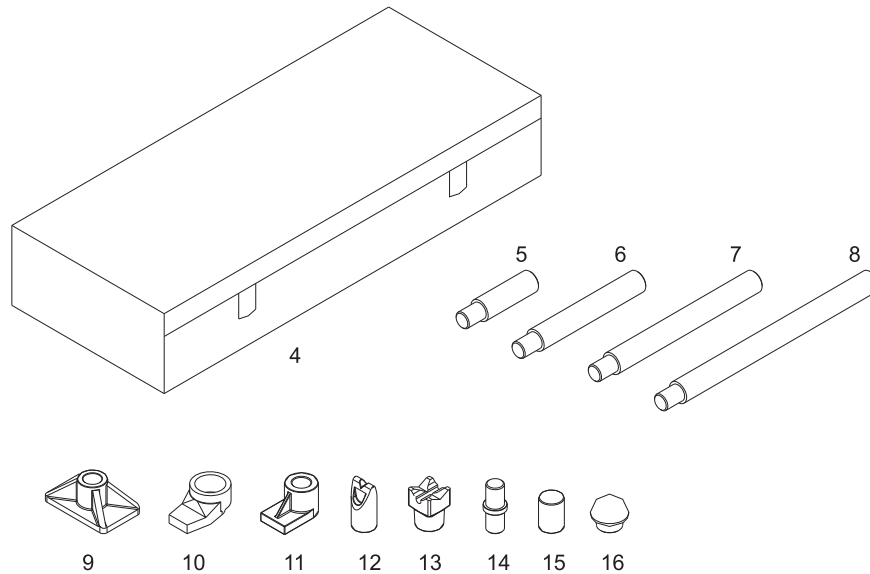
Operating Instructions and Parts Manual BRK-4T & 10T Hydraulic Body Repair Kits



JET
427 New Sanford Road
LaVergne, Tennessee 37086
Ph.: 800-274-6848
www.jettools.com

Part No. M-680014
Revision B1 05/2014
Copyright © 2014 JET

12.1.1 BRK-4T and 10T Attachments – Exploded View



12.1.2 BRK-4T Attachments – Parts List

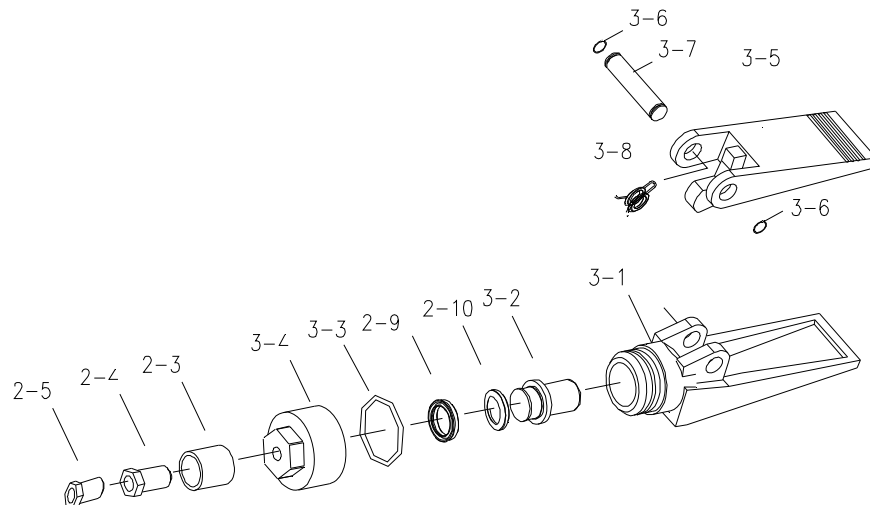
| Index No. | Part No. | Description | Size | Qty. |
|-----------|----------|------------------|---------|------|
| 4 | BRK4T-4 | Molded Case | | 1 |
| 5 | BRK4T-5 | Extension Tube A | 5-1/2" | 1 |
| 6 | BRK4T-6 | Extension Tube B | 9-1/4" | 1 |
| 7 | BRK4T-7 | Extension Tube C | 13-1/4" | 1 |
| 8 | BRK4T-8 | Extension Tube D | 17-1/4" | 1 |
| 9 | BRK4T-9 | Flat Base | | 1 |
| 10 | BRK4T-10 | Ram Toe | | 1 |
| 11 | BRK4T-11 | Plunger Toe | | 1 |
| 12 | BRK4T-12 | Wedge Head | | 1 |
| 13 | BRK4T-13 | Combination Head | | 1 |
| 14 | BRK4T-14 | Male Connector | | 1 |
| 15 | BRK4T-15 | Serrated Head | 1-3/8" | 1 |
| 16 | BRK4T-16 | Rubber Head | 2-1/4" | 1 |

12.1.3 BRK-10A Attachments – Parts List

| | | | | |
|----|-----------|------------------|---------|---|
| 4 | BRK10T-4 | Molded Case | | 1 |
| 5 | BRK10T-5 | Extension Tube A | 6-3/4" | 1 |
| 6 | BRK10T-6 | Extension Tube B | 11-3/4" | 1 |
| 7 | BRK10T-7 | Extension Tube C | 15-3/4" | 1 |
| 8 | BRK10T-8 | Extension Tube D | 20-1/2" | 1 |
| 9 | BRK10T-9 | Flat Base | | 1 |
| 10 | BRK10T-10 | Ram Toe | | 1 |
| 11 | BRK10T-11 | Plunger Toe | | 1 |
| 12 | BRK10T-12 | Wedge Head | | 1 |
| 13 | BRK10T-13 | Combination Head | | 1 |
| 14 | BRK10T-14 | Male Connector | | 1 |
| 15 | BRK10T-15 | Serrated Head | 2" | 1 |
| 16 | BRK10T-16 | Rubber Head | 3" | 1 |

12.2.1 1/2-Ton Hydraulic Spreader Assembly – Exploded View

BRK-4T and BRK-10T

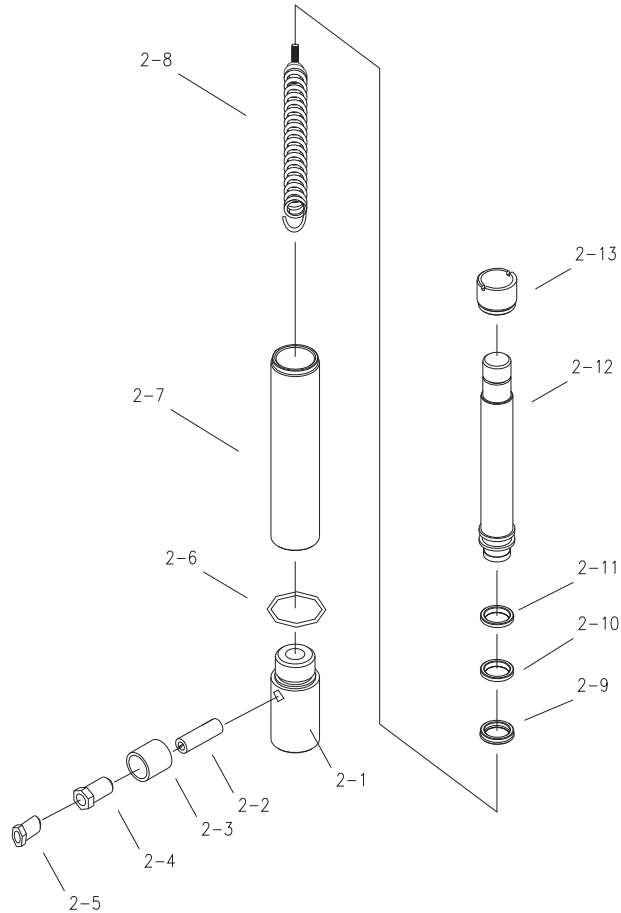


12.2.2 1/2-Ton Hydraulic Spreader Assembly – Parts List

BRK-4T and BRK-10T

| Index No. | Part No. | Description | Size | Qty |
|-----------|------------|---|------------|-----|
| 2-5 | | Dustproof Plug | | 1 |
| 2-4 | BRK4T-2-4 | Coupler Set (Index #2-3, 2-4, 2-5) | 1/4" | 1 |
| 2-3 | | Coupling Ring | | 1 |
| 3-4 | BRK4T-3-4 | End Cap | | 1 |
| 3-3 | BRK4T-3-3 | O-Ring | 32x3.55 mm | 1 |
| 2-9 | BRK4T-2-9 | Seal | 28x6 mm | 1 |
| 2-10 | BRK4T-2-10 | Nylon Gasket | | 1 |
| 3-2 | BRK4T-3-2 | Piston | | 1 |
| 3-1 | BRK4T-3-1 | Lower Spreader | | 1 |
| 3-5 | BRK4T-3-5 | Upper Spreader | | 1 |
| 3-6 | BRK4T-3-6 | Snap Ring | 12 mm | 2 |
| 3-7 | BRK4T-3-7 | Pivot Pin | | 1 |
| 3-8 | BRK4T-3-8 | Torsion Spring | | 1 |
| | RPK-BRKHSA | Repair Kit (Includes Index #3-3, 2-9, 2-10) | | |
| | BRK-HAS | Complete Hydraulic Spreader Assembly | | |

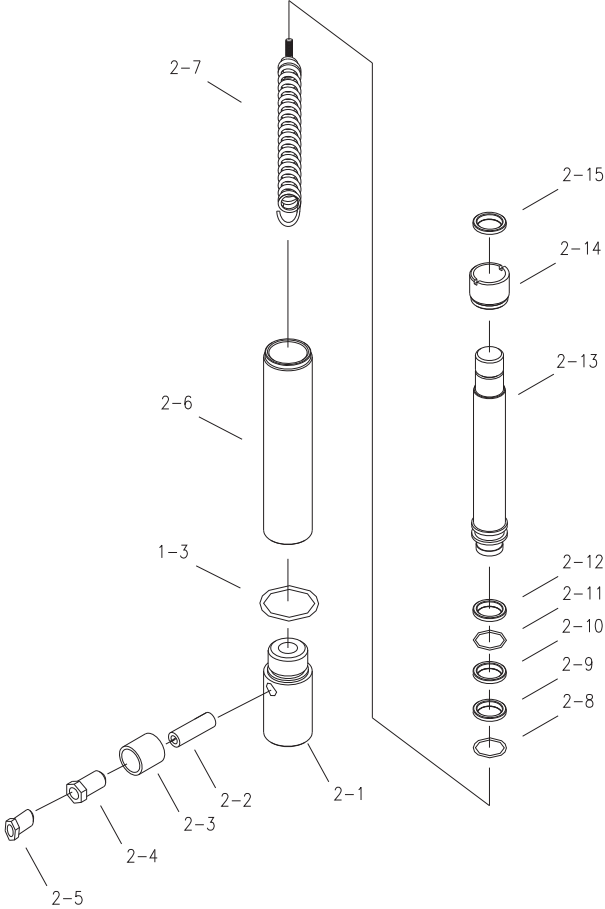
12.3.1 BRK-4T Hydraulic Ram Assembly – Exploded View



12.3.2 BRK-4T Hydraulic Ram Assembly – Parts List

| Index No. | Part No. | Description | Size | Qty |
|-----------|--------------|---|------------|-----|
| 2-1 | BRK4T-2-1 | Cylinder Base | | 1 |
| 2-2 | BRK4T-2-2 | Pin | 8x20 | 1 |
| 2-3 | | Coupling Ring | | 1 |
| 2-4 | BRK4T-2-4 | Coupler Set (Index #2-3, 2-4, 2-5) | 1/4" | 1 |
| 2-5 | | Dustproof Plug | | 1 |
| 2-6 | BRK4T-2-6 | O-Ring | 25x3.55 mm | 1 |
| 2-7 | BRK4T-2-7 | Cylinder Tube | | 1 |
| 2-8 | BRK4T-2-8 | Spring | | 1 |
| 2-9 | BRK4T-2-9 | Seal | 28x6 mm | 1 |
| 2-10 | BRK4T-2-10 | Nylon Gasket | | 1 |
| 2-11 | BRK4T-2-11 | Piston Ring | | 1 |
| 2-12 | BRK4T-2-12 | Ram | | 1 |
| 2-13 | BRK4T-2-13 | Bushing | | 1 |
| | RPK-BRK4THRA | Repair Kit (Includes Index #2-6, 2-9, 2-10) | | |
| | BRK4T-HRA | Complete Hydraulic Ram Assembly | | |

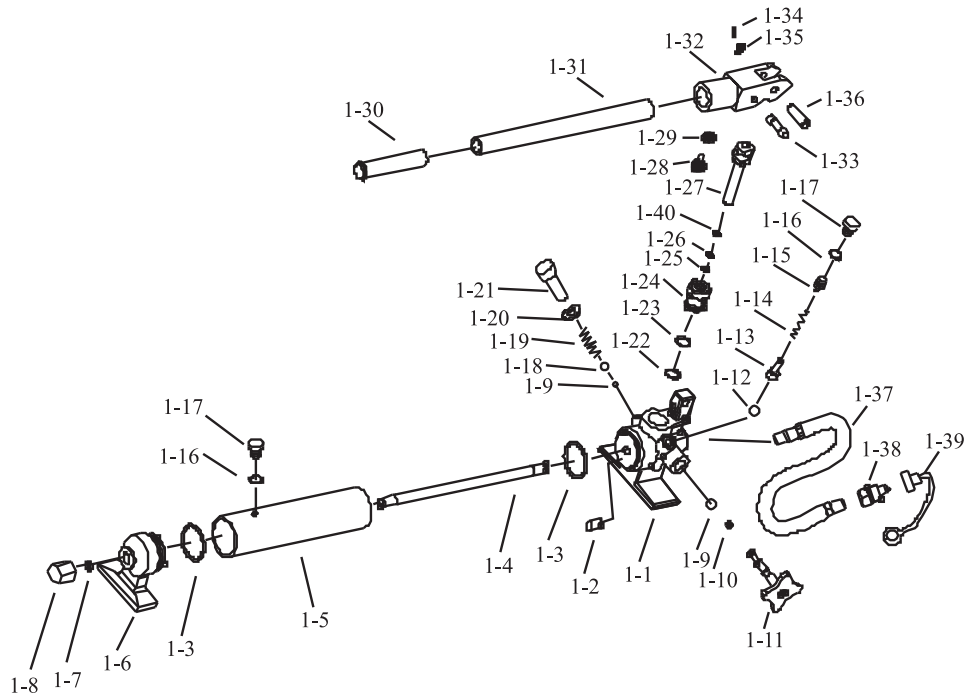
12.4.1 BRK-10T Hydraulic Ram Assembly – Exploded View



12.4.2 BRK-10T Hydraulic Ram Assembly – Parts List

| Index No. | Part No. | Description | Size | Qty |
|-----------|---------------|--|------------|-----|
| 1-3 | BRK4T-1-3 | O-Ring | 40x3.55 mm | 1 |
| 2-1 | BRK10T-2-1 | Cylinder Base | | 1 |
| 2-2 | BRK10T-2-2 | Pin | 8x35 mm | 1 |
| 2-3 | | Coupling Ring | | 1 |
| 2-4 | BRK4T-2-4 | Coupler Set (Index #2-3, 2-4, 2-5) | 1/4" | 1 |
| 2-5 | | Dustproof Plug | | 1 |
| 2-6 | BRK10T-2-6 | Cylinder Tube | | 1 |
| 2-7 | BRK10T-2-7 | Spring | | 1 |
| 2-8 | BRK10T-2-8 | Snap Ring | 28 mm | 1 |
| 2-9 | BRK10T-2-9 | Seal | | 1 |
| 2-10 | BRK10T-2-10 | Piston Ring | | 1 |
| 2-11 | BRK10T-2-11 | Seal | 45x6 mm | 1 |
| 2-12 | BRK10T-2-12 | Nylon Gasket | 45x4 mm | 1 |
| 2-13 | BRK10T-2-13 | Ram | | 1 |
| 2-14 | BRK10T-2-14 | Bushing | | 1 |
| 2-15 | BRK10T-2-15 | Bushing | | 1 |
| | RPK-BRK10THRA | Repair Kit (Includes Index #1-3, 2-11, 2-12) | | |
| | BRK10T-HRA | Complete Hydraulic Ram Assembly | | |

12.5.1 BRK-4T Hydraulic Pump Assembly – Exploded View

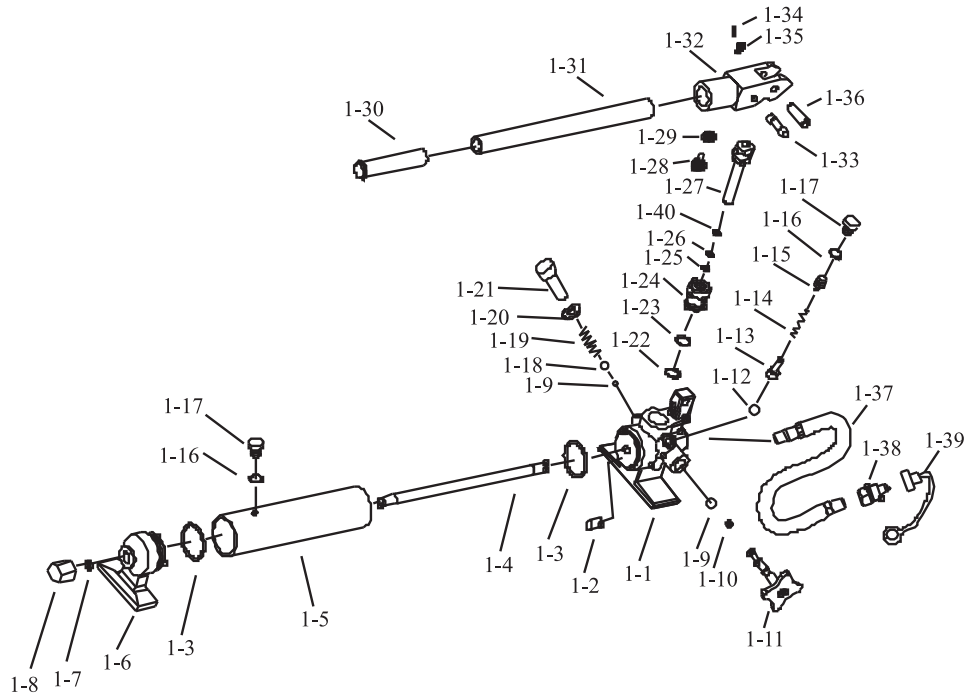


12.5.2 BRK-4T Hydraulic Pump Assembly – Parts List

| Index No. | Part No. | Description | Size | Qty |
|-----------|-------------|---------------------|-------------|-----|
| 1-1 | BRK4T-1-1 | Valve Block | | 1 |
| 1-2 | BRK4T-1-2 | Filter | | 1 |
| 1-3 | BRK4T-1-3 | O-Ring | 40x3.55 mm | 2 |
| 1-4 | BRK4T-1-4 | Rod Joint | | 1 |
| 1-5 | BRK4T-1-5 | Oil Reservoir | | 1 |
| 1-6 | BRK4T-1-6 | Supporting Block | | 1 |
| 1-7 | BRK4T-1-7 | O-Ring | 14x2.65 mm | 1 |
| 1-8 | BRK4T-1-8 | Hex Nut | | 1 |
| 1-9 | BRK4T-1-9 | Steel Ball | 6 mm | 2 |
| 1-10 | BRK4T -1-10 | O-Ring | 7.1x2.65 mm | 1 |
| 1-11 | BRK4T -1-11 | Release Valve Rod | | 1 |
| 1-12 | BRK4T-1-12 | Steel Ball | 4 mm | 1 |
| 1-13 | BRK4T-1-13 | Ball Seat | | 1 |
| 1-14 | BRK4T-1-14 | Safety Valve Spring | | 1 |
| 1-15 | BRK4T-1-15 | Adjust Screw | | 1 |
| 1-16 | BRK4T-1-16 | Seal | | 2 |
| 1-17 | BRK4T-1-17 | Bolt | | 2 |
| 1-18 | BRK4T-1-18 | Steel Ball | 8 mm | 1 |
| 1-19 | BRK4T-1-19 | Spring | | 1 |
| 1-20 | BRK4T-1-20 | Copper Washer | | 1 |
| 1-21 | BRK4T-1-21 | Bolt | 10x16 mm | 1 |
| 1-22 | BRK4T-1-22 | O-Ring | 19x2.65 mm | 1 |
| 1-23 | BRK4T-1-23 | Nylon Gasket | 24x2 mm | 1 |
| 1-24 | BRK4T-1-24 | Cylinder Pump | | 1 |
| 1-25 | BRK4T-1-25 | O-Ring | 12x2.65 mm | 1 |
| 1-26 | BRK4T-1-26 | Nylon Gasket | 12x2 mm | 1 |
| 1-27 | BRK4T-1-27 | Pump Plunger | | 1 |
| 1-28 | BRK4T-1-28 | Hex Bolt | 6x25 mm | 1 |

| Index No. | Part No. | Description | Size | Qty |
|-----------|------------|---|---------|-----|
| 1-29 | BRK4T-1-29 | Nut | 6 mm | 1 |
| 1-30 | BRK4T-1-30 | Grip | | 1 |
| 1-31 | BRK4T-1-31 | Handle | | 1 |
| 1-32 | BRK4T-1-32 | Handle Socket | | 1 |
| 1-33 | BRK4T-1-33 | Pin | | 1 |
| 1-34 | BRK4T-1-34 | Clip | | 1 |
| 1-35 | BRK4T-1-35 | Flat Washer | 10 mm | 1 |
| 1-36 | BRK4T-1-36 | Pin | | 1 |
| 1-37 | BRK4T-1-37 | Hose | | 1 |
| 1-38 | BRK4T-1-38 | Coupler | | 1 |
| 1-39 | BRK4T-1-39 | Dustproof Plug | | 1 |
| 1-40 | BRK4T-1-40 | Seal | 12x6 mm | 1 |
| | RPK-BRKHPA | Repair Kit (Includes Index #1-3, 1-7, 1-10, 1-16, 1-20, 1-22, 1-23, 1-25, 1-26, 1-40) | | |
| | BRK4T-HPA | Complete Hydraulic Hand Pump Assembly | | |

12.6.1 BRK-10T Hydraulic Pump Assembly – Exploded View



12.6.2 BRK-10T Hydraulic Pump Assembly – Parts List

| Index No. | Part No. | Description | Size | Qty |
|-----------|------------|---------------------|-------------|-----|
| 1-1 | BRK4T-1-1 | Valve Block | | 1 |
| 1-2 | BRK4T-1-2 | Filter | | 1 |
| 1-3 | BRK4T-1-3 | O-Ring | 40x3.55 mm | 2 |
| 1-4 | BRK10T-1-4 | Rod Joint | | 1 |
| 1-5 | BRK10T-1-5 | Oil Reservoir | | 1 |
| 1-6 | BRK4T-1-6 | Supporting Block | | 1 |
| 1-7 | BRK4T-1-7 | O-Ring | 14x2.65 mm | 1 |
| 1-8 | BRK4T-1-8 | Hex Nut | | 1 |
| 1-9 | BRK4T-1-9 | Steel Ball | 6 mm | 2 |
| 1-10 | BRK4T-1-10 | O-Ring | 7.1x2.65 mm | 1 |
| 1-11 | BRK4T-1-11 | Release Valve Rod | | 1 |
| 1-12 | BRK4T-1-12 | Steel Ball | 4 mm | 1 |
| 1-13 | BRK4T-1-13 | Ball Seat | | 1 |
| 1-14 | BRK4T-1-14 | Safety Valve Spring | | 1 |
| 1-15 | BRK4T-1-15 | Adjust Screw | | 1 |
| 1-16 | BRK4T-1-16 | Seal | | 2 |
| 1-17 | BRK4T-1-17 | Bolt | | 2 |
| 1-18 | BRK4T-1-18 | Steel Ball | 8 mm | 1 |
| 1-19 | BRK4T-1-19 | Spring | | 1 |
| 1-20 | BRK4T-1-20 | Copper Washer | | 1 |
| 1-21 | BRK4T-1-21 | Bolt | 10x16mm | 1 |
| 1-22 | BRK4T-1-22 | O-Ring | 19x2.65 mm | 1 |
| 1-23 | BRK4T-1-23 | Nylon Gasket | 24x2 mm | 1 |
| 1-24 | BRK4T-1-24 | Cylinder Pump | | 1 |
| 1-25 | BRK4T-1-25 | O-Ring | 12x2.65 mm | 1 |
| 1-26 | BRK4T-1-26 | Nylon Gasket | 12x2 mm | 1 |
| 1-27 | BRK4T-1-27 | Pump Plunger | | 1 |
| 1-28 | BRK4T-1-28 | Hex Bolt | 6x25 mm | 1 |
| 1-29 | BRK4T-1-29 | Nut | 6 mm | 1 |

| Index No. | Part No. | Description | Size | Qty |
|-----------|-------------|---|---------|-----|
| 1-30 | BRK4T-1-30 | Grip | | 1 |
| 1-31 | BRK10T-1-31 | Handle | | 1 |
| 1-32 | BRK4T-1-32 | Handle Socket | | 1 |
| 1-33 | BRK4T-1-33 | Pin | | 1 |
| 1-34 | BRK4T-1-34 | Clip | | 1 |
| 1-35 | BRK4T-1-35 | Flat Washer | 10 mm | 1 |
| 1-36 | BRK4T-1-36 | Pin | | 1 |
| 1-37 | BRK4T-1-37 | Hose | | 1 |
| 1-38 | BRK4T-1-38 | Coupler | | 1 |
| 1-39 | BRK4T-1-39 | Dustproof Plug | | 1 |
| 1-40 | BRK4T-1-40 | Seal | 12x6 mm | 1 |
| | RPK-BRKHPA | Repair Kit (Includes Index #1-3, 1-7, 1-10, 1-16, 1-20, 1-22, 1-23, 1-25, 1-26, 1-40) | | |
| | BRK10T-HPA | Complete Hydraulic Hand Pump Assembly | | |



427 New Sanford Road
LaVergne, Tennessee 37086
Phone: 800-274-6848
www.jettools.com