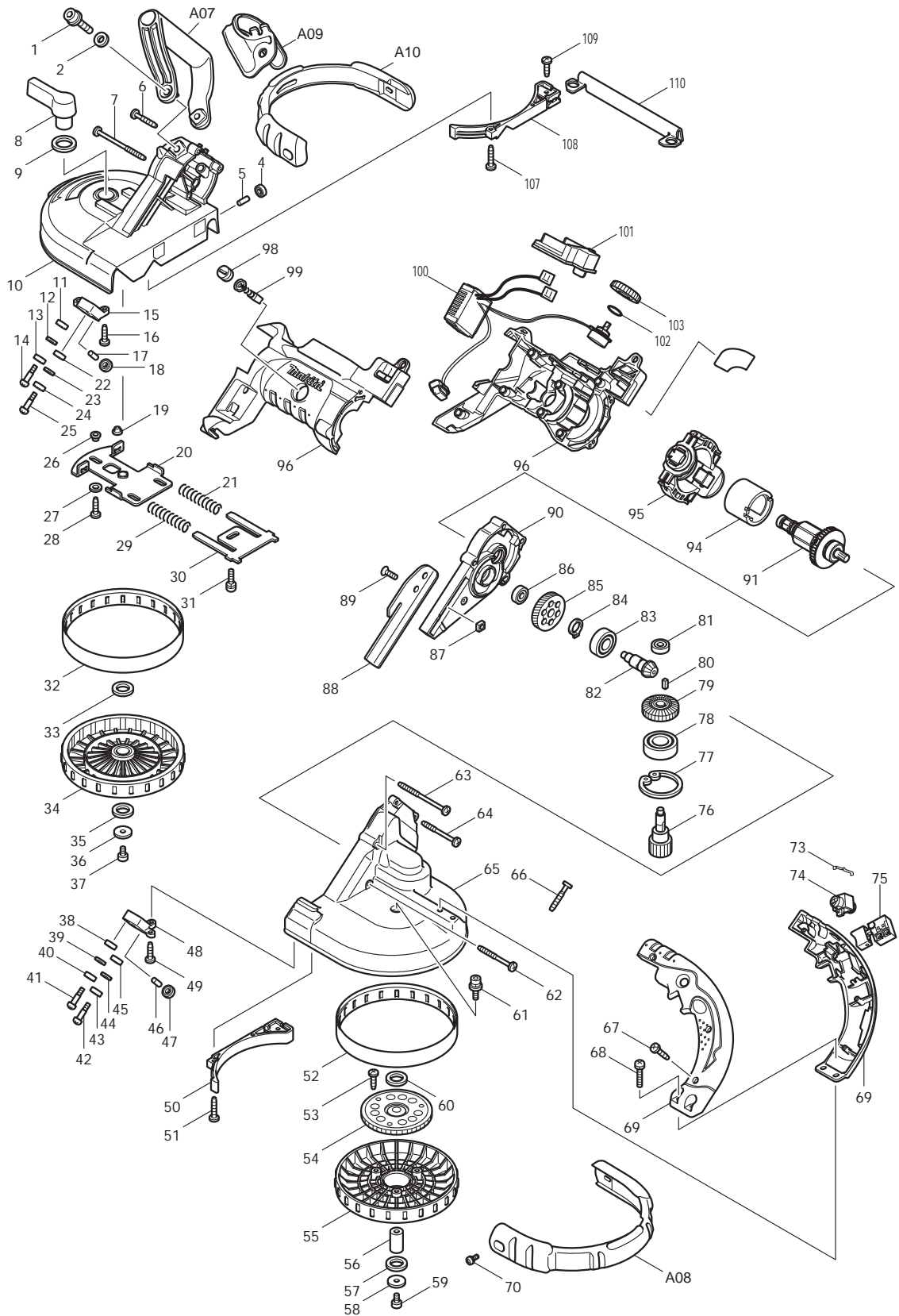




09 -2011  
BPB180 / BPB180Z / BPB180F  
18V PORTABLE BAND SAW



Item No	Type	Ref	Part No	Description	Qty	Unit
1			922456-6	HEX. SOCKET HEAD BOLT M8X35	2	PC.
2			941202-8	FLAT WASHER 8	1	PC.
4			210033-9	BALL BEARING 696ZZ	1	PC.
5			256033-5	PIN 6	1	PC.
6			265999-8	TAPPING SCREW 4X25	2	PC.
7			266147-2	TAPPING SCREW 4X55	2	PC.
8			272223-2	LEVER 60	1	PC.
9			267041-1	FLAT WASHER 20	1	PC.
10	1		154658-8	FRONT WHEEL COVER COMPLETE	1	PC.
		INC.	816212-3	INDICATIONAL LABEL	1	PC.
	2		158703-1	FRONT WHEEL COVER COMPLETE	1	PC.
		INC.	816212-3	INDICATIONAL LABEL	1	PC.
11			210033-9	BALL BEARING 696ZZ	1	PC.
12			941152-7	FLAT WASHER 6	1	PC.
13			210033-9	BALL BEARING 696ZZ	1	PC.
14			251337-0	+ PAN HEAD SCREW K5	1	PC.
15			317824-0	UPPER HOLDER	1	PC.
16			266034-5	TAPPING SCREW CT 4X16	2	PC.
17			256033-5	PIN 6	1	PC.
18			210033-9	BALL BEARING 696ZZ	1	PC.
19			343494-9	SLEEVE 5	1	PC.
20			163276-1	SLIDE PLATE	1	PC.
21			231449-5	COMPRESSION SPRING 11	1	PC.
22			210033-9	BALL BEARING 696ZZ	1	PC.
23			941152-7	FLAT WASHER 6	1	PC.
24			210033-9	BALL BEARING 696ZZ	1	PC.
25			251337-0	+ PAN HEAD SCREW K5	1	PC.
26			343494-9	SLEEVE 5	3	PC.
27			941051-3	FLAT WASHER 4	3	PC.
28			266034-5	TAPPING SCREW CT 4X16	3	PC.
29			231449-5	COMPRESSION SPRING 11	1	PC.
30			343489-2	TENSION PLATE	1	PC.
31			911221-8	PAN HEAD SCREW M5X16	1	PC.
32			421333-4	RUBBER TIRE	1	PC.
33			253749-3	FLAT WASHER 16	1	PC.
34			152325-9	WHEEL COMPLETE	1	PC.
35			253749-3	FLAT WASHER 16	1	PC.
36			253010-8	FLAT WASHER 6	1	PC.
37			922312-0	HEX. SOCKET HEAD BOLT M6X12	1	PC.
38			210033-9	BALL BEARING 696ZZ	1	PC.
39			941152-7	FLAT WASHER 6	1	PC.
40			210033-9	BALL BEARING 696ZZ	1	PC.
41			251337-0	+ PAN HEAD SCREW K5	1	PC.
42			251337-0	+ PAN HEAD SCREW K5	1	PC.
43			210033-9	BALL BEARING 696ZZ	1	PC.
44			941152-7	FLAT WASHER 6	1	PC.
45			210033-9	BALL BEARING 696ZZ	1	PC.
46			256033-5	PIN 6	1	PC.
47			210033-9	BALL BEARING 696ZZ	1	PC.
48			317823-2	LOWER HOLDER	1	PC.
49			266034-5	TAPPING SCREW CT 4X16	2	PC.
50			418784-0	SAW GUARD HOLDER	1	PC.
51			266042-6	TAPPING SCREW BIND CT 4X20	2	PC.

Item No	Type	Ref	Part No	Description	Qty	Unit
52			421333-4	RUBBER TIRE	1	PC.
53			266021-4	TAPPING SCREW 5X20	3	PC.
54			154949-7	GEAR COMPLETE	1	PC.
55			419506-1	WHEEL	1	PC.
56			324513-0	LOWER SHAFT	1	PC.
57			253749-3	FLAT WASHER 16	1	PC.
58			253010-8	FLAT WASHER 6	1	PC.
59			922312-0	HEX. SOCKET HEAD BOLT M6X12	1	PC.
60			253749-3	FLAT WASHER 16	1	PC.
61			922323-5	HEX.SOCKET HEAD BOLT M6X16	1	PC.
62			266203-8	TAPPING SCREW BIND CT 4X40	1	PC.
63			266147-2	TAPPING SCREW 4X55	2	PC.
64			266048-4	TAPPING SCREW 4X40	2	PC.
65			317947-4	REAR WHEEL COVER	1	PC.
66			265995-6	TAPPING SCREW 4X18	8	PC.
67			265995-6	TAPPING SCREW 4X18	2	PC.
68			911243-8	PAN HEAD SCREW M5X25	2	PC.
69			188108-1	HANDLE SET	1	SET
70			911213-7	PAN HEAD SCREW M5X12	4	PC.
73			232201-4	LEAF SPRING	1	PC.
74			419504-5	LOCK OFF BUTTON	1	PC.
75			650229-4	SWITCH SGE120C-3	1	PC.
76			227170-2	SPUR GEAR 12	1	PC.
77			962203-3	RETAINING RING R-47	1	PC.
78			211306-3	BALL BEARING 6204LLB	1	PC.
79			227470-0	SPIRAL BEVEL GEAR 29	1	PC.
80			254202-2	KEY 4	1	PC.
81	1		211031-6	BALL BEARING 608LLB	1	PC.
	2		210029-0	BALL BEARING 608ZZ	1	PC.
82			227481-5	SPIRAL BEVEL GEAR 11	1	PC.
83	1		211206-7	BALL BEARING 6202LLB	1	PC.
	2		211241-5	BALL BEARING 6202DDW	1	PC.
84			961055-9	RETAINING RING S-15	1	PC.
85			226626-2	HELICAL GEAR 45	1	PC.
86	1		211031-6	BALL BEARING 608LLB	1	PC.
	2		210029-0	BALL BEARING 608ZZ	1	PC.
87			252157-5	SQUARE NUT M6	2	PC.
88			345467-8	STOPPER PLATE	1	PC.
89			251981-3	HEX. SOCKET HEAD BOLT M6X16	2	PC.
90			154475-6	GEAR HOUSING COMPLETE	1	PC.
91			619187-3	ARMATURE	1	PC.
94	1		638420-4	YOKE UNIT	1	PC.
	2		638627-2	YOKE UNIT	1	PC.
95	1		638449-0	ENDBELL COMPLETE	1	PC.
	2		638919-9	ENDBELL COMPLETE	1	PC.
96			188107-3	HOUSING SET	1	SET
98			643929-3	BRUSH HOLDER CAP	2	PC.
99	1		191971-3	CARBON BRUSH CB-430, 2PCS/SET, W/O ORIGIN - N/L/A	1	SET
	2		195018-5	CARBON BRUSH CB-430, 2PCS/SET, W/ ORIGIN	1	SET
100	1		631722-7	CONTROLLER	1	PC.
	2		638918-1	CONTROLLER UNIT	1	PC.
101			643812-4	TERMINAL, BLACK	1	PC.
102			213261-5	O RING 17	1	PC.

Item No	Type	Ref	Part No	Description	Qty	Unit
103			419505-3	DIAL	1	PC.
107			266042-6	TAPPING SCREW BIND CT 4X20	2	PC.
108			418784-0	SAW GUARD HOLDER	1	PC.
109			266034-5	TAPPING SCREW CT 4X16	1	PC.
110	1		345468-6	SAW GUARD	1	PC.
	2		346669-9	SAW GUARD	1	PC.
<b><u>ACCESSORIES</u></b>				<b>- See Catalogue or visit <a href="http://www.makita.ca">www.makita.ca</a> for more accessories -</b>		
A01	1		DC18RA	CHARGER DC18RA	1	PC.
	2		DC18RC	CHARGER DC18RC	1	PC.
			DC18SD	CHARGER DC18SD	1	PC.
			DC18SE	DC18SE CHARGER	1	PC.
A02			194205-3	18V LI-ION BATTERY BL1830	1	PC.
			194230-4	18V LI-ION BATTERY BL1830 2/PK	1	PK.
			194288-3	18V LI-ION BATTERY BL1830 10/PK	1	PK.
A03	1		792559-8	BAND SAW BLADE 18 (C.STEEL)	1	SET
	2		792559-A	BAND SAW BLADE 18 (C.STEEL)	1	SET
A03	2		B-10350	BAND SAW BLADE 18 BIMETAL	1	PC.
A04			783202-0	HEX. WRENCH 4	1	PC.
A05	1		824766-6	PLASTIC CARRYING CASE	1	PC.
		INC.	163467-4	LATCH	2	PC.
	2		141496-7	PLASTIC CARRYING CASE	1	PC.
		INC.	163467-4	LATCH	2	PC.
A06			450128-8	BATTERY COVER	1	PC.
A07			273525-9	GRIP	1	PC.
A08			168412-4	REAR BUMPER	1	PC.
A09			345614-1	HOOK	1	PC.
A10			168413-2	FRONT BUMPER	1	PC.
A11			194026-3	BAND SAW STAND (See #194026-3 Parts breakdown)	1	PC.