



**BOSCH**

# Laser Level

BP 350 | 0 601 015 B10

---

## Table of Content

Spare parts list.....	2
Illustration - Type.....	3

**Spare parts list**

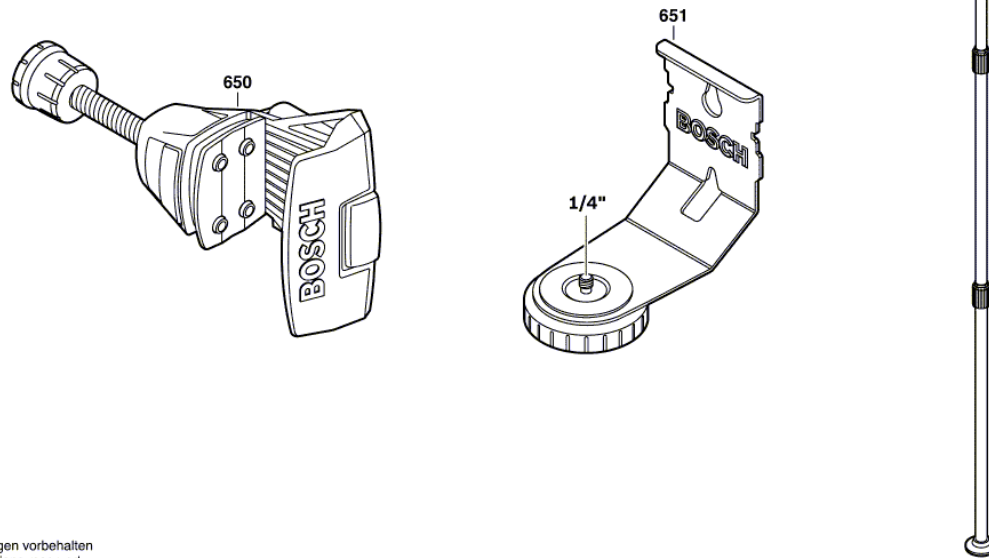
<b>Item</b>	<b>Part Number</b>	<b>Description</b>	<b>Illustration</b>
650	1 619 P04 421	Clamp	1
651	1 619 P04 420	Support bracket	1
825	1 619 P05 967	Bearing Pillar	1

Illustration - Type - E

0 601 015 B10

Stand 10-10-17  
Issue 10-06-28

Fig. /Abb. 1



Änderungen vorbehalten  
Modifications reserved  
Modifications réservées  
Salvo modificaciones