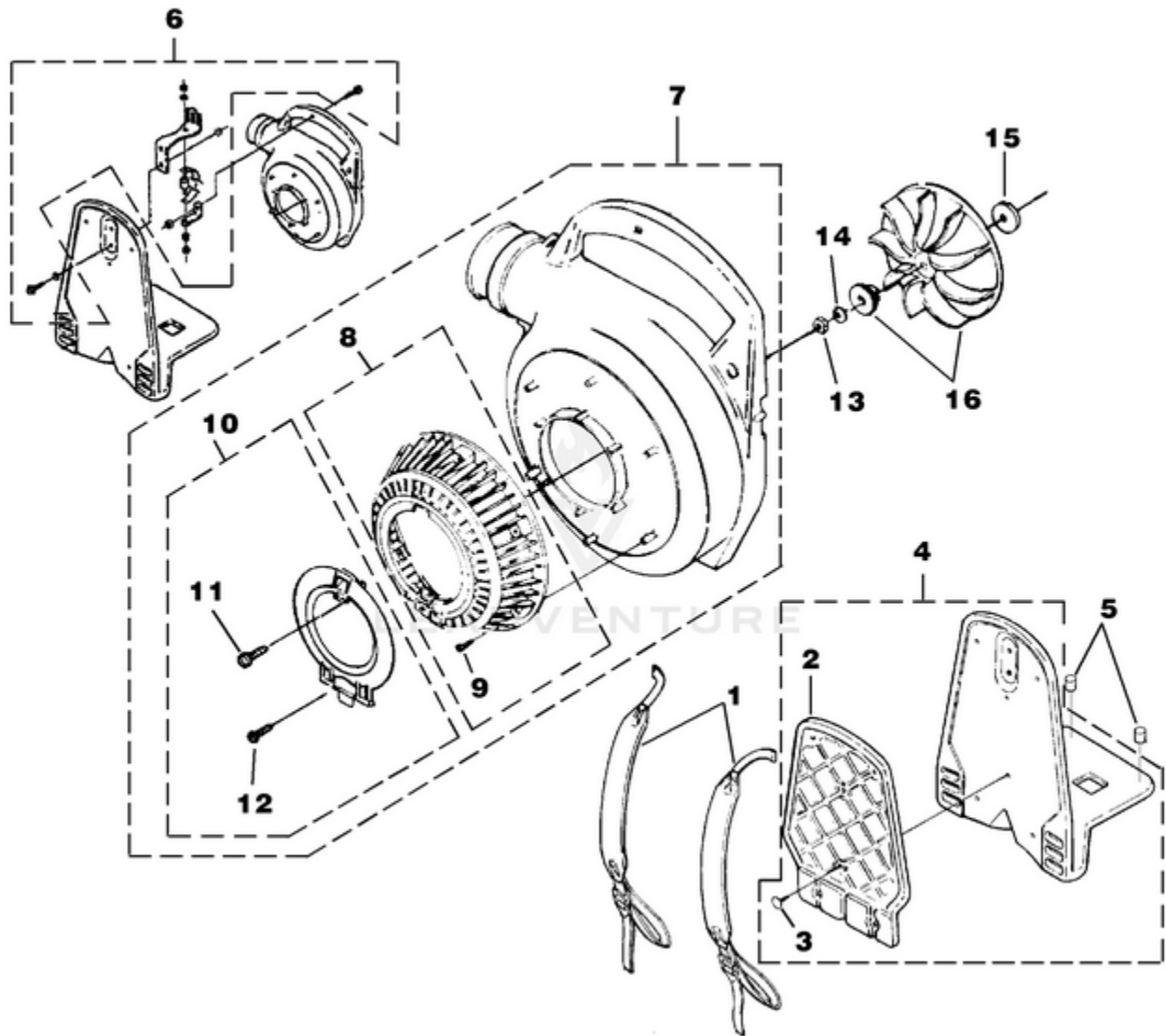


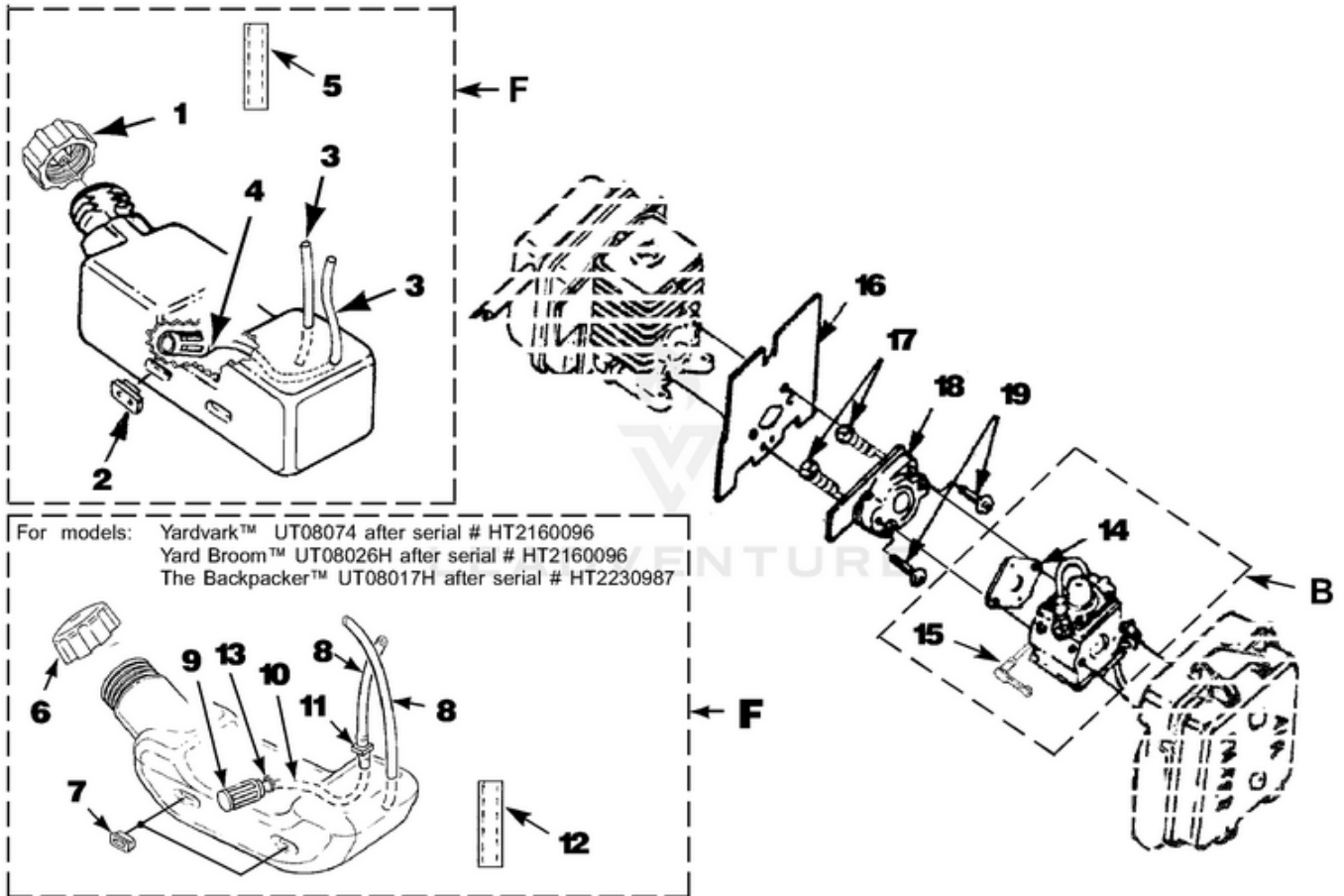
BP250 Back Pack Blower UT-08017-G 08017-G-UT BP250 Back Pack Blower UT-08017-G BP250 Back Pack Blower - Back Pack, Tube Kit & Handle



Rendered by LeadVenture, Inc.

Ref #	Part #	Description	Qty
1	UP03829	HARNESS-Shoulder	2
4	UP04405	FRAME-Blower	1
2	UP06884	PAD-Foam	1
3	UP03830	CLIP-Push	6
5	UP03826	VIBRATION ISOLATOR	2
6	UP06885	VIBRATION ISOLATOR KIT	1
7	UP03861	VOLUTE HOUSING KIT	1
8	UP06720	BLOWER VAC GRILLE KIT	1
9	UP03894	SCREW-Thread Form. (#6 X 3/8")	6
10	UP06613	ACCESS DOOR KIT	1
11	UP03888	SCREW-Thread Rolling (#10 X 5/8")	1
12	UP03893	SCREW-Thread Form. (#8 X 1/2")	1
13	UP03884	NUT-Hex (3/8-24)	1
14	UP03835	WASHER-Bellville (3/8")	1
15	UP03836	WASHER-Flat	2
16	UP06826	BLOWER FAN KIT	1

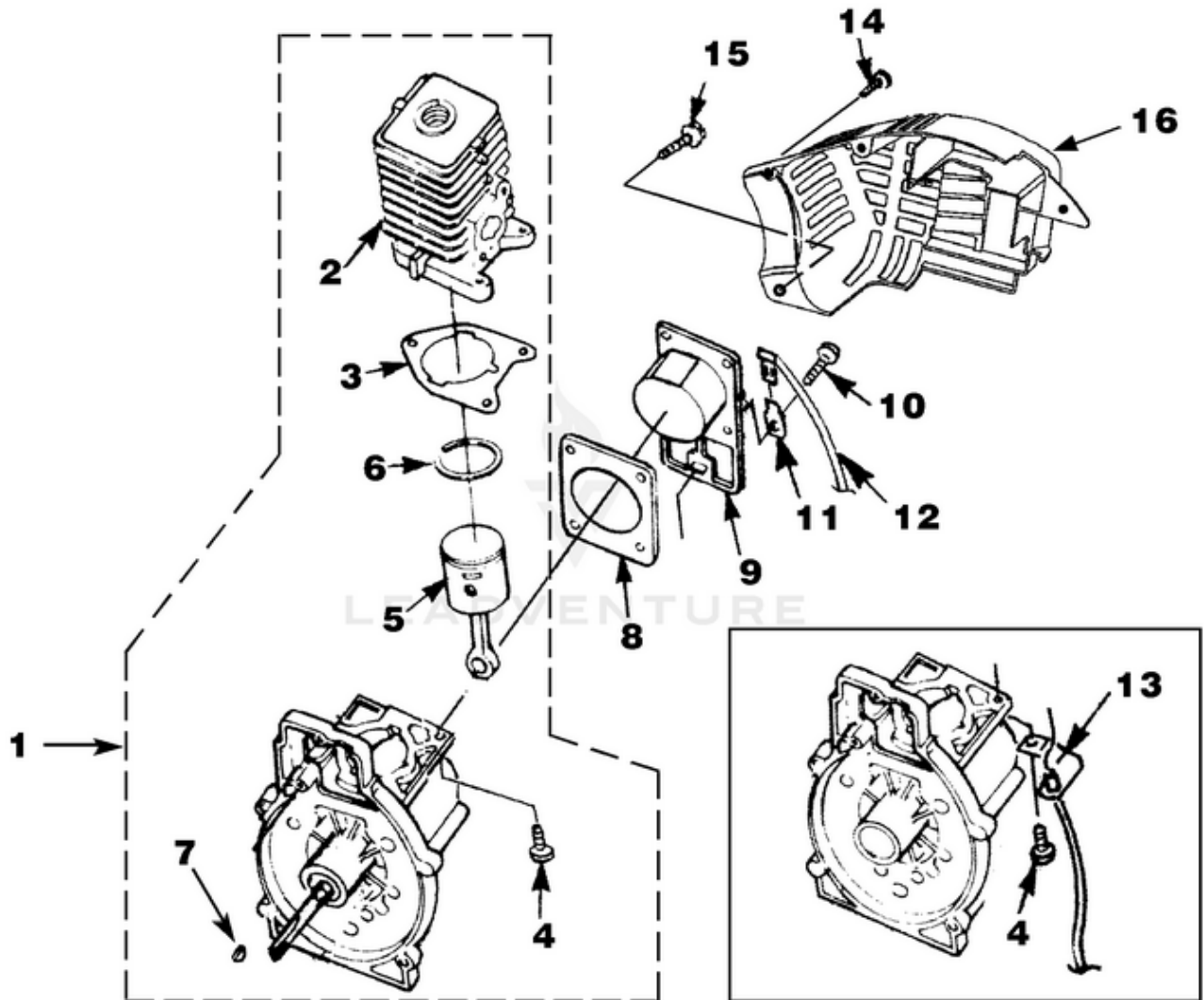
BP250 Back Pack Blower UT-08017-G 08017-G-UT BP250 Back Pack Blower UT-08017-G BP250 Back Pack Blower - Carburetor And Fuel Tank



Rendered by LeadVenture, Inc.

Ref #	Part #	Description	Qty
F	UP00136	FUEL TANK KIT	1
1	UP04111	FUEL CAP (1 3/8" Opening)	1
2	UP03501	BUMPER-Rubber	3
3	7031032	TUBING-Rubber (8")	2
4	UP03871	FUEL FILTER	1
5	4283304	INSULATION-Tubing	1
F	UP00136	FUEL TANK KIT	1
6	UP00106	FUEL CAP (1 5/8" Opening)	1
7	UP03501	BUMPER-Rubber	3
8	UP03825	TUBING-Rubber (8")	2
9	UP03871	FUEL FILTER	1
10	UP03905	TUBING-Rubber (8")	1
11	UP04310	Fitting, Inlet (small for 2.5mm ID fuel line)	1
	UP03831	Fitting, Inlet (large for 3mm ID fuel line)	1
12	UP04339	INSULATION-Tubing	1
13	UP03913	CLAMP	1
B	UP00651	CARBURETOR KIT	1
14	UP03915	GASKET-Carburetor	1
15	UP03943	LEVER-Choke	1
	UP04278	LEVER-Choke	1
B	UP00652	CARBURETOR KIT	1
14	UP03916	(GASKET-Carburetor)	1
15	UP03943	LEVER-Choke	1
	UP04278	LEVER-Choke	1
B	UP00653	CARBURETOR KIT	1
14	UP03915	GASKET-Carburetor	1
15	UP03941	LEVER-Choke	1
16	UP04308	GASKET-Heat Dam	1
17	UP04131	SCREW-Thread Form. (10-24 x 1")	2
18	UP04348	HEAT DAM	1
19	UP04140	SCREW, SEMS (10-24 x 1.110)	2

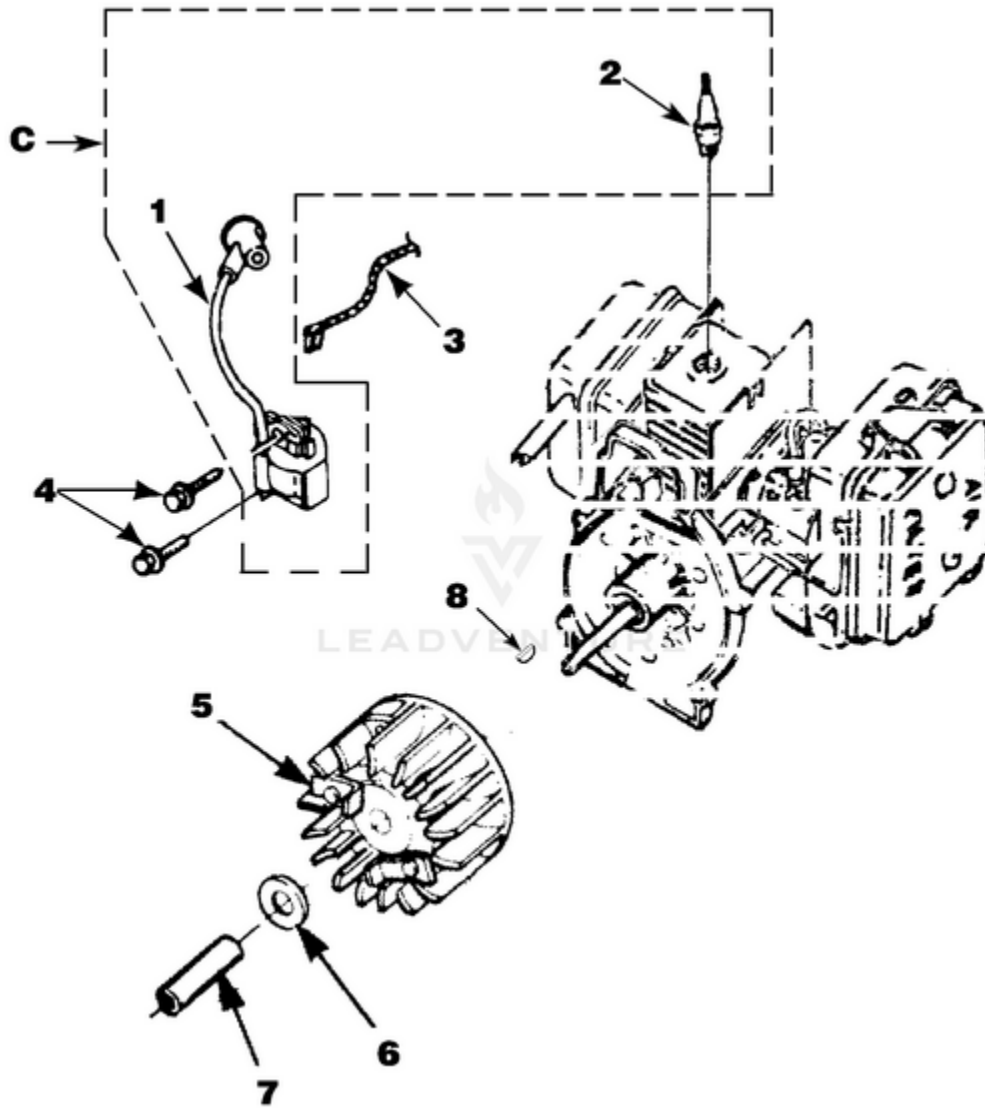
BP250 Back Pack Blower UT-08017-G 08017-G-UT BP250 Back Pack Blower UT-08017-G BP250 Back Pack Blower - Engine Internal



Rendered by LeadVenture, Inc.

Ref #	Part #	Description	Qty
1	UP03121	SHORT BLOCK W/ Rotor (30cc)	1
2	UP07146	30 CC CYLINDER KIT	1
3	UP03857	GASKET-Cylinder	1
4	UP04345	SCREW, SEMS (12-24 x 3/4)	3
5	UP03366	30 CC PISTON & ROD	1
6	UP03837	RING-Piston	2
7	UP03874	KEY-Woodruff	1
	UP03817	GASKET-Muffler	1
1	UP03123	SHORT BLOCK W/ Rotor (25cc)	1
2	UP04136	25 CC CYLINDER KIT	1
3	UP03857	GASKET-Cylinder	1
4	UP04345	SCREW, SEMS (12-24 x 3/4)	3
5	UP00768	25 CC PISTON & ROD	1
6	UP03838	RING-Piston	1
7	UP03874	KEY-Woodruff	1
	UP03817	GASKET-Muffler	1
8	UP04335	GASKET-Crankcase	1
9	UP04336	CRANKCASE COVER-Stamped Steel	1
10	UP04295	SCREW, SEMS (10-24 x .56)	4
9	UP03914	CRANKCASE COVER-Aluminum	1
10	UP04277	SCREW, SEMS (10-24 x .810)	4
11	UP03834	TAB-Male	1
12	UP04302	CABLE-Throttle w/ Ignition Leads	1
13	UP04296	CABLE BRACKET	1
14	UP03893	SCREW-Thread Form. (#8 X 1/2")	3
15	UP03900	SCREW-Thread Form. (#10 X 3/4")	6
16	UP06522	SHROUD	1
	UP06779	SHROUD-Flocked	1

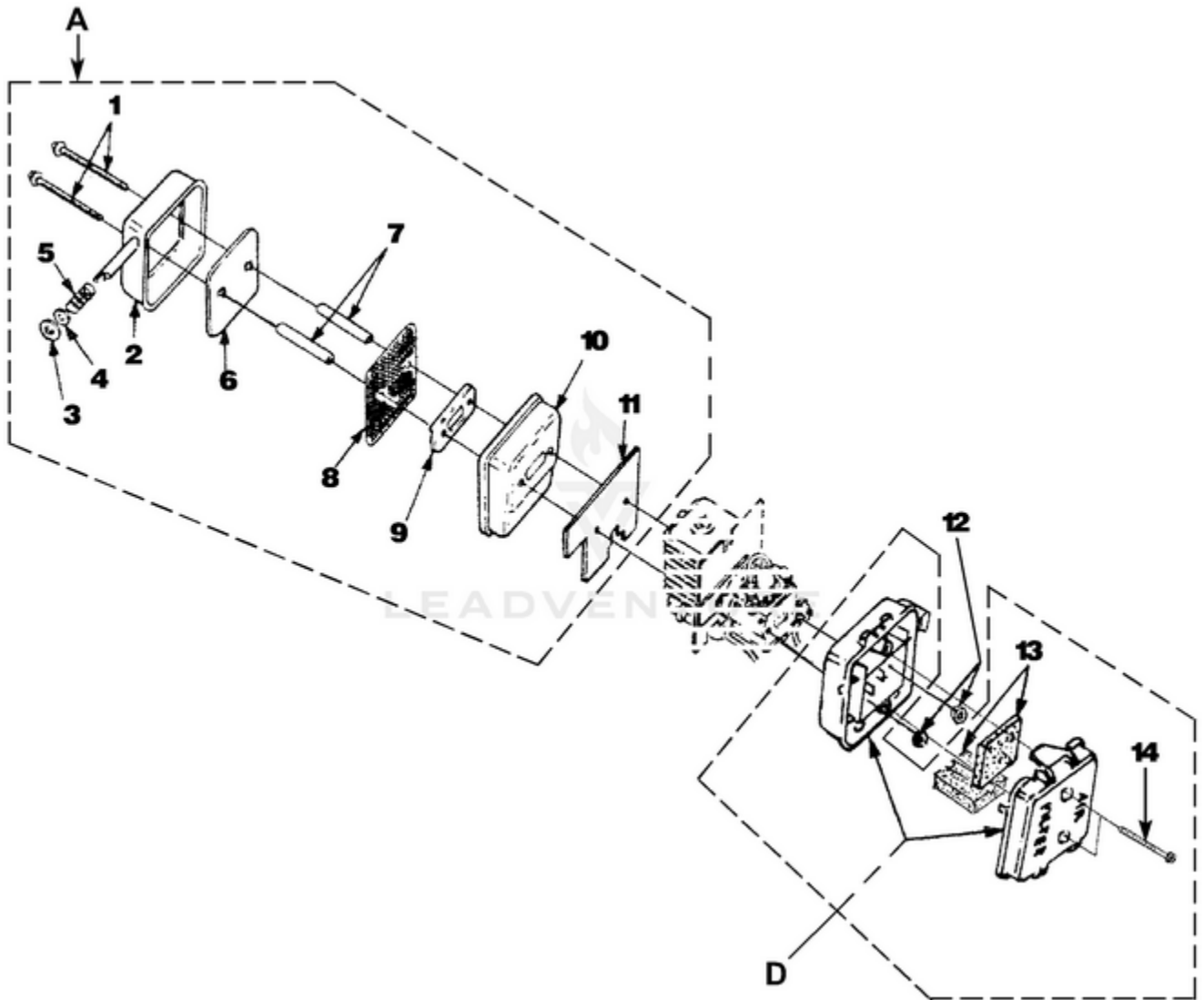
BP250 Back Pack Blower UT-08017-G 08017-G-UT BP250 Back Pack Blower UT-08017-G BP250 Back Pack Blower - Ignition With Rotor



Rendered by LeadVenture, Inc.

Ref #	Part #	Description	Qty
C	UP03858	IGNITION KIT w/ Module	1
1	UP03868	TERMINAL-Hi-Tension	1
2	UP03883	SPARK PLUG (RDJ-7Y)	1
3	A03924	LEAD-Electrical	1
4	UP03896	SCREW-Thread Form. (8-32 x 1")	2
5	UP03009	ROTOR & STARTER PAWLS	1
6	UP03906	WASHER-Flat	1
7	UP03854	SPACER-Fan	1
8	UP03874	KEY-Woodruff	1

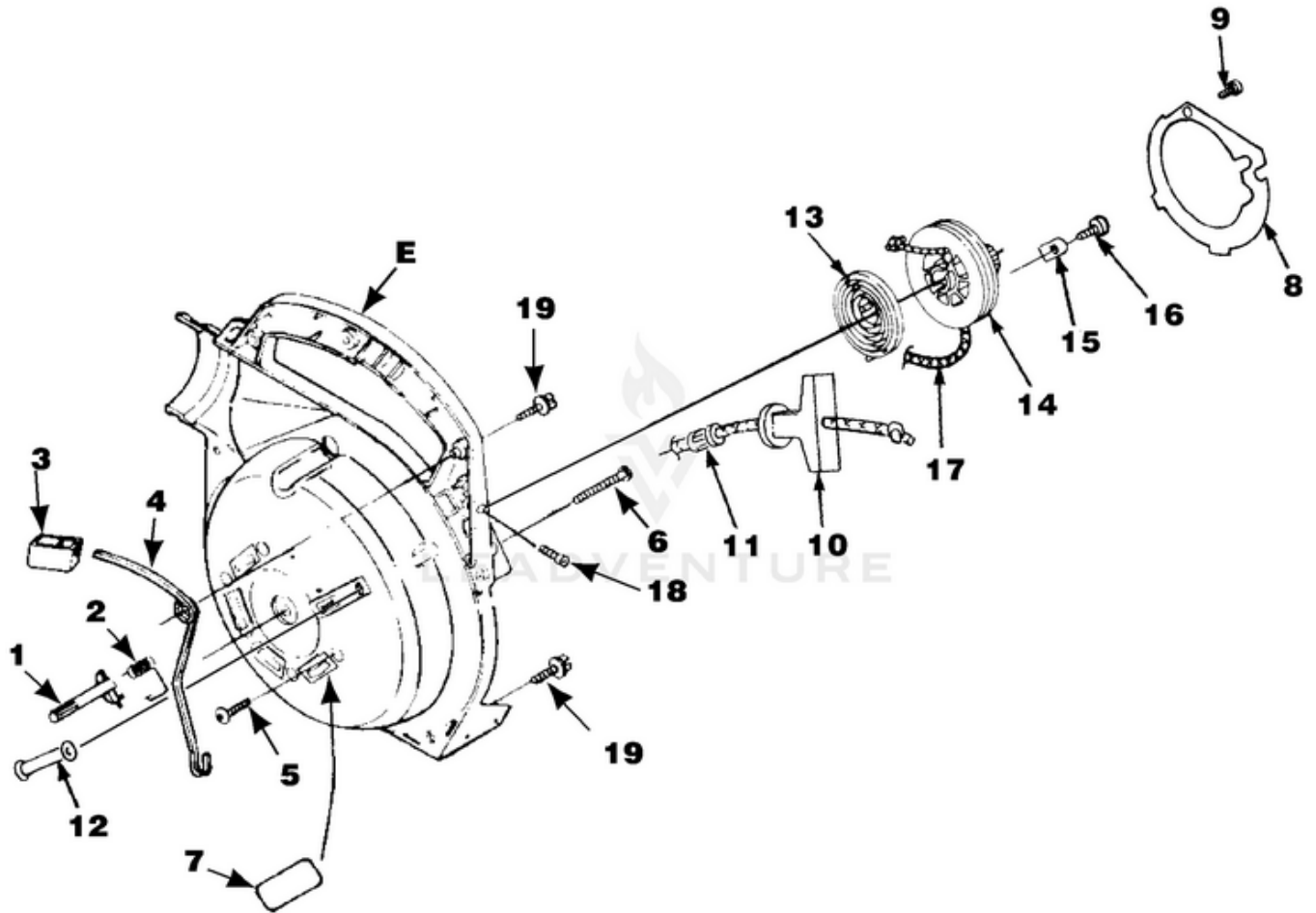
BP250 Back Pack Blower UT-08017-G 08017-G-UT BP250 Back Pack Blower UT-08017-G BP250 Back Pack Blower - Muffler And Air Cleaner



Rendered by LeadVenture, Inc.

Ref #	Part #	Description	Qty
A	UP04486	MUFFLER-Complete	1
1	UP03902	SCREW-Sems Hex Hd. (10-24 x 2 1/2")	2
2	UP03810	MUFFLER COVER	1
3	UP03813	WASHER-Insulating	1
4	UP03901	WASHER-Flat	1
5	UP03814	SPRING-Compression	1
6	UP04289	DEFLECTOR-Muffler	1
7	UP03860	SPACER-Muffler	1
8	UP03815	SCREEN-Spark Arrestor	1
9	UP03918	PLATE-Reinforcing	1
10	UP04305	BODY-Muffler	1
11	UP03817	GASKET-Muffler	1
12	UP03885	NUT-Hex (10-24)	2
D	UP00011	AIR FILTER KIT	1
13	UP00012	AIR FILTER	1
14	UP03890	SCREW-Thd. Form. (#8-16 x 3/4")	2

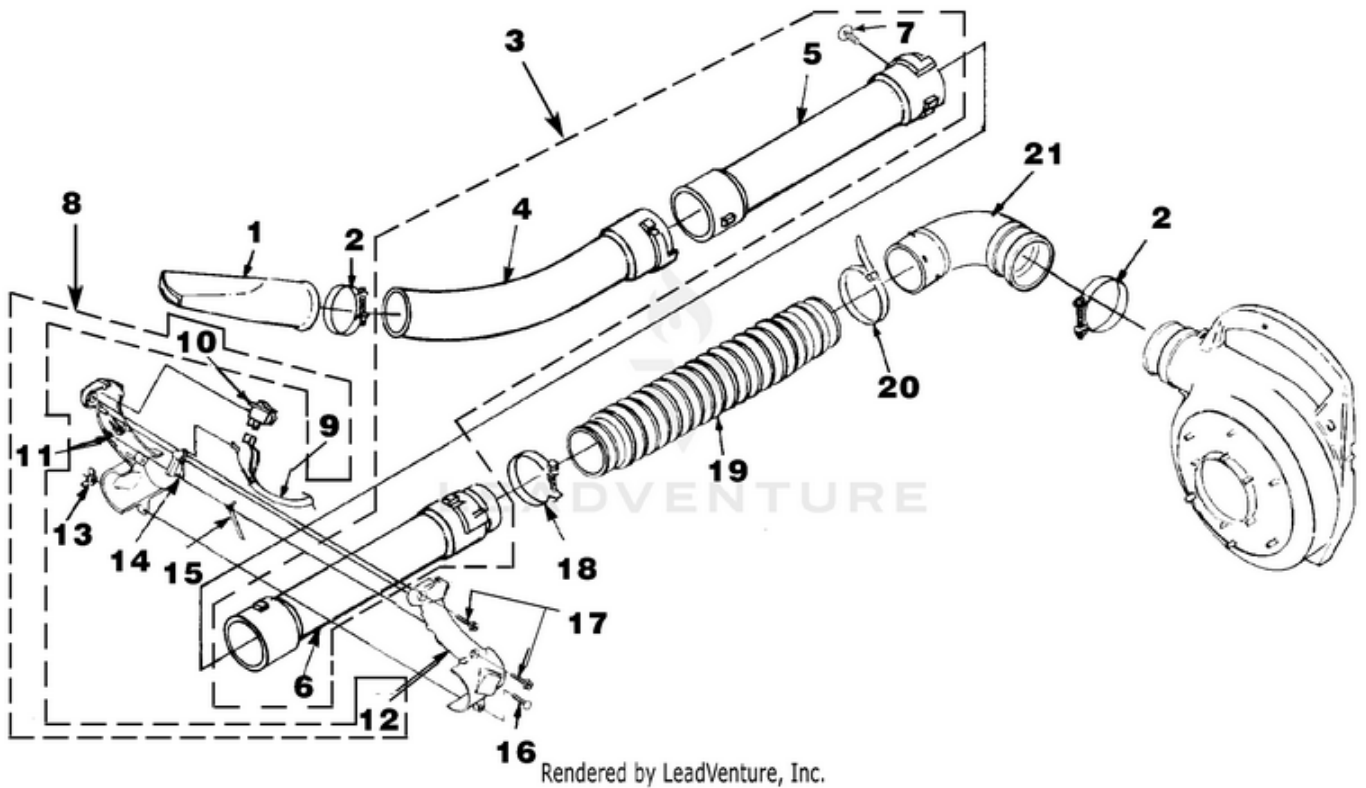
BP250 Back Pack Blower UT-08017-G 08017-G-UT BP250 Back Pack Blower UT-08017-G BP250 Back Pack Blower
- Starter



Rendered by LeadVenture, Inc.

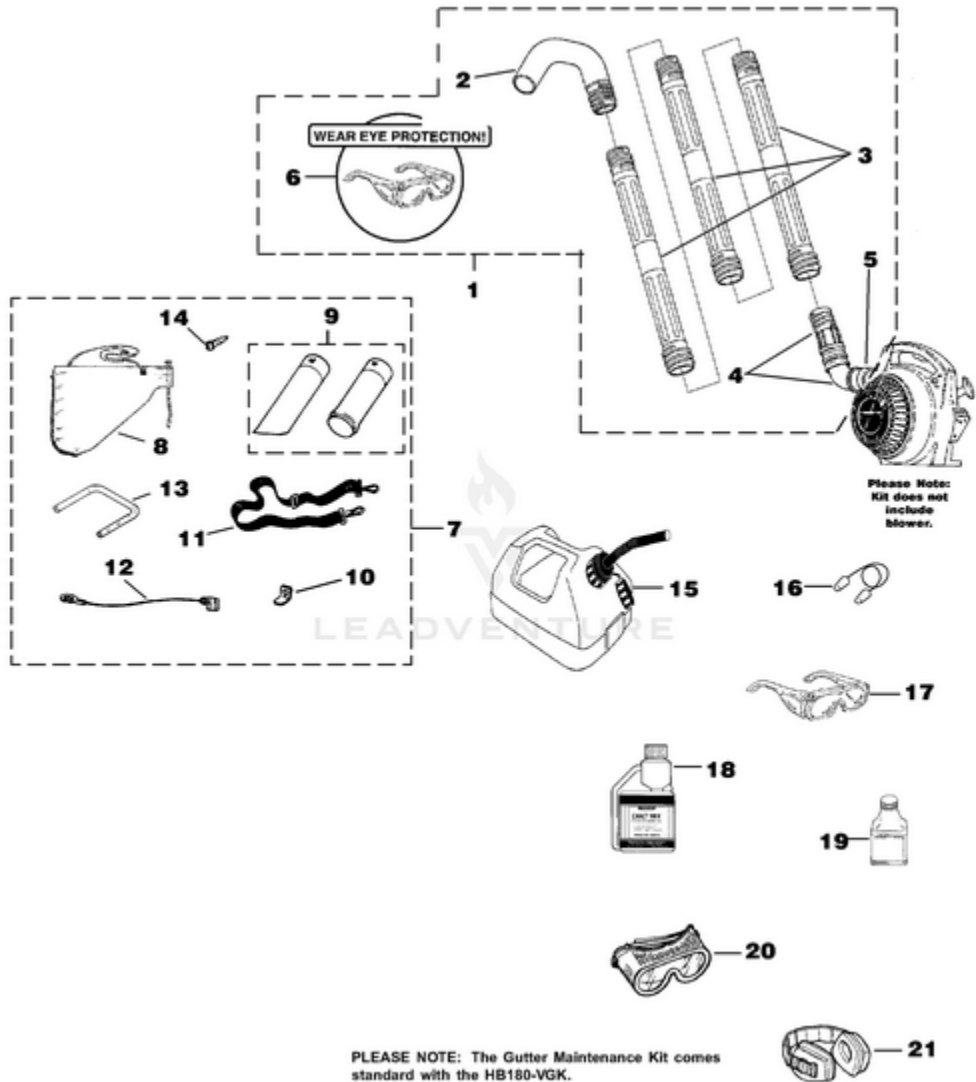
Ref #	Part #	Description	Qty
1	UP03800	LATCH-Throttle	1
2	UP03811	SPRING-Throttle Latch	1
3	UP03798	TRIGGER-Throttle	1
4	UP03803	LEVER-Throttle	1
5	UP03406	SCREW-Thread Form. (10-24 X 3/4")	4
6	UP03869	SCREW-Thread Form. (#10 X 1 5/8")	1
E	UP06792	VOLUTE HOUSING & STARTER	1
7	UP03822	KIT-Sealing	1
8	UP04279	PLATE-Rotor	1
9	UP03894	SCREW-Thread Form. (#6 X 1 3/8")	1
10	UP04276	GRIP-Starter	1
11	UP03910	BUSHING-Starter	1
12	UP03809	BUSHING-Starter Rope	1
13	UP03917	SPRING & CONTAINER	1
14	UP04349	PULLEY-Starter	1
15	UP03919	BRACKET-Retaining	2
16	UP03897	SCREW-Thread Form. (#10 X 1/2")	2
17	UP03911	ROPE-Starter	1
18	UP03887	SCREW-Phil. Hd. (8-32 X 5/8")	1
19	UP03900	SCREW-Thread Form. (10-24 X 3/4")	6

BP250 Back Pack Blower UT-08017-G 08017-G-UT BP250 Back Pack Blower UT-08017-G BP250 Back Pack Blower - Tubes



Ref #	Part #	Description	Qty
1	UP05582	NOZZLE-Sweeper	1
2	UP03821	CLAMP	2
3	UP05582	BLOWER TUBE KIT	1
4	UP00876	TUBE-Elbow	1
5	UP00875	TUBE-Straight	1
6	UP00874	TUBE-Upper	1
7	UP04299	CLIP-Push	4
8	UP03794	HANDLE & SWITCH KIT	1
9	UP04302	ELECTRICAL LEAD w/Terminal	1
10	UP03833	SWITCH	1
11	UP04300	HANDLE-Control (Right)	1
12	UP04301	HANDLE-Control (Left)	1
13	UP03886	NUT - Wing (10-24)	1
14	UP04346	TRIGGER	1
15	UP03908	LATCH-Trigger	1
16	UP03892	BOLT-Rib Neck, Rnd. Hd. (10-24 X 7/8")	1
17	UP03900	SCREW-Thread Form. (10-14 X 3/4")	2
18	UP03819	CLAMP (#87)	1
19	UP03827	BELLOWS-Plastic	1
20	UP04568	CABLE-Tie	1
21	UP04297	ELBOW-Curved	1

BP250 Back Pack Blower UT-08017-G 08017-G-UT BP250 Back Pack Blower UT-08017-G BP250 Back Pack Blower - Tubes - Accessories



PLEASE NOTE: The Gutter Maintenance Kit comes standard with the HB180-VGK.

Rendered by LeadVenture, Inc.

Ref #	Part #	Description	Qty
1	A02514D	GUTTER MAINTENANCE KIT	1
2	UP06830	FULL ELBOW	1
3	UP05618	STRAIGHT TUBE	3
4	UP06836	UPPER ELBOW & SWIVEL ADAPTER	1
5	UP03821	CLAMP w/Fasteners	1
6	UP06835	SAFETY GLASSES-Clear	1
7	UP04152	VACUUM KIT	1
8	UP04548	LEAF BAG	1
9	UP06705	VACUUM TUBE KIT w/ Decal	1
10	UP03834	TAB-Male	1
11	UP06723	HARNESS-Shoulder	1
12	UP03823	LEAD-Ground	1
13	UP03816	HANDLE	1
14	UP03889	SCREW	1
15	A02976A	GAS CAN 1 1/4 Gallon	
16	UP06839	EAR PLUGS	
17	UP06835	SAFETY GLASSES-Clear	
18	01231D	EXACT MIX(TM) Oil - 1 pint (50:1)	
19	08581	EXACT MIX(TM) Oil - 2.6 oz. (50:1)	
20	UP06778	GOGGLES	
21	UP07694	EAR PROTECTORS	