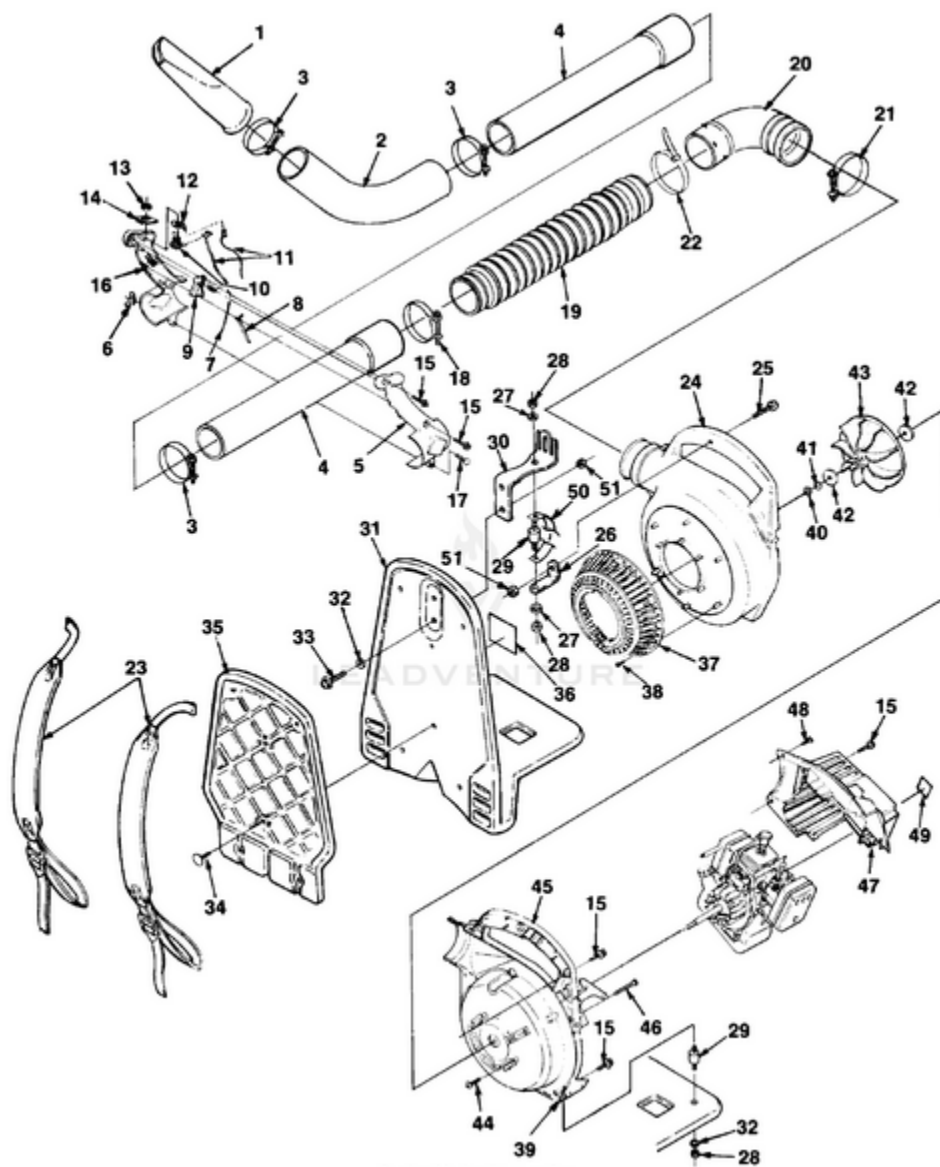


BP250 Back Pack Blower UT-08017 08017-UT BP250 Back Pack Blower UT-08017 BP250 Back Pack Blower - Blower

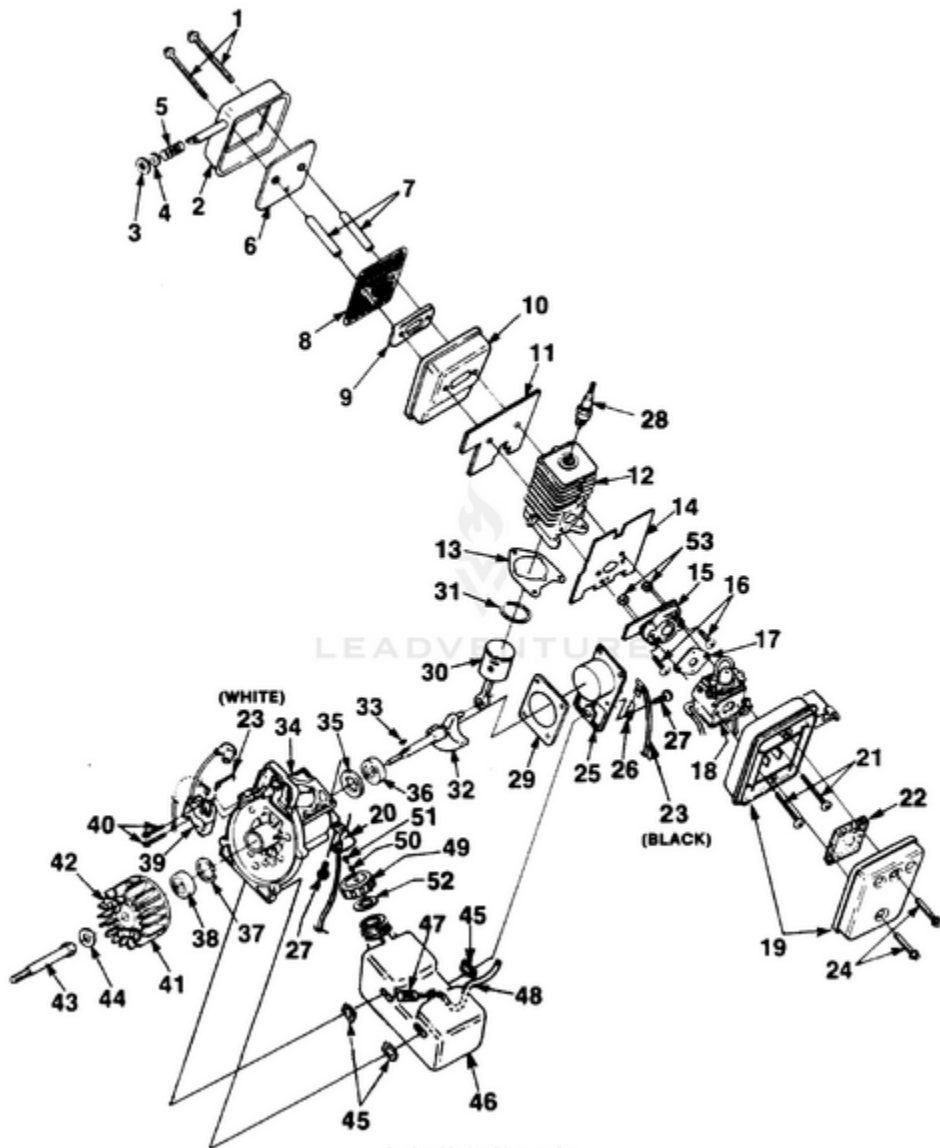


Rendered by LeadVenture, Inc.

| Ref # | Part # | Description | Qty |
|-------|----------|---|-----|
| 1 | 96329B | NOZZLE- Sweeper | 1 |
| 2 | 01774 | TUBE- Curved | 1 |
| 3 | 004333 | CLAMP | 8 |
| 4 | A01780 | TUBING- Straight | 2 |
| 5 | 95723A | HANDLE- Control (right) | 1 |
| 6 | 81281 | NUT- Wing (10-24) | 1 |
| 7 | 01775 | CABLE- Throttle | 1 |
| 8 | 95906A | LATCH- Trigger | 1 |
| 9 | 94452A | TRIGGER | 1 |
| 10 | 93653 | SWITCH- Toggle | 1 |
| 11 | A01777 | LEAD & TERMINAL | 1 |
| 12 | 95782 | WASHER- Grounding | 1 |
| 13 | 72084A1 | NUT- Toggle Switch | 1 |
| 14 | 95231 | PLATE- Indicating | 1 |
| 15 | 70771 | SCREW- Thd. forming plastite (#10 x 3/4") | 7 |
| 16 | 95724A | HANDLE- Control (left) | 1 |
| 17 | 82375 | BOLT- Rib neck (10-24 x 7/8") | 1 |
| 18 | 004331 | CLAMP | 1 |
| 19 | 01772 | BELLOWS- Plastic | 1 |
| 20 | 01771 | ELBOW- Curved | 1 |
| 21 | 004335 | CLAMP | 1 |
| 22 | JA375487 | TIE- Cable | 1 |
| 23 | 01776 | HARNESS- Shoulder | 2 |
| 24 | 003162 | HOUSING- Volute (outer) | 1 |
| 25 | 82554 | SCREW- (1/4-20 x 1 1/4") | 1 |
| 26 | 01765 | BRACKET- Isolator | 1 |
| 27 | 83061 | WASHER- Lock | 2 |
| 28 | 81267 | NUT- Hex (1/4-20) | 4 |
| 29 | 01770 | ISOLATOR | 3 |
| 30 | 01764 | BRACKET- Frame | 1 |
| 31 | 01763 | FRAME | 1 |
| 32 | 84006 | WASHER- Flat (1/4") | 4 |
| 33 | 63407 | SCREW- (1/4-20 x 3/4") | 2 |
| 34 | 01783 | CLIP- Push | 6 |
| 35 | 02023 | PAD- Foam | 1 |
| 36 | 01781 | DECAL- Warning | 1 |
| 37 | 00320 | GRILL | 1 |
| 38 | 82528 | SCREW- Plastite (#6 x 3/8") | 6 |
| 39 | 81280 | NUT- Square (1/4-20) | 2 |
| 40 | 81117 | NUT- Hex (5/16-24) | 1 |
| 41 | 70788 | WASHER- Belleville (5/16") | 1 |

| Ref # | Part # | Description | Qty |
|--------------|---------------|--------------------------------------|------------|
| 42 | 00380 | WASHER- Fan | 2 |
| 43 | 00318 | FAN- Blower | 1 |
| 44 | 82538 | SCREW- Taptite (10-24 x 3/4") | 4 |
| 45 | A00814D | HOUSING- Volute (inner) w/decal | 1 |
| 46 | JA416903 | SCREW-Hex hd. plastite (10 x 1 5/8") | 1 |
| 47 | 00321 | SHROUD | 1 |
| 48 | 82376 | SCREW- Thd. forming (#8 x 1/2") | 3 |
| 49 | 00772 | DECAL- Choke/Run | 1 |
| 50 | 02541 | SAFETY STRAP | 1 |
| 51 | 81204 | NUT- Locking hex | 3 |

BP250 Back Pack Blower UT-08017 08017-UT BP250 Back Pack Blower UT-08017 BP250 Back Pack Blower - Engine & Peripherals

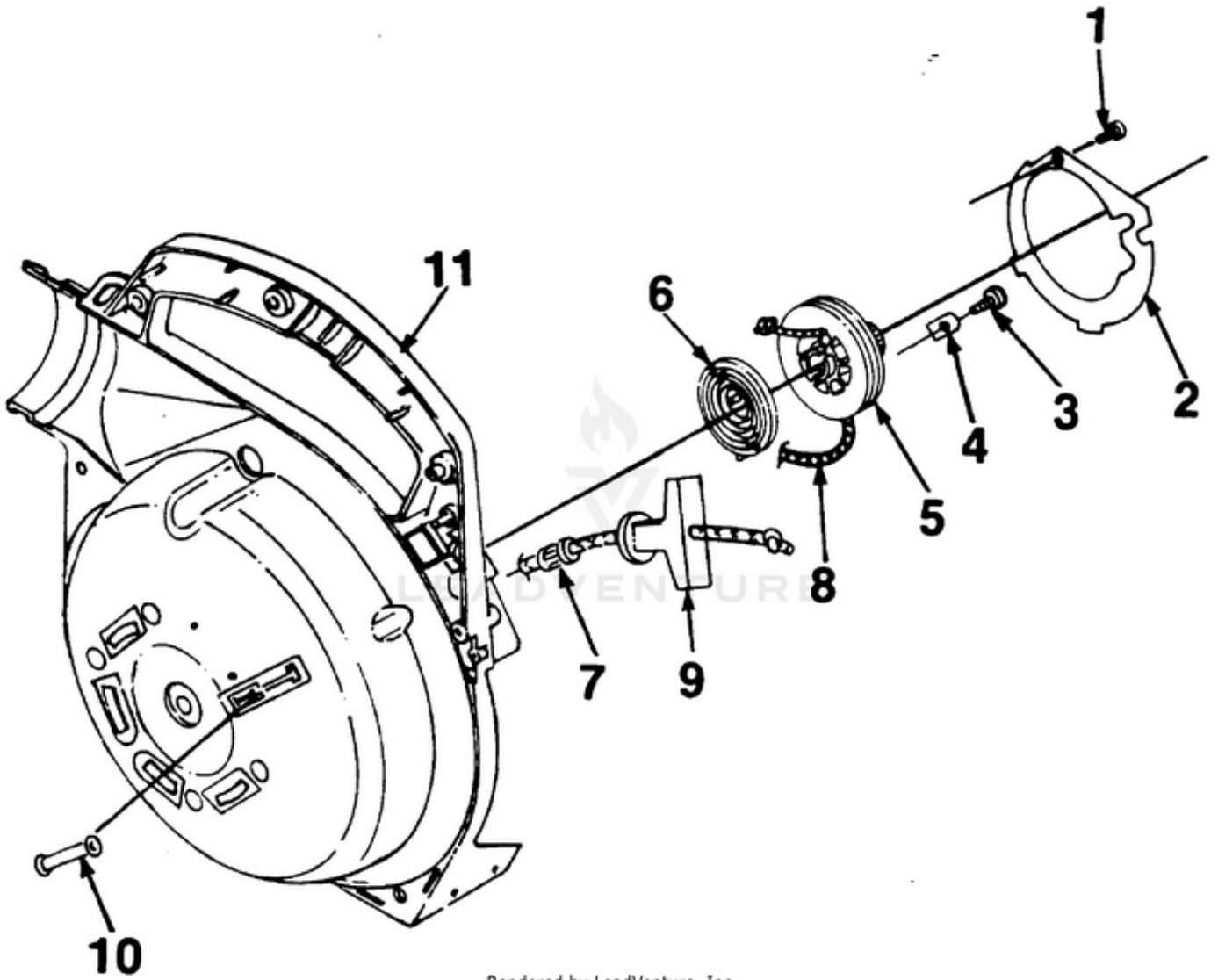


Rendered by LeadVenture, Inc.

| Ref # | Part # | Description | Qty |
|-------|--------|---|-----|
| 1 | 88060 | SCREW- Sems hex hd. (10-24 x 2 1/2") | 2 |
| 2 | A00366 | COVER- Muffler | 1 |
| 3 | 00381 | WASHER- Insulating | 1 |
| 4 | 84117 | WASHER- Flat | 1 |
| 5 | 00387 | SPRING- Compression | 1 |
| 6 | 00777 | DEFLECTOR- Muffler | 1 |
| 7 | 98860A | SPACER- Muffler | 2 |
| 8 | 00388B | SCREEN- Spark Arrestor | 1 |
| 9 | 98783 | PLATE- Reinforcing | 1 |
| 10 | A01323 | BODY- Muffler | 1 |
| 11 | 00394A | GASKET- Muffler | 1 |
| 12 | A00108 | CYLINDER | 1 |
| 13 | 98764 | GASKET | 1 |
| 14 | 00775A | GASKET- Heat dam | 1 |
| 15 | 98768 | HEAT DAM | 1 |
| 16 | 82549 | SCREW | 2 |
| 17 | 98766 | GASKET- Carburetor | 1 |
| 18 | A01769 | CARBURETOR (WT-150) Walbro | 1 |
| | A01768 | CARBURETOR (C1U-H13) Zama | 1 |
| 19 | A01440 | BOX- Air filter | 1 |
| 20 | A01767 | CABLE- Bracket | 1 |
| 21 | 82542 | SCREW- Thd. forming (10-24 x 2 1/4") | 2 |
| 22 | D98760 | FILTER- Air | 1 |
| 23 | A01777 | LEAD & TERMINAL | 1 |
| 24 | 82368 | SCREW- Thd. forming (8-16 x 3/4") | 2 |
| 25 | 98754 | COVER- Crankcase | 1 |
| 26 | 00719 | TERMINAL- Male tab | 1 |
| 27 | 82538 | SCREW- Taptite (#10-24 x 3/4") | 7 |
| 28 | 96169S | SPARK PLUG | 1 |
| 29 | 98767 | GASKET- Crankcase | 1 |
| 30 | A01036 | PISTON & ROD ASSY. | 1 |
| 31 | 96935 | RING- Piston | 1 |
| 32 | 987583 | CRANKSHAFT | 1 |
| 33 | 69250 | KEY- Woodruff | 1 |

| Ref # | Part # | Description | Qty |
|-------|---------|---|-----|
| 34 | A00107 | CRANKCASE ASSY. | 1 |
| 35 | 98800 | SEAL- Shaft | 1 |
| 36 | 98797 | BEARING- Ball | 1 |
| 37 | 98799 | RING- Retaining | 1 |
| 38 | 98798 | BEARING- Ball | 1 |
| 39 | 02008 | MODULE- Ignition (Sawafugi) | 1 |
| | 94711CS | MODULE- Ignition (Phelon) | 1 |
| | 94711CS | MODULE- Ignition (Sems-Walbro) | 1 |
| 40 | 82509 | SCREW-Thd. forming (8-32 x 1") | 2 |
| 41 | A02010 | ROTOR & STARTER PAWL Sawafugi (Black) | 1 |
| | A95007 | ROTOR & STARTER PAWL Phelon/Sems- Walbro (Silver) | 1 |
| 42 | A70285E | STARTER PAWL KIT | 1 |
| 43 | 00377 | ADAPTER- Fan | 1 |
| 44 | 84065 | WASHER- Flat (5/16") | 1 |
| 45 | 98792 | BUMPER- Rubber | 3 |
| 46 | A01441 | TANK- Fuel | 1 |
| 47 | 49422 | FILTER- Fuel | 1 |
| 48 | 9477232 | TUBING- Rubber | 1 |
| 49 | A00982 | FUEL CAP ASSY. | 1 |
| 50 | 98819 | VALVE- Duck Bill | 1 |
| 51 | 98913 | FILTER | 1 |
| 52 | 98805 | GASKET- Fuel cap | 1 |
| 53 | 81208 | NUT | 2 |

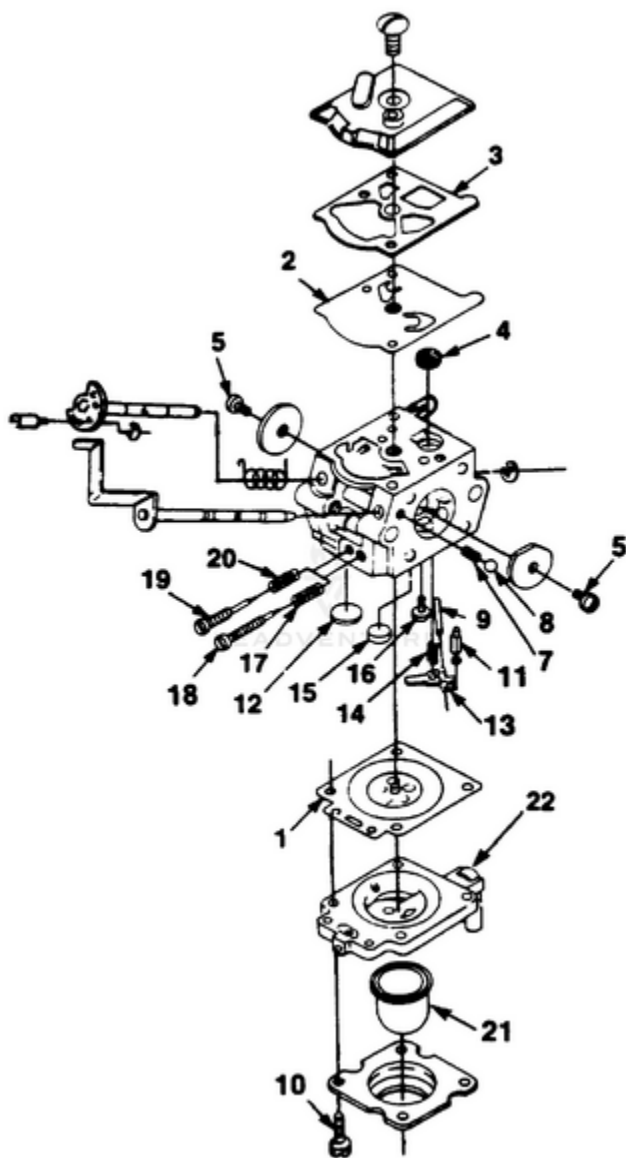
BP250 Back Pack Blower UT-08017 08017-UT BP250 Back Pack Blower UT-08017 BP250 Back Pack Blower
- Starter



Rendered by LeadVenture, Inc.

| Ref # | Part # | Description | Qty |
|--------------|---------------|------------------------------------|------------|
| 1 | 82528 | SCREW- Thd. forming (#6-19 x 3/4") | 1 |
| 2 | 00374 | PLATE- Rotor | 1 |
| 3 | 82511 | SCREW- Thd. forming (10 x 1/2") | 1 |
| 4 | 98791 | BRACKET- Retaining | 1 |
| 5 | 98770 | PULLEY- Starter | 1 |
| 6 | A98773 | SPRING & CONTAINER | 1 |
| 7 | 969811A | BUSHING- Starter | 1 |
| 8 | 97899 | ROPE- Starter 46" | 1 |
| 9 | 70211 | GRIP- Starter rope | 1 |
| 10 | 00364 | BUSHING- Starter rope | 1 |
| 11 | A00814D | HOUSING-Volute (inner) w/decals | 1 |

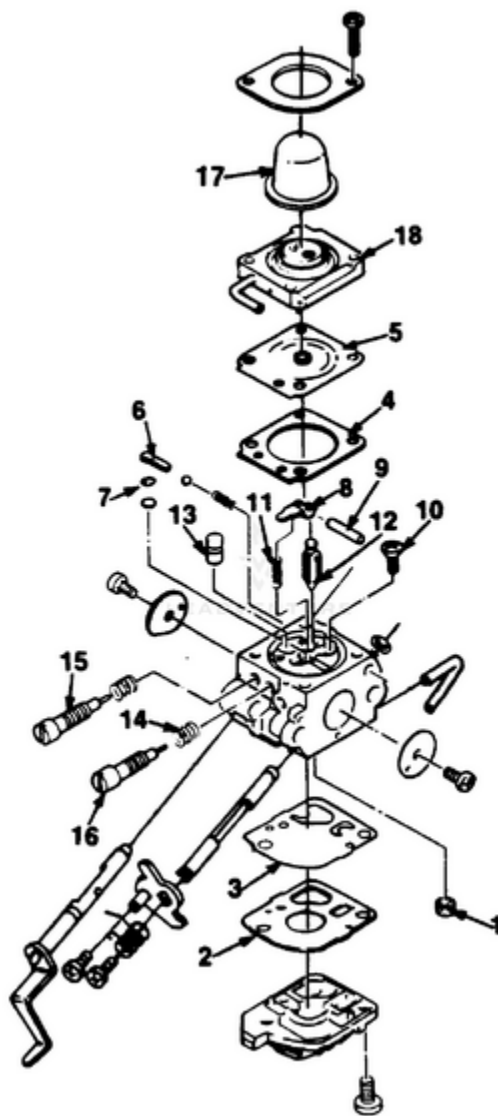
BP250 Back Pack Blower UT-08017 08017-UT BP250 Back Pack Blower UT-08017 BP250 Back Pack Blower - Walbro Carburetor



Rendered by LeadVenture, Inc.

| Ref # | Part # | Description | Qty |
|--------------|---------------|--------------------|------------|
| 1 | A00285 | GASKET KIT | 1 |
| 2 | A00285 | GASKET KIT | 1 |
| 3 | A00285 | GASKET KIT | 1 |
| 4 | A02620 | REPAIR KIT | 1 |
| 5 | A02620 | REPAIR KIT | 1 |
| | A02620 | REPAIR KIT | 1 |
| 7 | A02620 | REPAIR KIT | 1 |
| 8 | A02620 | REPAIR KIT | 1 |
| 9 | A02620 | REPAIR KIT | 1 |
| 10 | A02620 | REPAIR KIT | 1 |
| 11 | A02620 | REPAIR KIT | 1 |
| 12 | A02620 | REPAIR KIT | 1 |
| 13 | A02620 | REPAIR KIT | 1 |
| 14 | A02620 | REPAIR KIT | 1 |
| 15 | A02620 | REPAIR KIT | 1 |
| 16 | A02620 | REPAIR KIT | 1 |
| 17 | A02620 | REPAIR KIT | 1 |
| 18 | A02620 | REPAIR KIT | 1 |
| 19 | A02620 | REPAIR KIT | 1 |
| 20 | A02620 | REPAIR KIT | 1 |
| 21 | 01201 | PRIMER BULB | 1 |
| 22 | A01199 | PRIMER BASE KIT | 1 |

BP250 Back Pack Blower UT-08017 08017-UT BP250 Back Pack Blower UT-08017 BP250 Back Pack Blower - Zama Carburetor



Rendered by LeadVenture, Inc.

| Ref # | Part # | Description | Qty |
|--------------|---------------|----------------------|------------|
| 1 | A01198A | REPAIR KIT | 1 |
| 2 | A01198A | REPAIR KIT | 1 |
| | A01197A | GASKET/DIAPHRAGM KIT | 1 |
| 3 | A01198A | REPAIR KIT | 1 |
| | A01197A | GASKET/DIAPHRAGM KIT | 1 |
| 4 | A01198A | REPAIR KIT | 1 |
| | A01197A | GASKET/DIAPHRAGM KIT | 1 |
| 5 | A01198A | REPAIR KIT | 1 |
| | A01197A | GASKET/DIAPHRAGM KIT | 1 |
| 6 | A01198A | REPAIR KIT | 1 |
| 7 | A01198A | REPAIR KIT | 1 |
| 8 | A01198A | REPAIR KIT | 1 |
| 9 | A01198A | REPAIR KIT | 1 |
| 10 | A01198A | REPAIR KIT | 1 |
| 11 | A01198A | REPAIR KIT | 1 |
| 12 | A01198A | REPAIR KIT | 1 |
| 13 | A01198A | REPAIR KIT | 1 |
| 14 | A01198A | REPAIR KIT | 1 |
| 15 | A01198A | REPAIR KIT | 1 |
| 16 | A01198A | REPAIR KIT | 1 |
| 17 | A01195A | PRIMER BULB KIT | 1 |
| 18 | A01196A | PRIMER BASE KIT | 1 |

| Ref # | Part # | Description | Qty |
|--------------|---------------|------------------------------------|------------|
| 98052 | 98052 | Starter Rope- #3 1/2 (250' Reel) | 1 |
| 2498201 | 2498201 | T-25 Torx bit (1/4" shank) | 1 |
| 2498202 | 2498202 | T-25 Torx bit (5/16" shank) | 1 |
| 17789 | 17789 | Carburetor Repair Tool Kit | 1 |
| JA313164 | JA313164 | Surface Gap Plug Ignition Tester | 1 |
| 23488C | 23488C | Thread Locking Compound | 1 |
| 22486 | 22486 | Shim (.015")- Air gap | 1 |
| 22828 | 22828 | Internal Snap Ring Pilers | 1 |
| A-02515 | A02515 | Gutter Maintenance Kit | 1 |
| 97581 | 97581 | Plastic Tubings (2-3 ft. sections) | 1 |
| 97580 | 97580 | Plastic Elbows (2) | 1 |
| 64598 | 64598 | Safety Goggles | 1 |