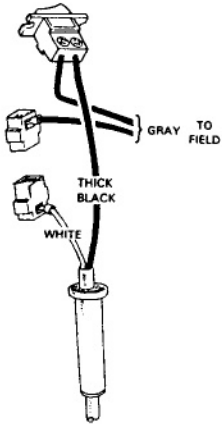


WIRING DIAGRAM



IMPORTANT — To assure product **SAFETY** and **RELIABILITY**, repairs, maintenance or adjustments should be performed by **MAKITA** Service Centers or other qualified service organizations. Always use **MAKITA** replacement parts.

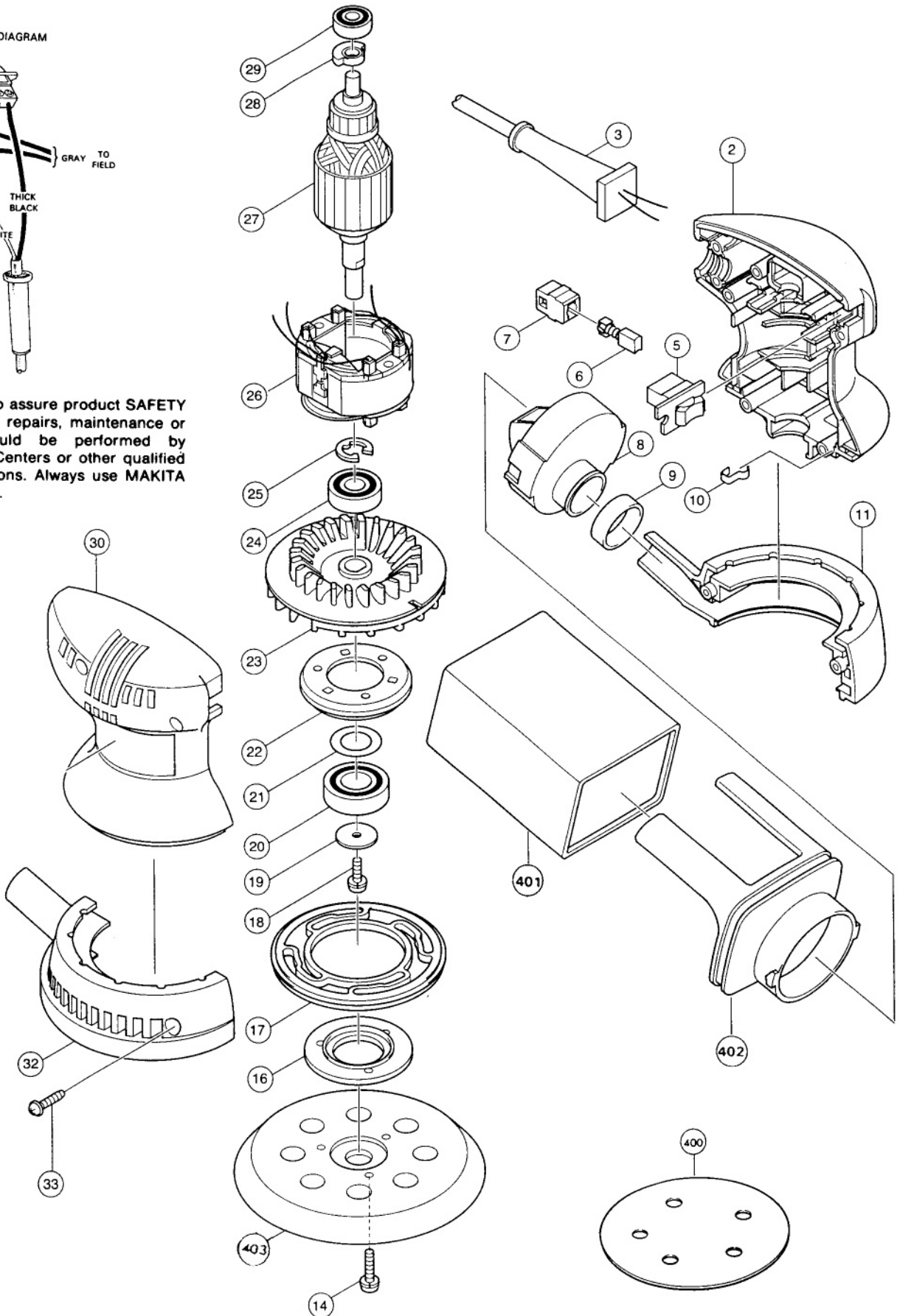


Fig.	Part No.	Qty. Used	Description	Fig.	Part No.	Qty. Used	Description
2	183048-8	1	MOTOR HSG. SET (Incl. Fig. 30)	24	210020-8	1	BALL BEARING 6000DDU
3	660200-0	1	POWER SUPPLY CORD	25	961015-1	1	STOP RING E-9
5	651513-0	1	SWITCH (ON/OFF)	26	593381-4	1	FIELD ASS'Y 115V
6	191956-9	1	CARBON BRUSH 75 SET	27	517231-9	1	ARMATURE ASS'Y 115V (Incl. Fig. 24, 24, 28, & 29)
7	643552-4	2	BRUSH HOLDER 5-8	28	313080-0	1	COUNTER WEIGHT
8	416064-8	1	DUST NOZZLE	29	210021-6	1	BALL BEARING 607DDU
9	257202-1	1	RING 25	30	183048-8	1	MOTOR HSG. SET (Incl. Fig.2 & 2ea. Rubber pin 4)
10	232166-0	2	LEAF SPRING	32	183088-6	1	SKIRT SET (Incl. Fig. 11)
11	182922-7	1	SKIRT SET (Incl. Fig. 32)	33	265995-6	7	TAPPING SCREW 4x18
14	911128-8	3	P.H. SCREW M4x16	ACCESSORIES			
16	316834-4	1	BEARING BOX COVER	400	794520-1	1	5" ABR. DISC #120 (5/Pkg.)
17	416062-2	1	BRAKE RING	401	166047-5	1	DUST BAG
18	911116-5	1	P.H. SCREW M4x12	402	416063-0	1	DUST BAG NOZZLE
19	253739-6	1	FLAT WASHER 4	403	743051-7	1	BASE/PAD
20	211227-9	1	B. BEARING 6002DDW				
21	253315-6	1	THIN WASHER 15				
22	316835-2	1	BEARING BOX				
23	241896-2	1	FAN 88				