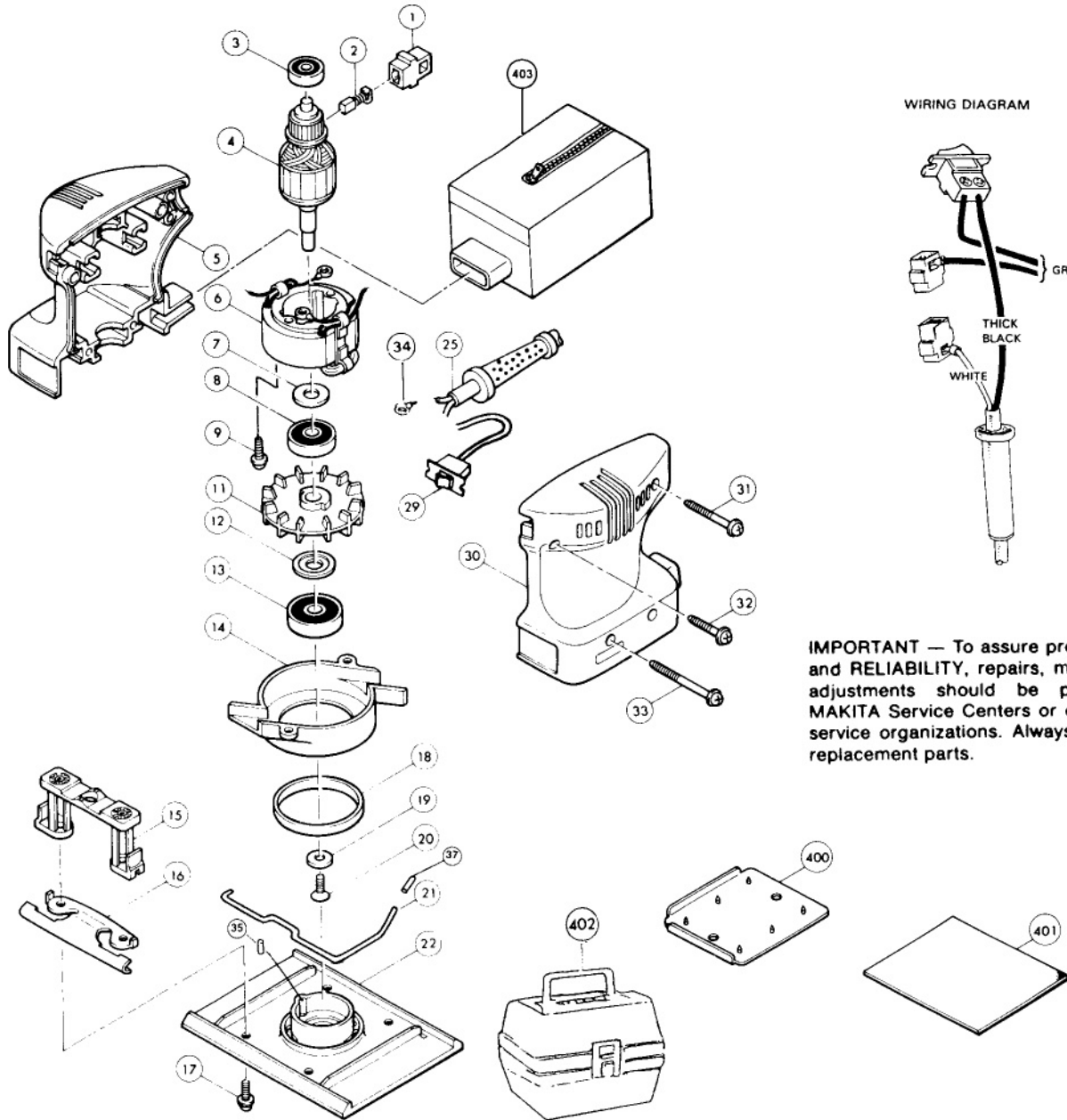




FINISHING SANDER

Model BO4552



IMPORTANT — To assure product **SAFETY** and **RELIABILITY**, repairs, maintenance or adjustments should be performed by **MAKITA** Service Centers or other qualified service organizations. Always use **MAKITA** replacement parts.

Fig.	Part No.	Qty. Used	Description	Fig.	Part No.	Qty. Used	Description
1	643552-4	2	BRUSH HOLDER	22	151427-8	1	BASE COMPLETE (Incl. Fig. 18, 35)
2	643066-3	1	CARBON BRUSH 66	25	664425-8	1	CORD
3	211016-2	1	BALL BEARING 626LLB	29	651513-0	1	SWITCH
4	611566-1	1	ARMATURE (Incl. Fig. 3, 7 & 8)	30	181952-5	1	HOUSING SET (Incl. Fig. 5)
5	181952-5	1	HOUSING SET (Incl. Fig. 30)	31	265876-4	1	TAPPING SCREW BT4X40
6	639302-3	1	FIELD	32	265875-6	1	TAPPING SCREW BT4X25
7	253214-2	1	FLAT WASHER 9	33	265872-2	2	TAPPING SCREW BT4X50
8	211056-0	1	BALL BEARING 629LLB	34	654078-1	1	TERMINAL RING
9	265871-4	2	TAPPING SCREW BT4X16	35	263002-9	1	RUBBER PIN 4
11	241658-8	1	FAN	37	415551-4	2	CAP 5
12	213051-6	1	DUST SEAL 10	ACCESSORIES			
13	211066-7	1	BALL BEARING 6200LLB	400	163355-5	1	PUNCH PLATE
14	410752-9	1	BAFFLE PLATE	401	742509-3	1	ABRASIVE PAPER # 60
15	411343-9	2	FOOT	401	742510-8	1	ABRASIVE PAPER # 100
16	344123-7	2	CLAMP	401	742511-6	1	ABRASIVE PAPER # 150
17	251364-7	4	P.H. SCREW M4X14	402	824427-8	1	PLASTIC TOOL CASE
18	262512-3	1	RUBBER SLEEVE 48	403	166027-1	1	DUST BAG
19	253825-3	1	FLAT WASHER 6				
20	912117-6	1	C.S.H. SCREW M4X12				
21	322685-5	2	LEVER				