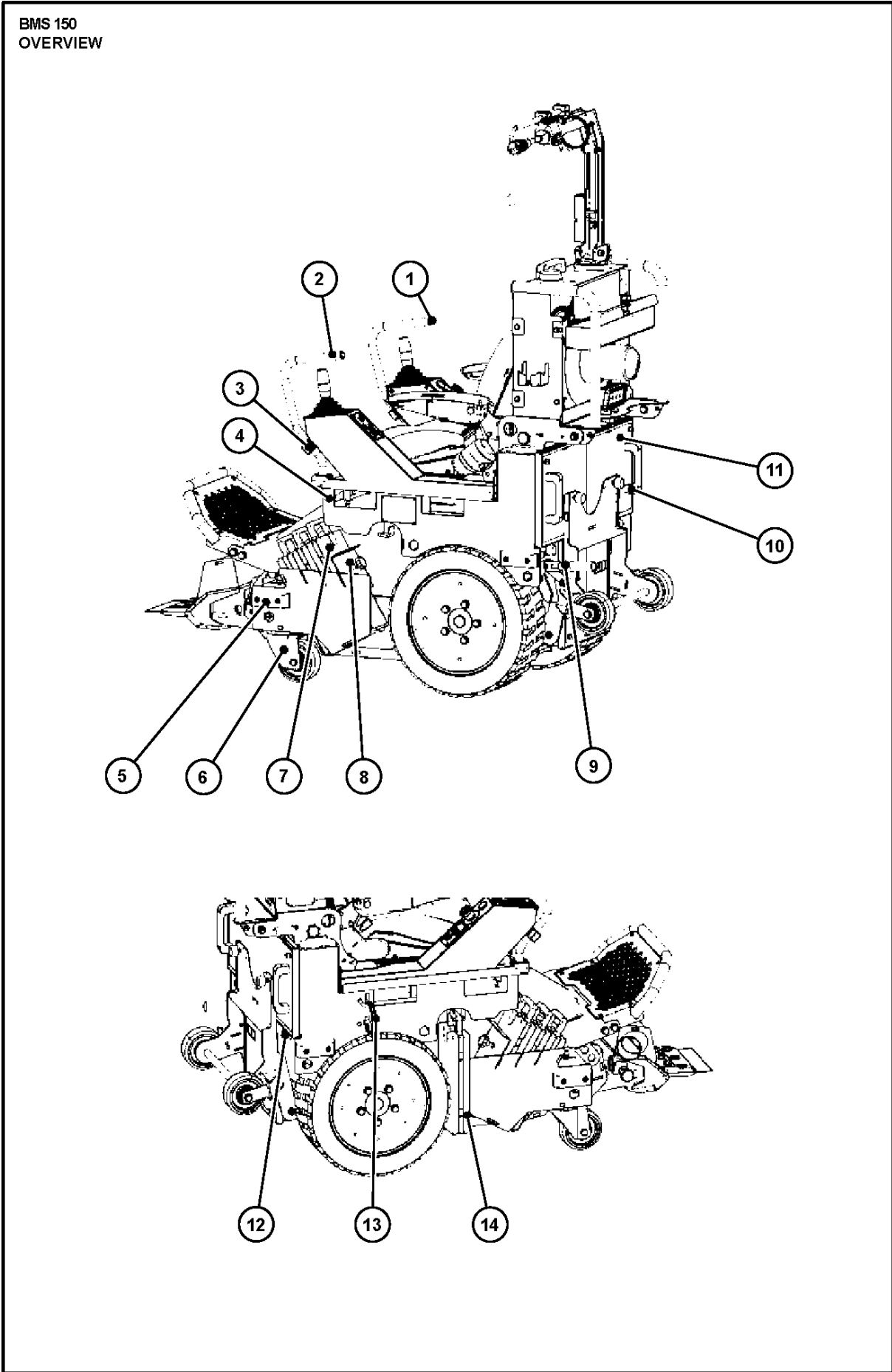




# SPARE PARTS LIST

SCRAPERS

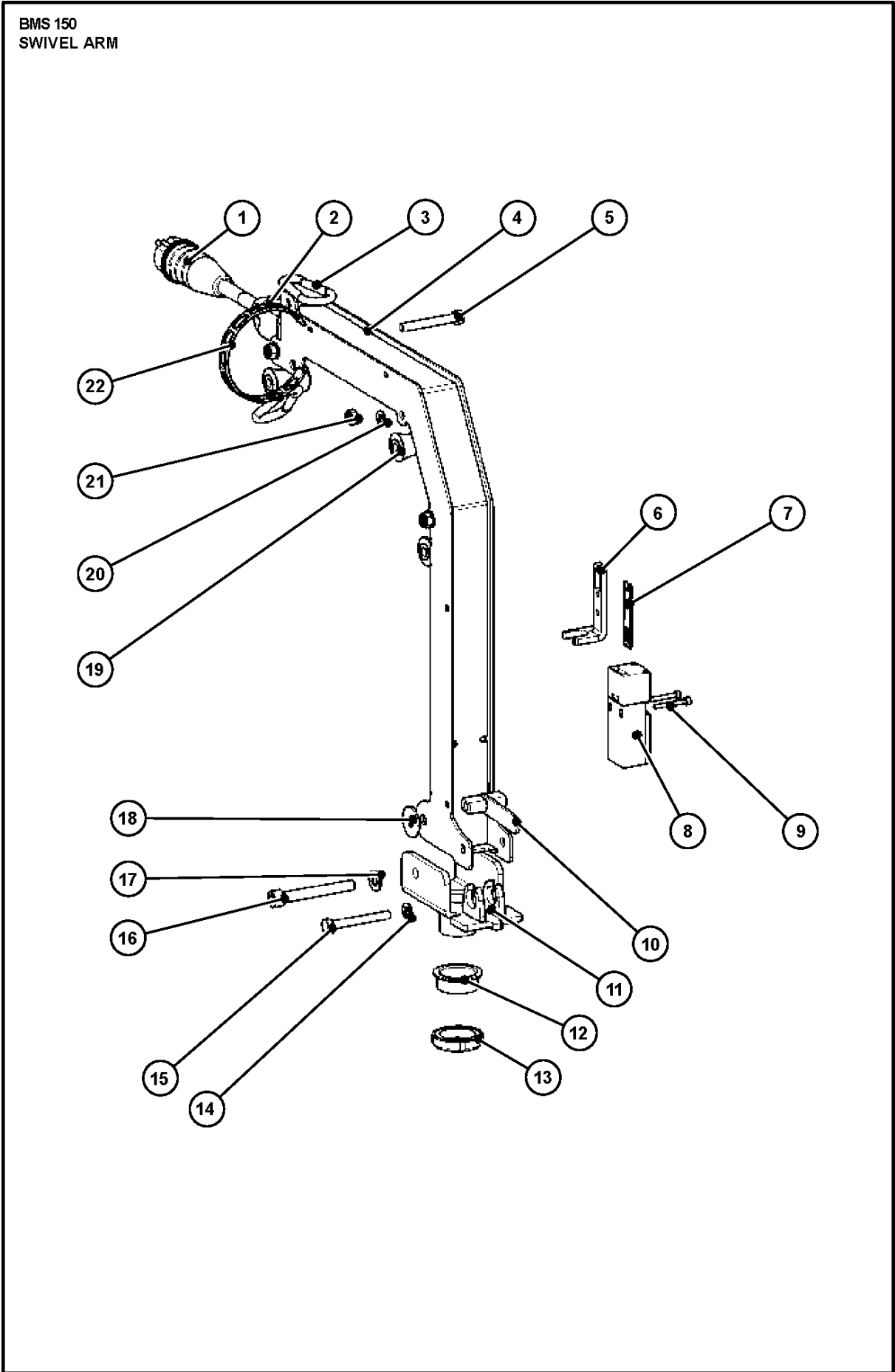
BMS 150, 2022-04



## OVERVIEW

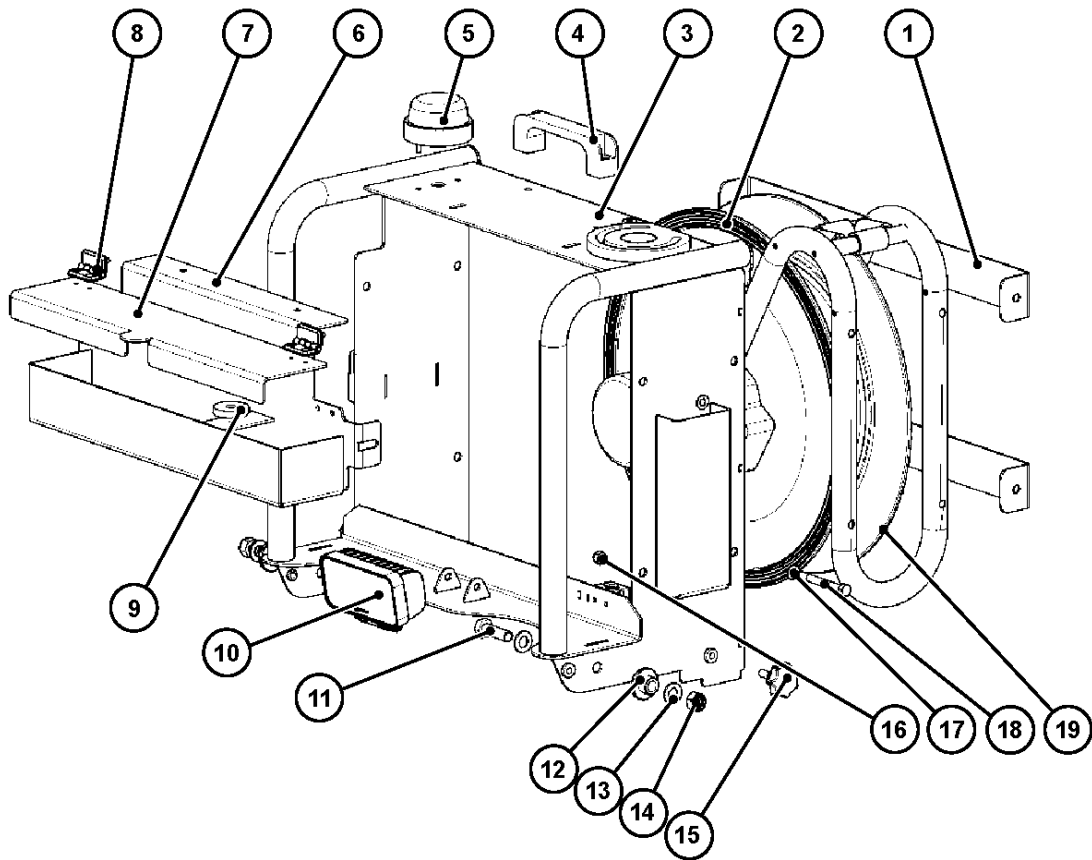
BMS 150, 2022-04

| Ref | Part No      | Description    | Remark         | QTY KIT |
|-----|--------------|----------------|----------------|---------|
| 1   | 534 77 89-01 | CAP            | CAP            | 2       |
| 2   | 534 64 76-01 | JOYSTICK       | JOYSTICK       | 2       |
| 3   | 534 75 72-01 | PIPE CLAMP     | PIPE CLAMP     | 4       |
| 4   | 535 21 12-01 | FRAME          | FRAME          | 1       |
| 5   | 534 78 13-01 | STRIP          | STRIP          | 4       |
| 6   | 534 88 76-01 | SWIVEL         | SWIVEL         | 2       |
| 7   | 533 43 70-01 | WEIGHT         | WEIGHT         | 6       |
| 8   | 535 17 10-01 | UNIT           | UNIT           | 2       |
| 9   | 535 26 15-01 | HANDLE         | HANDLE         | 1       |
| 10  | 534 61 68-01 | HANDLE         | HANDLE         | 2       |
| 11  | 535 16 52-01 | ELECTRONIC BOX | ELECTRONIC BOX | 1       |
| 12  | 533 26 76-01 | BUMPER         | BUMPER         | 2       |
| 13  | 533 08 88-01 | CHAIN          | CHAIN          | 1       |
| 14  | 533 03 28-01 | WEIGHT         | WEIGHT         | 2       |



| Ref | Part No      | Description   | Remark        | QTY KIT |
|-----|--------------|---------------|---------------|---------|
| 1   | 534 76 75-01 | PLUG          | PLUG          | 1       |
| 2   | 534 37 88-01 | REEL          | REEL          | 1       |
| 3   | 533 21 40-01 | HOOK          | HOOK          | 2       |
| 4   | 534 88 83-01 | SWIVEL        | SWIVEL        | 1       |
| 5   | 900 00 00-02 | DUMMY PART    | DUMMY PART    | 3       |
| 6   | 535 20 70-01 | LOCKING PLATE | LOCKING PLATE | 1       |
| 7   | 533 28 91-01 | KEY           | KEY           | 1       |
| 8   | 533 38 74-01 | SWITCH        | SWITCH        | 1       |
| 9   | 900 00 00-02 | DUMMY PART    | DUMMY PART    | 2       |
| 10  | 535 20 60-01 | LOCKING LEVER | LOCKING LEVER | 1       |
| 11  | 534 88 12-01 | SWIVEL        | SWIVEL        | 1       |
| 12  | 534 75 89-01 | BEARING       | BEARING       | 1       |
| 13  | 900 00 00-02 | DUMMY PART    | DUMMY PART    | 1       |
| 14  | 900 00 00-02 | DUMMY PART    | DUMMY PART    | 1       |
| 15  | 900 00 00-02 | DUMMY PART    | DUMMY PART    | 1       |
| 16  | 900 00 00-02 | DUMMY PART    | DUMMY PART    | 1       |
| 17  | 900 00 00-02 | DUMMY PART    | DUMMY PART    | 1       |
| 18  | 900 00 00-02 | DUMMY PART    | DUMMY PART    | 2       |
| 19  | 534 37 89-01 | CABLE         | CABLE         | 5       |
| 20  | 900 00 00-02 | DUMMY PART    | DUMMY PART    | 3       |
| 21  | 900 00 00-02 | DUMMY PART    | DUMMY PART    | 3       |
| 22  | 533 08 88-01 | CHAIN         | CHAIN         | 1       |

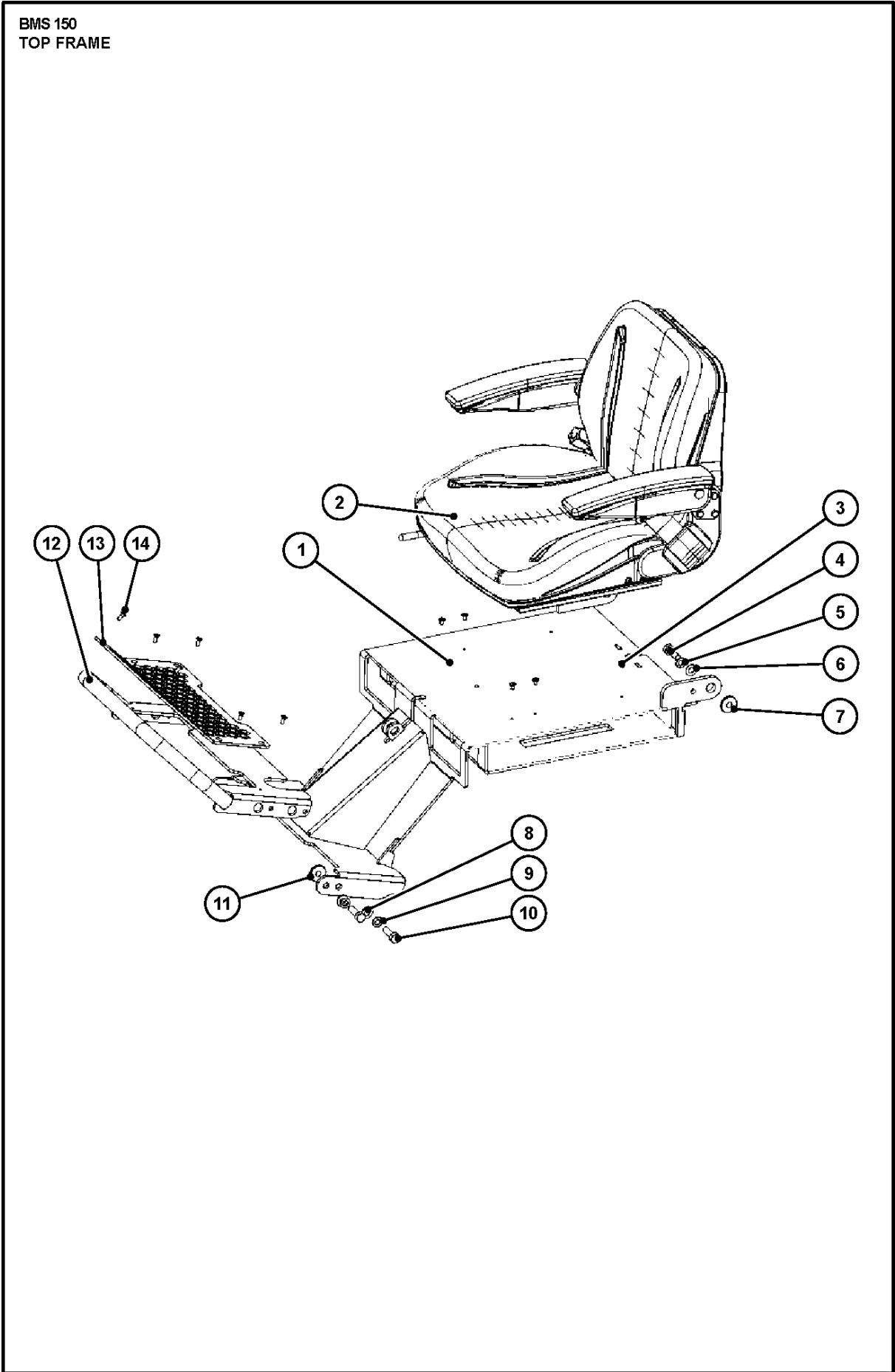
BMS 150  
CABLE ROLL BRACKET, SWIVEL ARM



## BRACKET

BMS 150, 2022-04

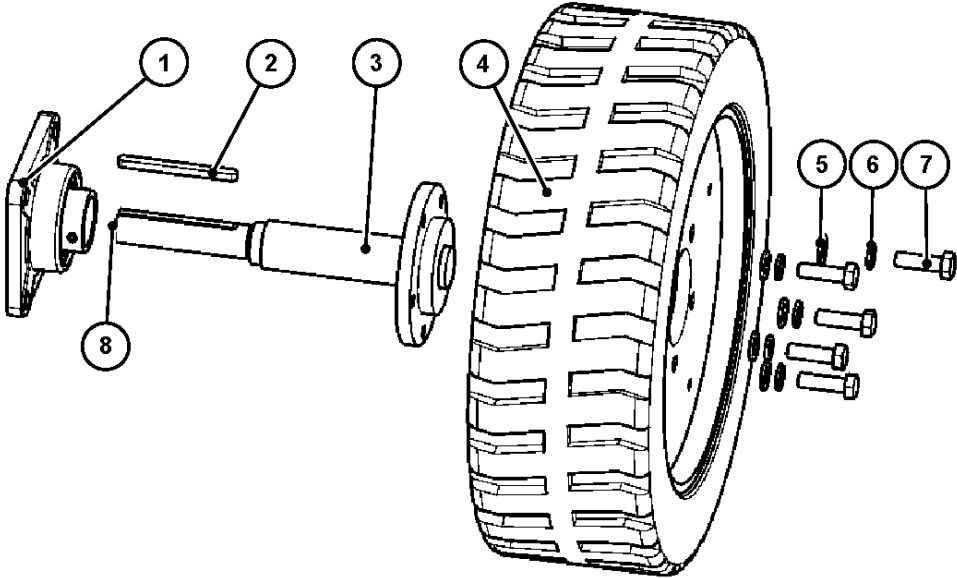
| Ref | Part No      | Description | Remark     | QTY KIT |
|-----|--------------|-------------|------------|---------|
| 1   | 535 15 20-01 | STRIP       | STRIP      | 2       |
| 2   | 534 37 88-01 | REEL        | REEL       | 1       |
| 3   | 535 14 57-01 | CABLE       | CABLE      | 1       |
| 4   | 534 61 68-01 | HANDLE      | HANDLE     | 1       |
| 5   | 534 84 30-01 | LAMP        | LAMP       | 1       |
| 6   | 535 25 56-01 | TOOL KIT    | TOOL KIT   | 1       |
| 7   | 535 15 88-01 | COVER       | COVER      | 1       |
| 8   | 533 56 54-01 | HINGE       | HINGE      | 2       |
| 9   | 533 21 33-01 | MAGNET      | MAGNET     | 1       |
| 10  | 534 66 24-01 | LIGHT       | LIGHT      | 1       |
| 11  | 900 00 00-02 | DUMMY PART  | DUMMY PART | 2       |
| 12  | 533 25 06-01 | BUSHING     | BUSHING    | 2       |
| 13  | 900 00 00-02 | DUMMY PART  | DUMMY PART | 4       |
| 14  | 900 00 00-02 | DUMMY PART  | DUMMY PART | 2       |
| 15  | 534 37 83-01 | CABLE ASSY  | CABLE ASSY | 2       |
| 16  | 900 00 00-02 | DUMMY PART  | DUMMY PART | 8       |
| 17  | 900 00 00-02 | DUMMY PART  | DUMMY PART | 16      |
| 18  | 900 00 00-02 | DUMMY PART  | DUMMY PART | 8       |
| 19  | 534 66 78-01 | STRAINER    | STRAINER   | 1       |





| Ref | Part No      | Description | Remark     | QTY KIT |
|-----|--------------|-------------|------------|---------|
| 1   | 535 25 63-01 | FRAME       | FRAME      | 1       |
| 2   | 533 92 50-01 | SEAT        | SEAT       | 1       |
| 3   | 900 00 00-02 | DUMMY PART  | DUMMY PART | 6       |
| 4   | 900 00 00-02 | DUMMY PART  | DUMMY PART | 2       |
| 5   | 900 00 00-02 | DUMMY PART  | DUMMY PART | 2       |
| 6   | 900 00 00-02 | DUMMY PART  | DUMMY PART | 2       |
| 7   | 533 25 06-01 | BUSHING     | BUSHING    | 2       |
| 8   | 900 00 00-02 | DUMMY PART  | DUMMY PART | 4       |
| 9   | 900 00 00-02 | DUMMY PART  | DUMMY PART | 2       |
| 10  | 900 00 00-02 | DUMMY PART  | DUMMY PART | 2       |
| 11  | 533 25 06-01 | BUSHING     | BUSHING    | 2       |
| 12  | 535 18 02-01 | FRAME       | FRAME      | 1       |
| 13  | 535 18 07-01 | PLATE       | PLATE      | 1       |

BMS 150  
DRIVE WHEELS

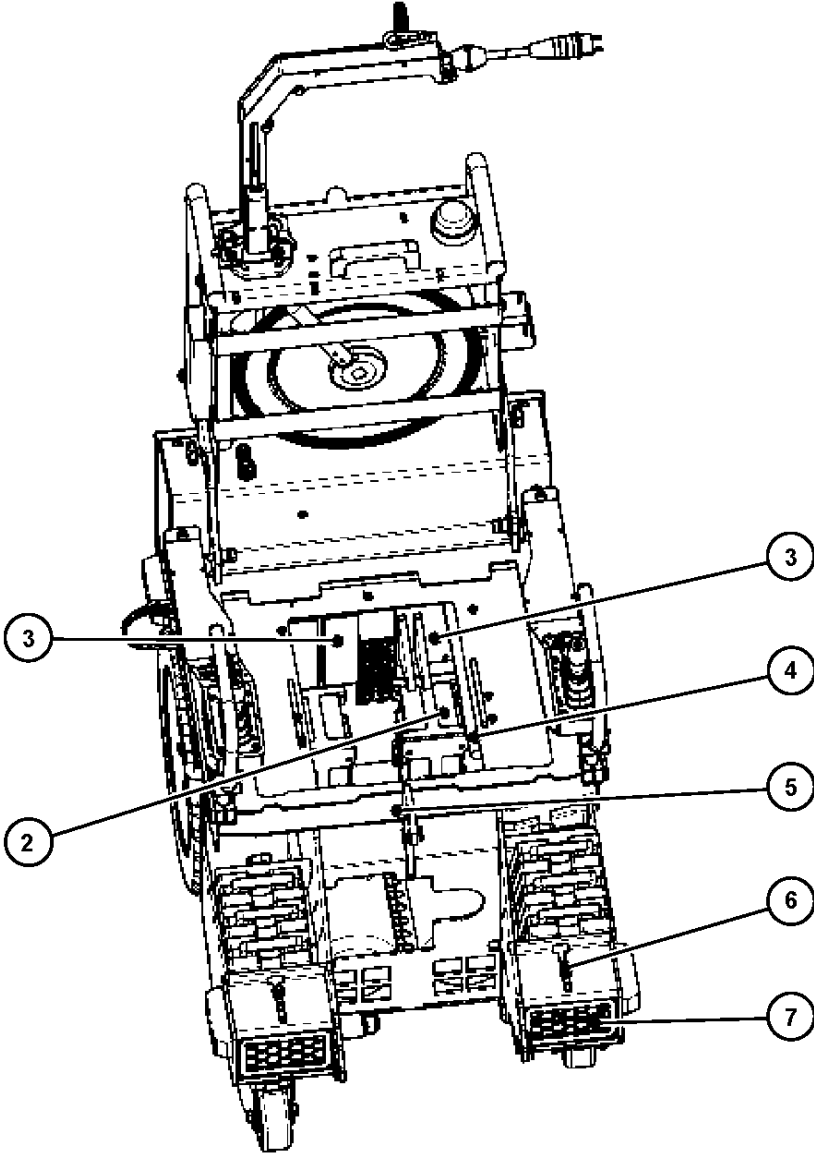


DRIVE WHEEL ASSY

BMS 150, 2022-04

| Ref | Part No      | Description | Remark     | QTY KIT |
|-----|--------------|-------------|------------|---------|
| 1   | 534 36 10-01 | PIVOT       | PIVOT      | 1       |
| 2   | 900 00 00-02 | DUMMY PART  | DUMMY PART | 1       |
| 3   | 535 16 59-01 | AXLE        | AXLE       | 1       |
| 4   | 533 76 89-01 | REAR WHEEL  | REAR WHEEL | 1       |
| 5   | 533 25 07-01 | WASHER      | WASHER     | 5       |
| 6   | 533 28 87-01 | WASHER      | WASHER     | 5       |
| 7   | 533 85 57-01 | SCREW       | SCREW      | 5       |

BMS 150  
MOTOR COMPARTMENT

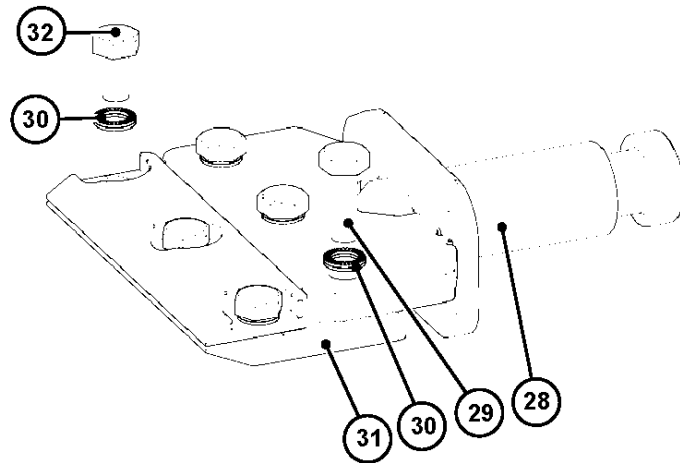
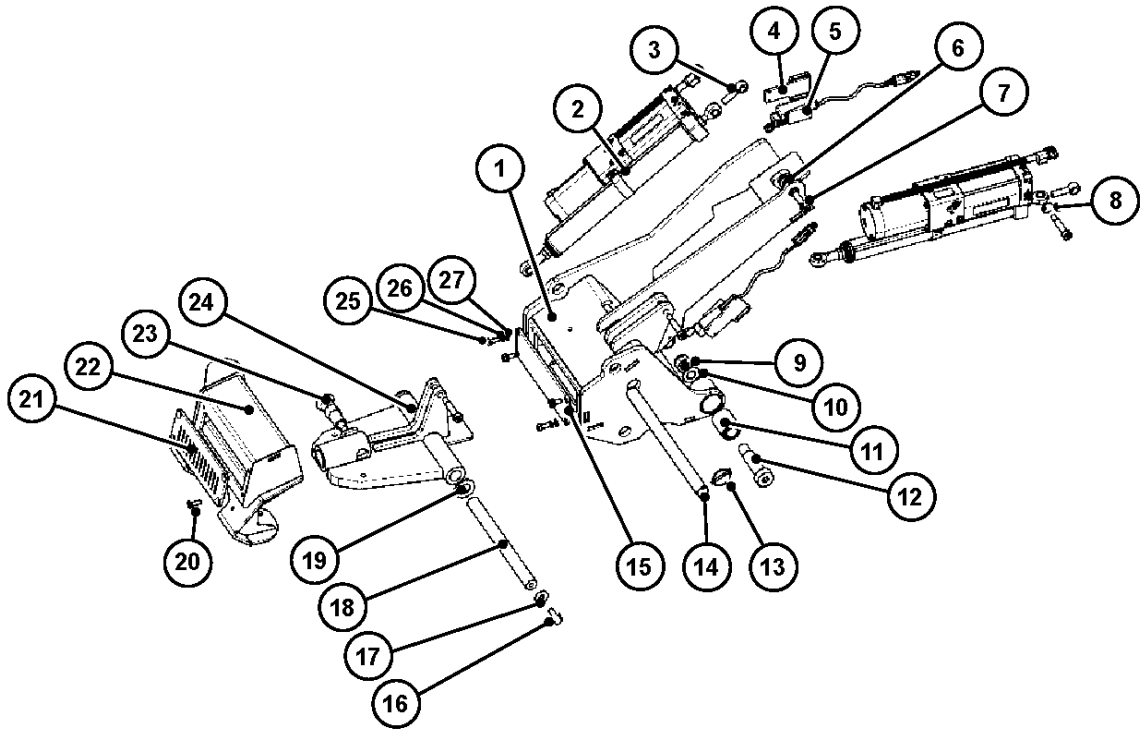


MOTOR

BMS 150, 2022-04

| Ref | Part No      | Description | Remark      | QTY KIT |
|-----|--------------|-------------|-------------|---------|
| 1   | 534 36 61-01 | BRAKE       | BRAKE       | 2       |
| 1   | 534366102    | TBD         | BRAKE       | 2       |
| 2   | 534 52 53-01 | DRIVE MOTOR | DRIVE MOTOR | 2       |
| 2   | 534 70 04-01 | MOTOR       | MOTOR       | 2       |
| 3   | 534 26 07-01 | ACTUATOR    | ACTUATOR    | 1       |
| 4   | 534 67 29-01 | AXLE        | AXLE        | 1       |
| 5   | 535 21 12-01 | FRAME       | FRAME       | 1       |
| 6   | 534 66 24-01 | LIGHT       | LIGHT       | 2       |
| 7   | 535 19 22-01 | COVER       | COVER       | 2       |

BMS 150  
CUTTING HEAD

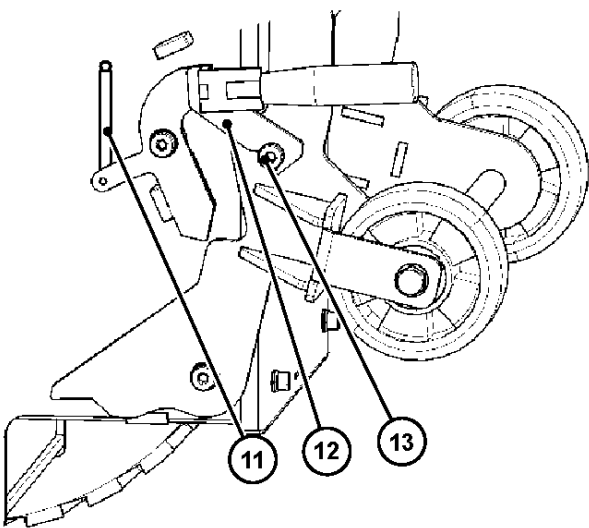
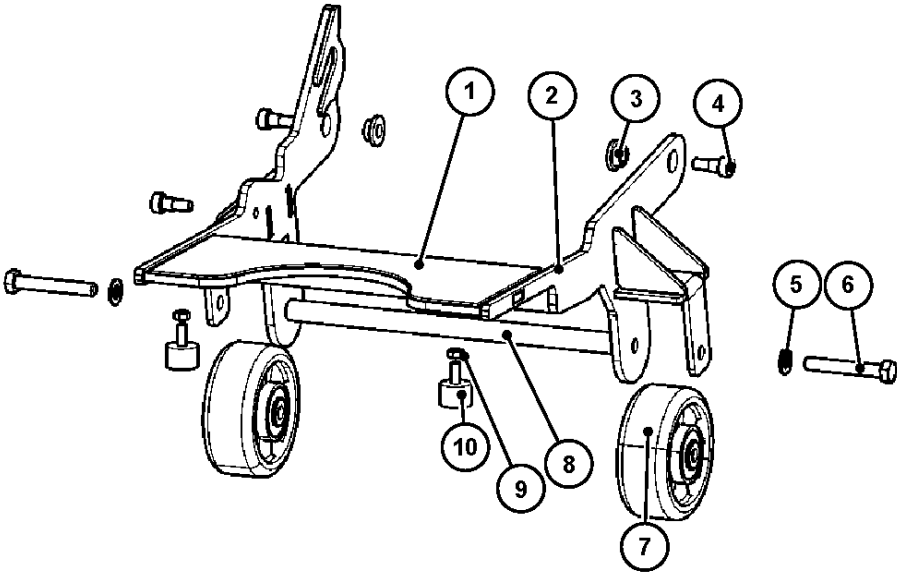


## CUTTING HEAD

BMS 150, 2022-04

| Ref | Part No      | Description  | Remark       | QTY KIT |
|-----|--------------|--------------|--------------|---------|
| 1   | 534 67 47-01 | LIFTING ARM  | LIFTING ARM  | 1       |
| 2   | 534 54 21-01 | CYLINDER     | CYLINDER     | 2       |
| 3   | 534 81 09-01 | ROD          | ROD          | 2       |
| 4   | 535 20 45-01 | BRACKET      | BRACKET      | 2       |
| 5   | 533 29 60-01 | SWITCH       | SWITCH       | 2       |
| 6   | 900 00 00-02 | DUMMY PART   | DUMMY PART   | 2       |
| 7   | 534 67 63-01 | BOLT         | BOLT         | 3       |
| 8   | 900 00 00-02 | DUMMY PART   | DUMMY PART   | 3       |
| 9   | 900 00 00-02 | DUMMY PART   | DUMMY PART   | 2       |
| 10  | 900 00 00-02 | DUMMY PART   | DUMMY PART   | 2       |
| 11  | 534 90 65-01 | BUSH         | BUSH         | 2       |
| 12  | 534 83 75-01 | BOLT         | BOLT         | 2       |
| 13  | 900 00 00-02 | DUMMY PART   | DUMMY PART   | 2       |
| 14  | 534 67 29-01 | AXLE         | AXLE         | 1       |
| 15  | 534 42 38-01 | COVER        | COVER        | 2       |
| 16  | 900 00 00-02 | DUMMY PART   | DUMMY PART   | 2       |
| 17  | 900 00 00-02 | DUMMY PART   | DUMMY PART   | 2       |
| 18  | 534 42 37-01 | AXLE         | AXLE         | 1       |
| 19  | 534 86 36-01 | SPACER RING  | SPACER RING  | 2       |
| 20  | 900 00 00-02 | DUMMY PART   | DUMMY PART   | 4       |
| 21  | 534 41 56-01 | COVER        | COVER        | 1       |
| 22  | 534 54 15-01 | DEFLECTOR    | DEFLECTOR    | 1       |
| 23  | 533 27 17-01 | LOCKING PIN  | LOCKING PIN  | 1       |
| 24  | 535 15 95-01 | HEAD         | HEAD         | 1       |
| 25  | 900 00 00-02 | DUMMY PART   | DUMMY PART   | 4       |
| 26  | 900 00 00-02 | DUMMY PART   | DUMMY PART   | 4       |
| 27  | 900 00 00-02 | DUMMY PART   | DUMMY PART   | 4       |
| 28  | 534 90 44-01 | HOLDER       | HOLDER       | 1       |
| 29  | 900 00 00-02 | DUMMY PART   | DUMMY PART   | 3       |
| 30  | 900 00 00-02 | DUMMY PART   | DUMMY PART   | 6       |
| 31  | 534 32 90-01 | BLADE HOLDER | BLADE HOLDER | 1       |
| 32  | 900 00 00-02 | DUMMY PART   | DUMMY PART   | 3       |

BMS 150  
WHEEL HUB



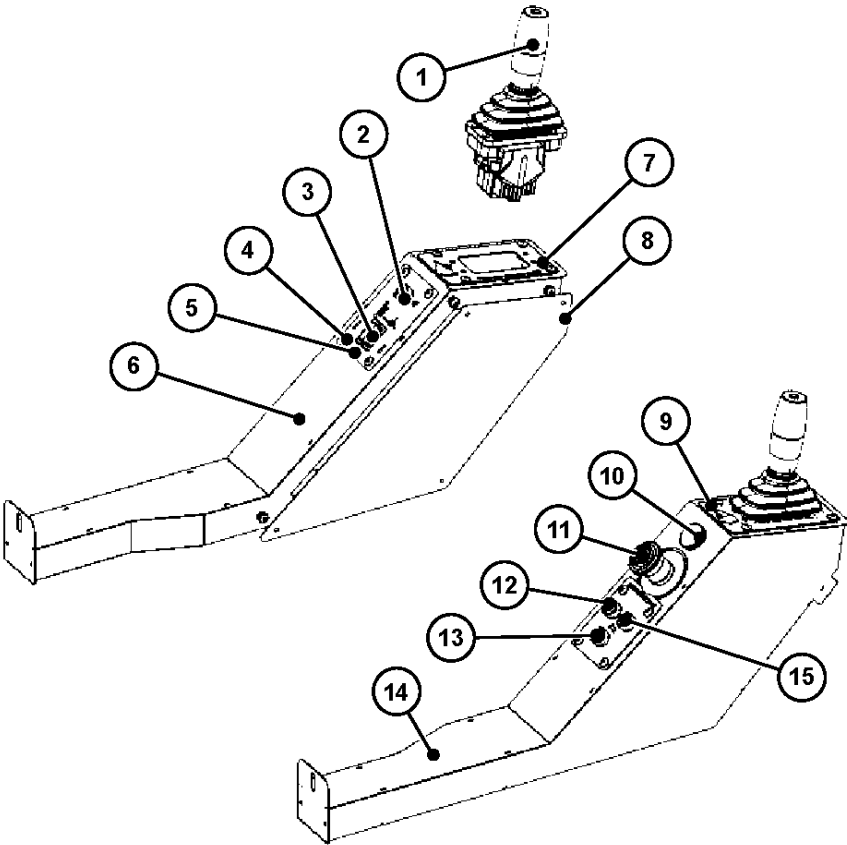


## WHEEL BRACKET, LOWER

BMS 150, 2022-04

| Ref | Part No      | Description | Remark     | QTY KIT |
|-----|--------------|-------------|------------|---------|
| 1   | 536993901    | TBD         | PLATE      | 1       |
| 2   | 535 27 05-01 | HUB         | HUB        | 1       |
| 3   | 536993801    | TBD         | BUSH       | 2       |
| 4   | 900 00 00-02 | DUMMY PART  | DUMMY PART | 2       |
| 5   | 900 00 00-02 | DUMMY PART  | DUMMY PART | 2       |
| 6   | 900 00 00-02 | DUMMY PART  | DUMMY PART | 2       |
| 7   | 534 94 31-01 | WHEEL       | WHEEL      | 2       |
| 8   | 535 16 34-01 | AXLE        | AXLE       | 1       |
| 9   | 900 00 00-02 | DUMMY PART  | DUMMY PART | 2       |
| 10  | 533 26 76-01 | BUMPER      | BUMPER     | 2       |
| 11  | 534 86 82-01 | SPRING      | SPRING     | 1       |
| 12  | 535 26 15-01 | HANDLE      | HANDLE     | 1       |
| 13  | 900 00 00-02 | DUMMY PART  | DUMMY PART | 3       |

BMS 150  
CONTROLS



## CONTROLS

BMS 150, 2022-04

| Ref | Part No      | Description | Remark      | QTY KIT |
|-----|--------------|-------------|-------------|---------|
| 1   | 535 64 02-01 | JOYSTICK    | JOYSTICK    | 2       |
| 2   | 536994501    | TBD         | BUTTON      | 1       |
| 3   | 536 61 79-01 | SWITCH      | SWITCH      | 1       |
| 4   | 900 00 00-02 | DUMMY PART  | DUMMY PART  | 16      |
| 5   | 536994101    | TBD         | PLATE       | 1       |
| 6   | 535 15 40-01 | BOX         | BOX         | 1       |
| 7   | 536994201    | TBD         | PLATE       | 1       |
| 8   | 535 15 86-01 | COVER       | COVER       | 2       |
| 9   | 536994301    | TBD         | PLATE       | 1       |
| 10  | 533 53 64-01 | LIGHT       | LIGHT       | 1       |
| 11  | 534 95 99-01 | PUSH BUTTON | PUSH BUTTON | 1       |
| 12  | 536994001    | TBD         | BUTTON      | 1       |
| 13  | 536994601    | TBD         | BUTTON      | 1       |
| 14  | 535 14 56-01 | CABLE       | CABLE       | 1       |
| 15  | 536994701    | TBD         | BUTTON      | 1       |