

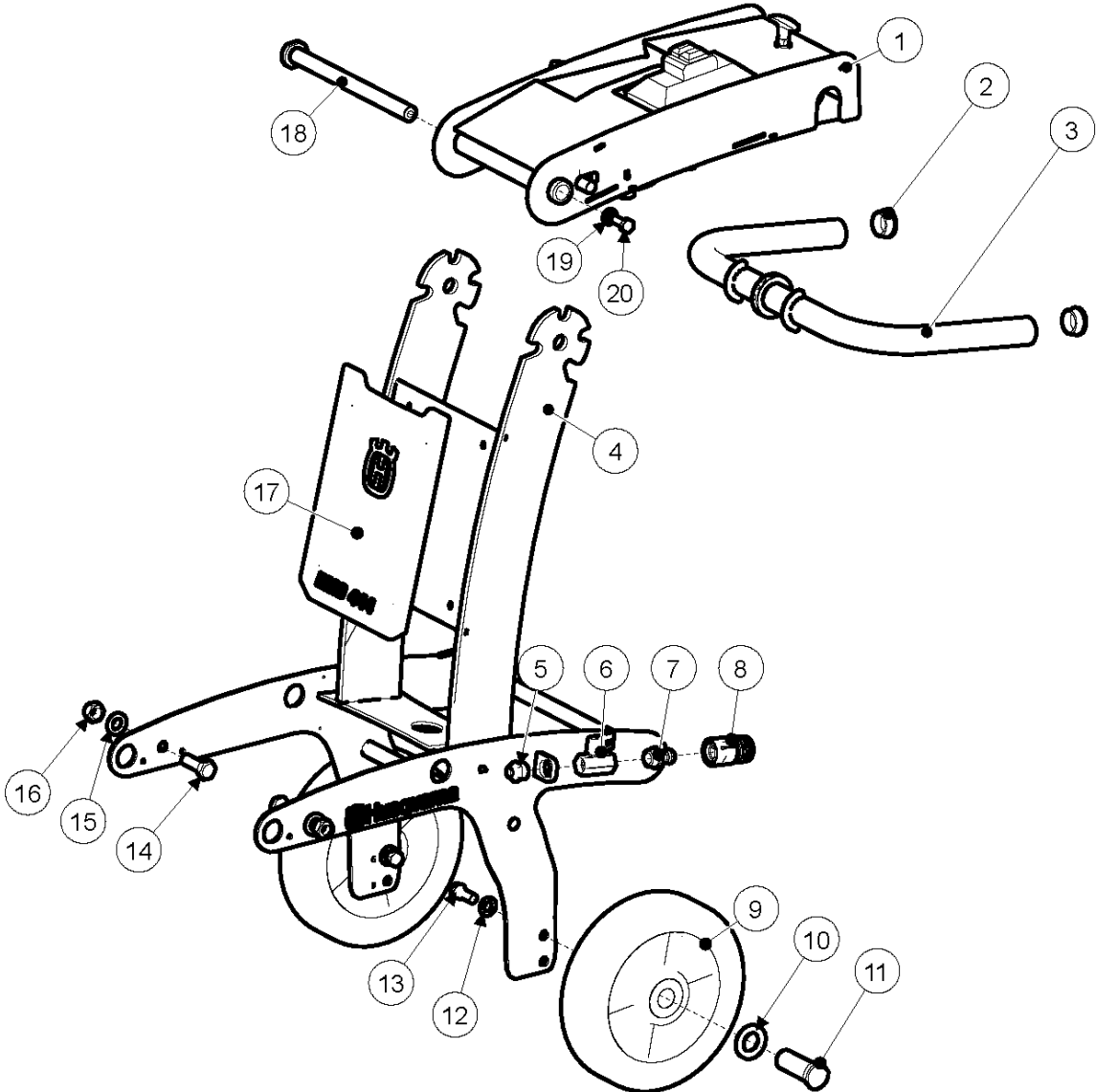


# SPARE PARTS LIST

SURFACE PREPARATION EQUIPMENT

BMG 444, 2022-04

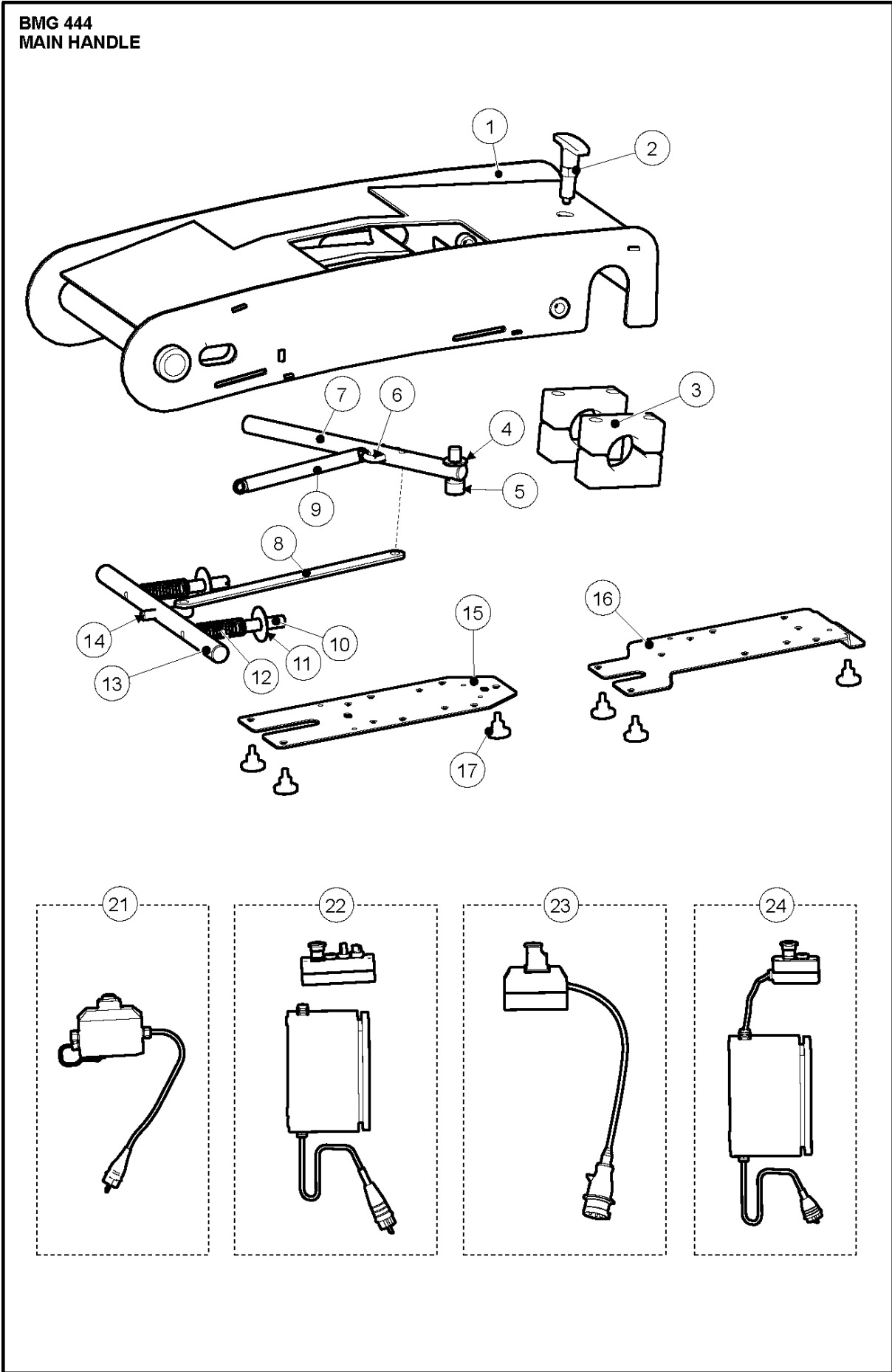
**BMG 444  
FRAME, COMPLETE**



## FRAME

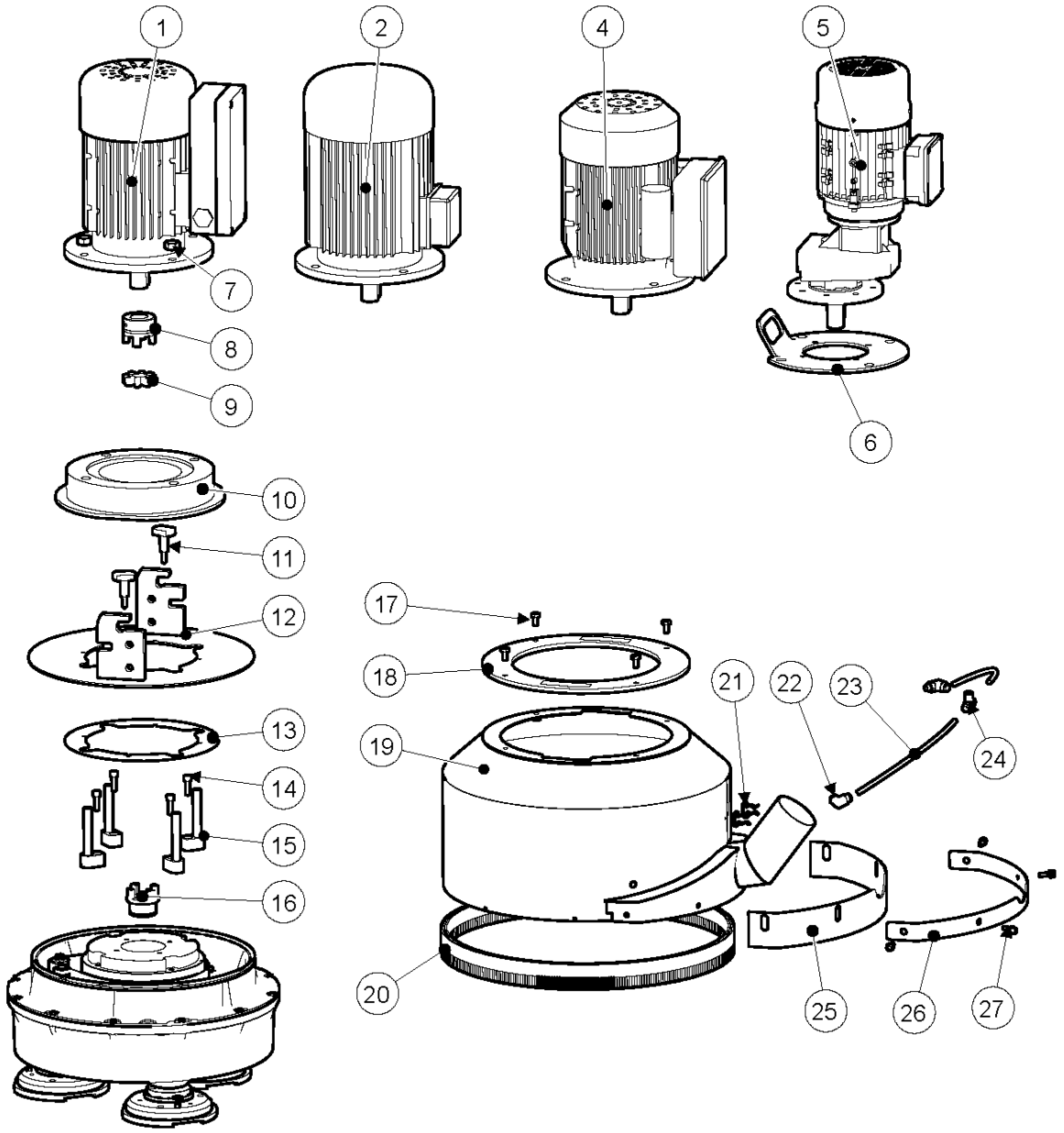
BMG 444, 2022-04

Ref	Part No	Description	Remark	QTY KIT
1	536937701	TBD	HANDLE	1
2	533 40 76-01	TUBE	TUBE	2
3	535 63 84-01	HANDLE	HANDLE	1
4	535 23 12-02	FRAME	FRAME	1
5	533 50 07-01	COUPLING	COUPLING	1
6	533 25 23-01	VALVE	VALVE	1
7	533 27 81-01	HOSE	HOSE	1
8	533238402	TBD	COUPLING	1
9	533 00 75-01	WHEEL	WHEEL	2
10	900 00 00-02	DUMMY PART	DUMMY PART	2
11	533 47 49-01	BOLT	BOLT	2
12	900 00 00-02	DUMMY PART	DUMMY PART	2
13	900 00 00-02	DUMMY PART	DUMMY PART	2
14	900 00 00-02	DUMMY PART	DUMMY PART	2
15	900 00 00-02	DUMMY PART	DUMMY PART	2
16	900 00 00-02	DUMMY PART	DUMMY PART	2
17	536938001	TBD	PLATE	1
18	535 20 62-01	LOCKING PIN	LOCKING PIN	1
19	900 00 00-02	DUMMY PART	DUMMY PART	1
20	900 00 00-02	DUMMY PART	DUMMY PART	1



Ref	Part No	Description	Remark	QTY KIT
1	536937701	TBD	HANDLE	1
2	535 63 67-01	LOCKING PIN	LOCKING PIN	2
3	533 76 77-01	PIPE CLAMP	PIPE CLAMP	2
4	900 00 00-02	DUMMY PART	DUMMY PART	1
5	900 00 00-02	DUMMY PART	DUMMY PART	1
6	533 23 82-01	WIRE	WIRE	1
7	533 37 62-01	HANDLE	HANDLE	1
8	535 23 08-01	STRIP	STRIP	1
9	533 23 89-01	SPRING	SPRING	1
10	533 22 59-01	SPRING	SPRING	2
11	534 67 73-01	WASHER	WASHER	2
12	533 28 71-01	SPRING	SPRING	2
13	533 23 37-01	SHAFT	SHAFT	1
14	900 00 00-02	DUMMY PART	DUMMY PART	1
15	535 63 46-01	PLATE	PLATE	1
16	535 63 47-01	PLATE	PLATE	1
17	533 36 42-01	KNOB	KNOB	3
21	534 76 75-01	PLUG	PLUG	1
21	534 87 99-01	SWITCH	SWITCH	1
21	534 50 08-01	SWITCH	SWITCH	1
22	534 73 55-01	BOX	BOX	1
22	534 76 75-01	PLUG	PLUG	1
22	535626302	TBD	ELECTRICAL SYSTEM	1
23	534 76 80-01	PLUG	PLUG	1
23	533 66 02-01	UNIT	UNIT	1
24	900 00 00-02	DUMMY PART	DUMMY PART	1
24	534326402	TBD	ELECTRICAL SYSTEM	1

**BMG 444  
GRINDING HEAD**

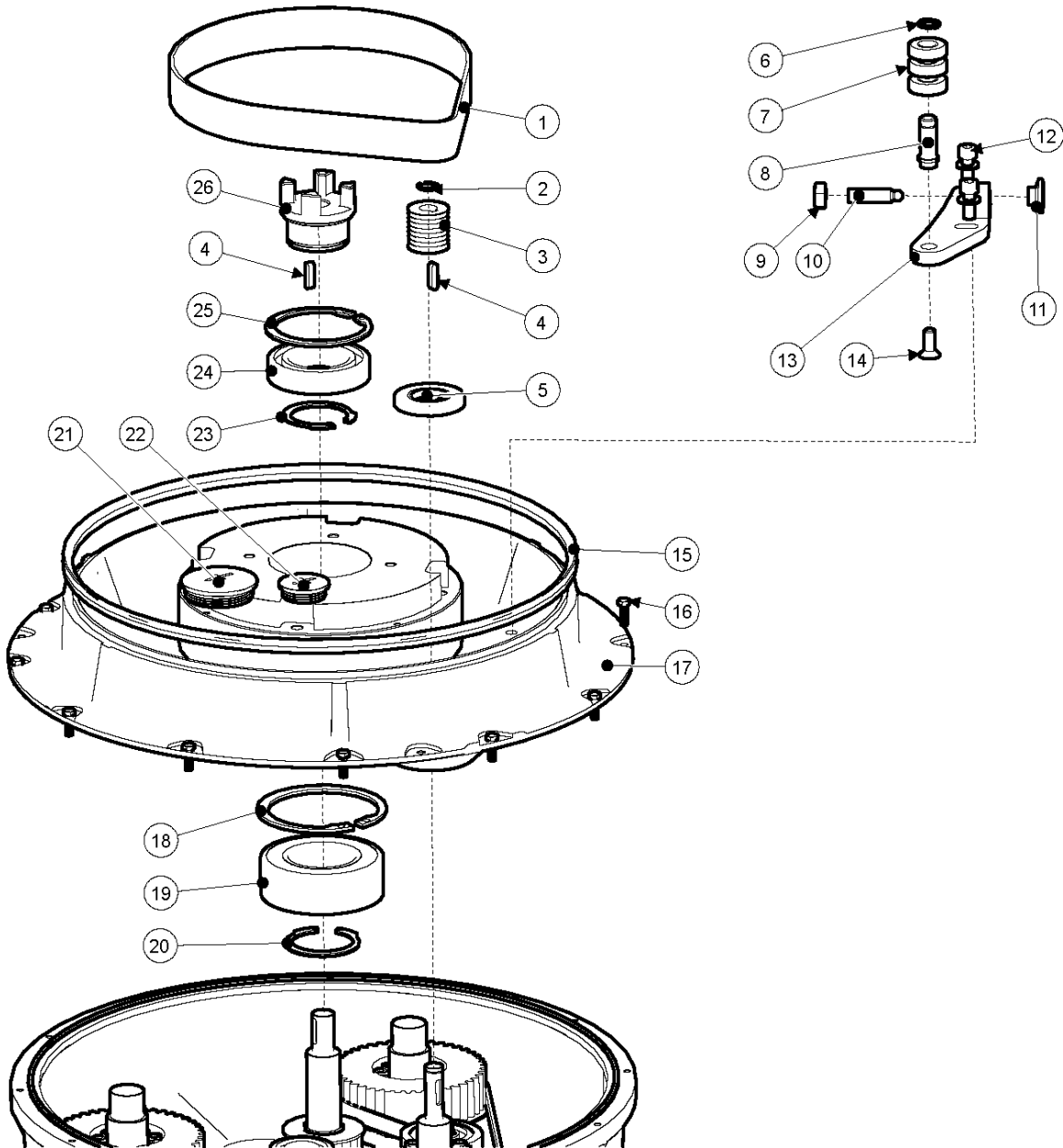


## GRINDING HEAD

BMG 444, 2022-04

Ref	Part No	Description	Remark	QTY KIT
1	536984201	TBD	MOTOR	1
2	534712802	TBD	MOTOR	1
4	534713102	TBD	MOTOR	1
5	536984401	TBD	MOTOR	1
6	534 26 22-01	ADAPTER PLATE	ADAPTER PLATE	1
7	900 00 00-02	DUMMY PART	DUMMY PART	4
8	533 64 08-01	COUPLING	COUPLING	1
9	533 64 08-01	COUPLING	COUPLING	1
10	535 17 72-01	BLOCK	BLOCK	1
11	533 21 93-01	KNOB	KNOB	2
12	535 19 51-01	HINGE PLATE	HINGE PLATE	1
13	536969301	TBD	SPACER PLATE	1
14	900 00 00-02	DUMMY PART	DUMMY PART	4
15	536984701	TBD	CAM	4
16	533 42 69-01	COUPLING	COUPLING	1
17	900 00 00-02	DUMMY PART	DUMMY PART	4
18	536984601	TBD	SHROUD	1
19	535 17 93-01	SHROUD	SHROUD	1
20	534 88 85-01	BRUSH	BRUSH	1
21	533 19 95-01	PIPE CLAMP	PIPE CLAMP	2
22	533 26 67-01	COUPLING	COUPLING	2
23	533 25 95-01	HOSE	HOSE	1
24	533 37 54-01	COUPLING	COUPLING	1
25	534 81 67-01	SEAL	SEAL	1
26	535 25 47-01	STRIP	STRIP	1
27	900 00 00-02	DUMMY PART	DUMMY PART	4
28	534 36 27-01	BOX	BOX	1
29	534572902	TBD	FAN COVER	1
30	534 57 20-01	FAN	FAN	1
31	534 86 73-01	CAPACITOR	CAPACITOR	1
32	534 73 56-01	CAPACITOR	CAPACITOR	1

**BMG 444  
PLANETARY SYSTEM, UPPER**



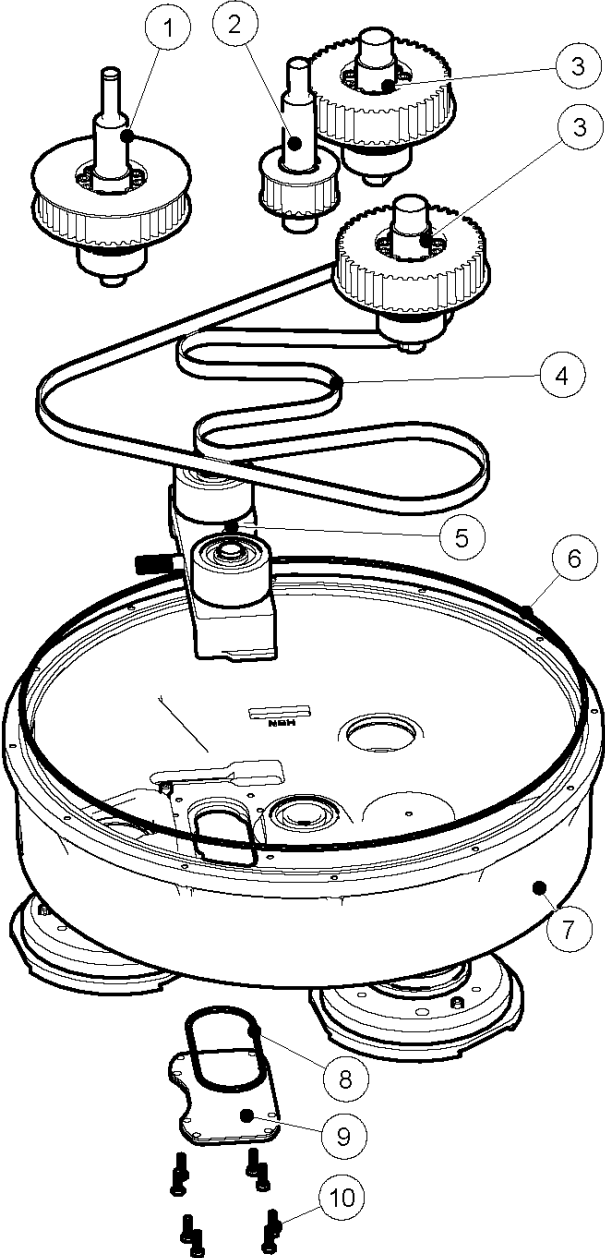


## GRINDING HEAD

BMG 444, 2022-04

Ref	Part No	Description	Remark	QTY KIT
1	535 64 49-01	POLY-V BELT	POLY-V BELT	1
2	534 80 67-01	RING	RING	1
3	533 06 35-01	PULLEY	PULLEY	1
4	533 27 01-01	KEY	KEY	2
5	535 64 38-01	SEAL	SEAL	1
6	533 72 29-01	RETAINER RING	RETAINER RING	1
7	533 11 11-01	BEARING	BEARING	3
8	536984901	TBD	AXLE	1
9	900 00 00-02	DUMMY PART	DUMMY PART	1
10	900 00 00-02	DUMMY PART	DUMMY PART	1
11	536985001	TBD	PRESSURE PLATE	1
12	900 00 00-02	DUMMY PART	DUMMY PART	2
13	536985101	TBD	PLATE	1
14	900 00 00-02	DUMMY PART	DUMMY PART	1
15	535 65 30-01	V-BELT	V-BELT	1
16	900 00 00-02	DUMMY PART	DUMMY PART	12
17	900 00 00-02	DUMMY PART	DUMMY PART	1
18	900 00 00-02	DUMMY PART	DUMMY PART	1
19	533 60 07-01	BEARING	BEARING	1
20	533 22 05-01	RING	RING	1
21	900 00 00-02	DUMMY PART	DUMMY PART	1
22	900 00 00-02	DUMMY PART	DUMMY PART	1
23	900 00 00-02	DUMMY PART	DUMMY PART	1
24	533 92 15-01	BEARING	BEARING	1
25	900 00 00-02	DUMMY PART	DUMMY PART	1
26	533 42 69-01	COUPLING	COUPLING	1

**BMG 444  
PLANETARY SYSTEM, LOWER**

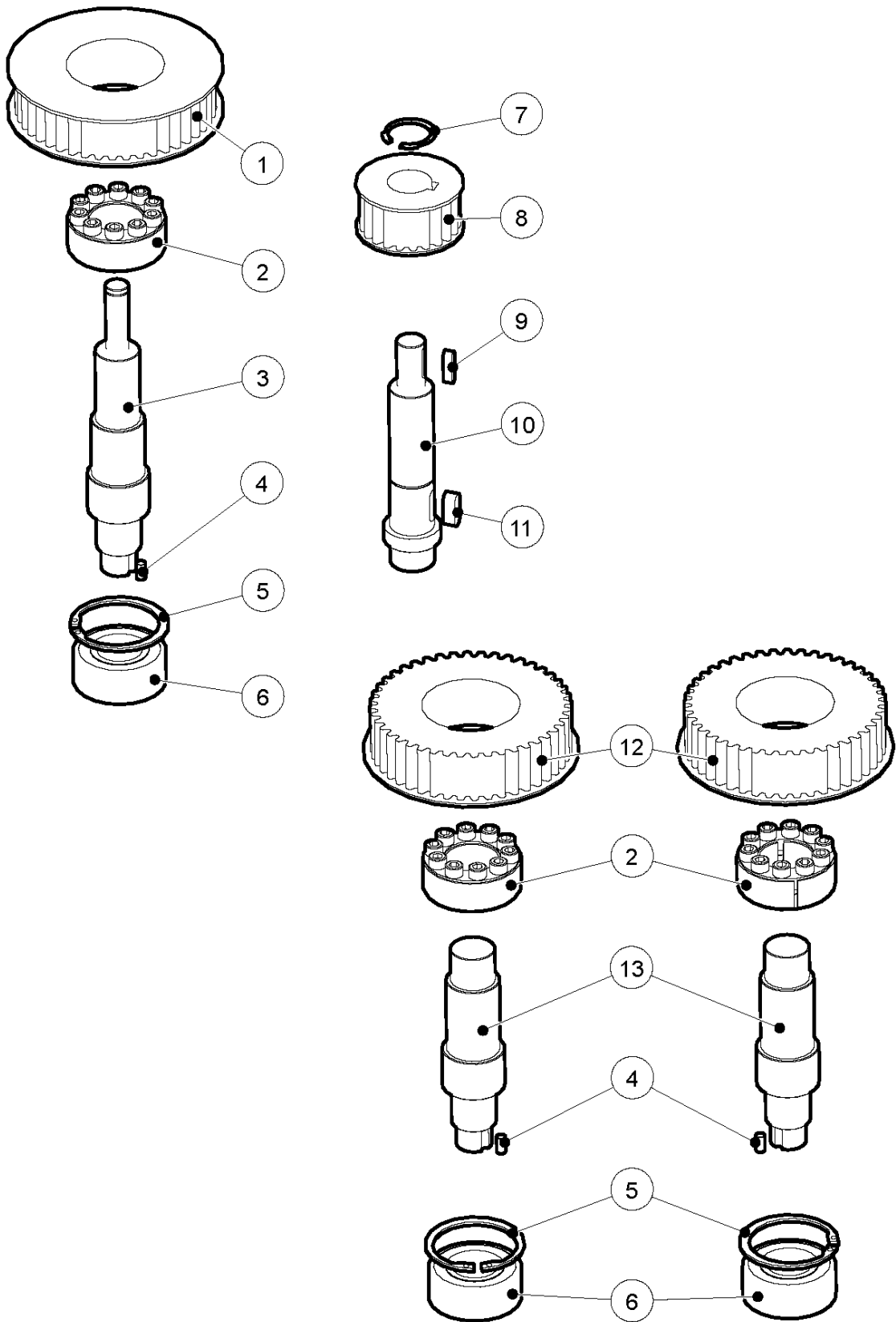


GRINDING HEAD

BMG 444, 2022-04

Ref	Part No	Description	Remark	QTY KIT
1	900 00 00-02	DUMMY PART	DUMMY PART	1
2	900 00 00-02	DUMMY PART	DUMMY PART	1
3	900 00 00-02	DUMMY PART	DUMMY PART	2
4	535 63 04-01	BELT	BELT	1
5	900 00 00-02	DUMMY PART	DUMMY PART	1
6	535 64 41-01	O-RING	O-RING	1
7	900 00 00-02	DUMMY PART	DUMMY PART	1
8	535 64 40-01	O-RING	O-RING	1
9	535 63 00-01	COVER	COVER	1
10	900 00 00-02	DUMMY PART	DUMMY PART	8

**BMG 444  
PULLEYS**

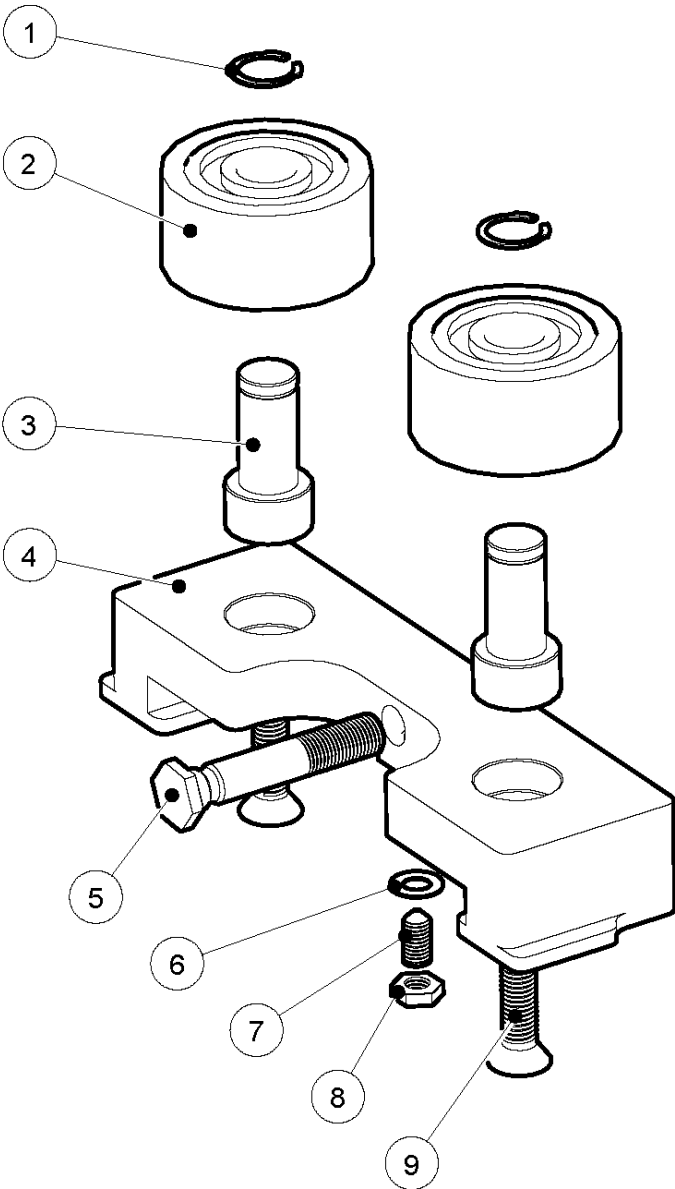


## PULLEY

BMG 444, 2022-04

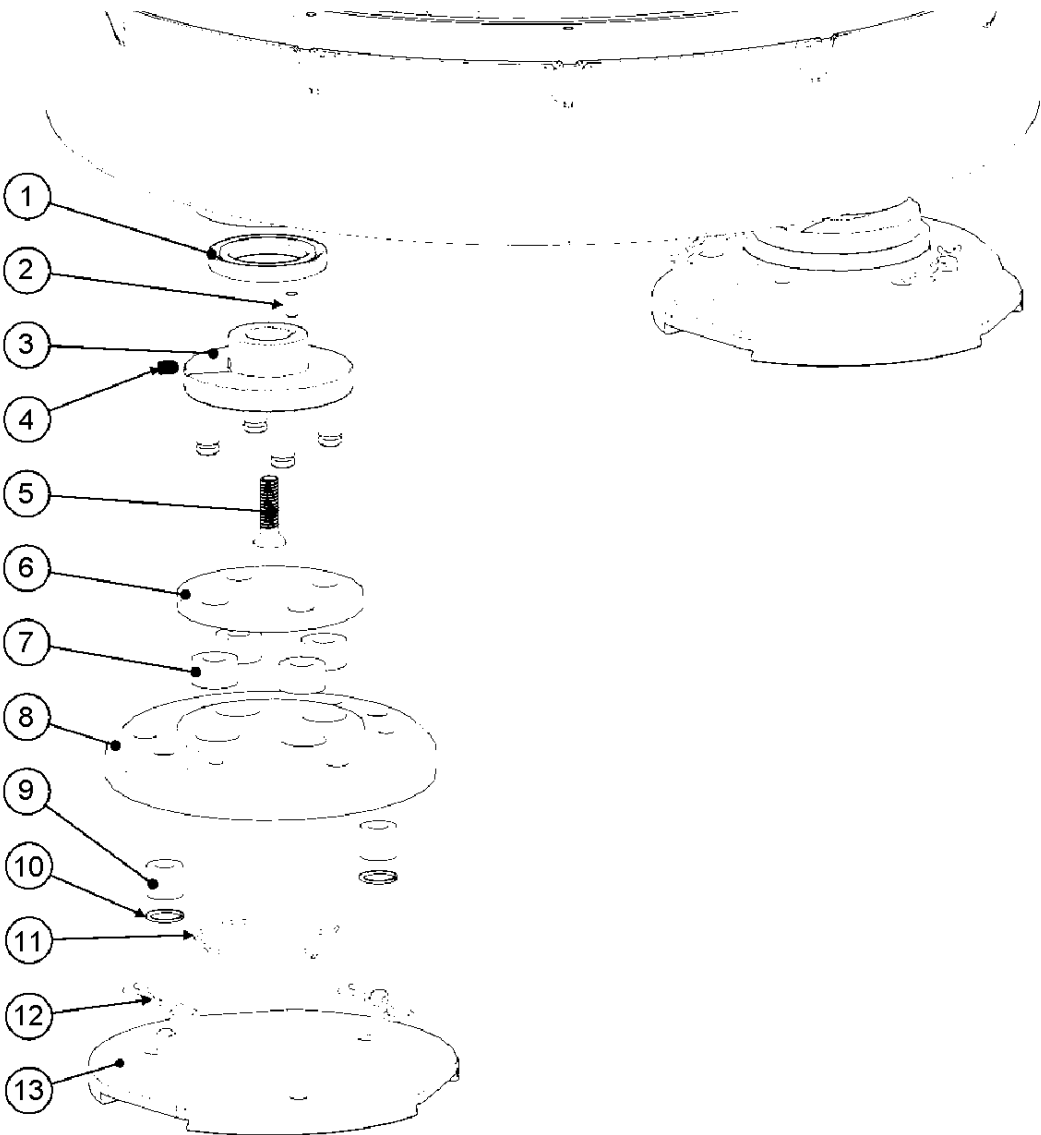
Ref	Part No	Description	Remark	QTY KIT
1	535 64 57-01	PULLEY	PULLEY	1
2	535 64 94-01	UNIT	UNIT	3
3	535 62 51-01	AXLE	AXLE	1
4	900 00 00-02	DUMMY PART	DUMMY PART	3
5	534 80 69-01	RING	RING	3
6	533 13 26-01	BEARING	BEARING	3
7	533 91 42-01	RETAINER RING	RETAINER RING	1
8	535 62 90-01	PULLEY	PULLEY	1
9	533 27 01-01	KEY	KEY	1
10	535 62 89-01	AXLE	AXLE	1
11	533 29 34-01	KEY	KEY	1
12	535 64 58-01	PULLEY	PULLEY	2
13	535 62 50-01	AXLE	AXLE	2

**BMG 444  
TENSIONING BLOCK, LOWER BELT**



Ref	Part No	Description	Remark	QTY KIT
1	900 00 00-02	DUMMY PART	DUMMY PART	2
2	535 65 05-01	TENSIONER	TENSIONER	2
3	535 65 03-01	AXLE	AXLE	2
4	535 65 04-01	TENSIONER	TENSIONER	1
5	535 62 37-01	BOLT	BOLT	1
6	900 00 00-02	DUMMY PART	DUMMY PART	1
7	900 00 00-02	DUMMY PART	DUMMY PART	1
8	900 00 00-02	DUMMY PART	DUMMY PART	1
9	900 00 00-02	DUMMY PART	DUMMY PART	2

**BMG 444  
BUFFER SYSTEM**





## TOOL HOLDER

BMG 444, 2022-04

Ref	Part No	Description	Remark	QTY KIT
1	535 64 39-01	SEAL	SEAL	3
2	900 00 00-02	DUMMY PART	DUMMY PART	3
3	535 63 71-01	CONNECTION	CONNECTION	3
4	535 30 94-01	HEAD	HEAD	3
5	900 00 00-02	DUMMY PART	DUMMY PART	3
6	533 56 12-01	PLATE	PLATE	3
7	533 48 72-01	DISC	DISC	12
8	533 22 01-01	DISC	DISC	3
9	533 54 60-01	DISC	DISC	6
10	533 26 79-01	RETAINER RING	RETAINER RING	6
11	533 44 95-01	SPRING	SPRING	3
12	533 53 18-01	SPRING	SPRING	6
13	534 24 34-01	PLATE	PLATE	3