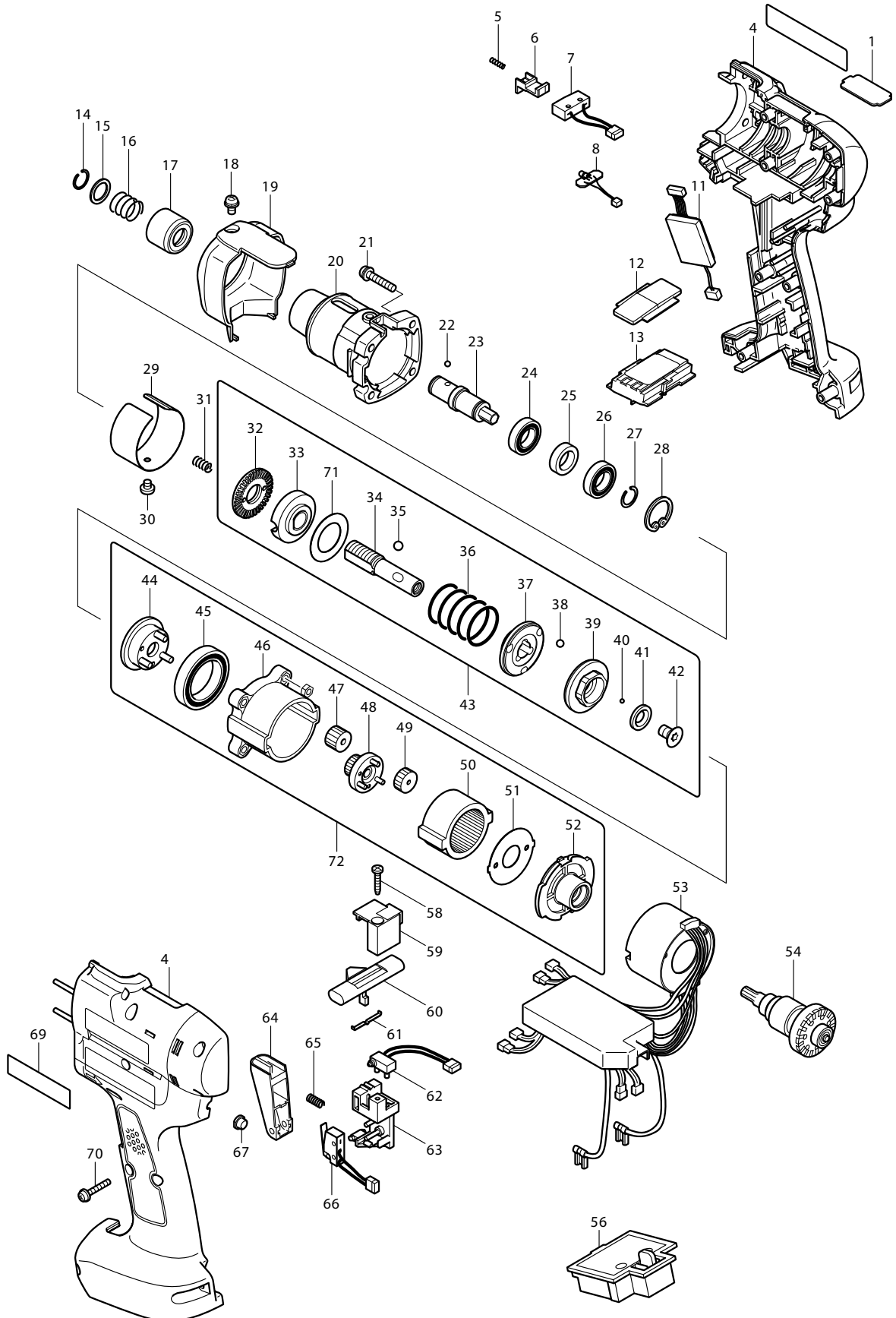




11 - 2007
BFT082RZ
SCREWDRIVER, 1-4NM



Item No.	Type	Sub	Part No.	Description	Qty	Unit
1			345791-9	PLATE O	1	PC.
4	1		188301-7	* HOUSING SET	1	SET
		INC.		* Item No. 69		
	2		188888-9	* HOUSING SET (N/A)	1	SET
		INC.		* Item No. 69		
	3		187857-7	* HOUSING SET		
5			233025-1	COMPRESSION SPRING 2	1	PC.
6			418002-6	SWITCH LEVER	1	PC.
7			638274-9	SWITCH UNIT	1	PC.
8			631513-6	LED CIRCUIT	1	PC.
11	1		631756-0	* POWER SUPPLY UNIT	1	PC.
	2		631981-3	* POWER SUPPLY CIRCUIT	1	PC.
12			419828-9	COVER	1	PC.
			452188-6	COVER	1	PC.
13			631717-0	RF UNIT	1	PC.
14			231965-7	RING SPRING 10	1	PC.
15			267143-3	FLAT WASHER 11	1	PC.
16			233005-7	COMPRESSION SPRING 13	1	PC.
17			162218-2	SLEEVE	1	PC.
18			265171-2	PAN HEAD SCREW M4X8	1	PC.
19			418289-0	CLUTCH CASE COVER	1	PC.
20			317694-7	CLUTCH CASE	1	PC.
21			265145-3	+ PAN HEAD SCREW M4X22	4	PC.
22			216019-1	STEEL BALL 3	2	PC.
23			324377-2	SPINDLE M	1	PC.
24			211136-2	BALL BEARING 6801LLB	1	PC.
25			257011-8	RING 12	1	PC.
26			211136-2	BALL BEARING 6801LLB	1	PC.
27			231951-8	RING SPRING 11	1	PC.
28			962111-8	RETAINING RING R-21	1	PC.
29			345793-5	O RING 38	1	PC.
30			265127-5	+ PAN HEAD SCREW M4X4	1	PC.
31			233019-6	COMPRESSION SPRING 5	1	PC.
32			324834-0	LOCK NUT M12	1	PC.
33			158408-3	ADJUST RING COMPLETE	1	PC.
34			324296-2	SPINDLE	1	PC.
35			216018-3	STEEL BALL 5.0	3	PC.
36			234028-8	COMPRESSION SPRING 19G	1	PC.
37			223146-7	CAM D	1	PC.
38			216024-8	STEEL BALL 4	3	PC.
39			223166-1	CAM E	1	PC.
40			216019-1	STEEL BALL 3	13	PC.
41			267247-1	FLAT WASHER 7	1	PC.
42			266305-0	TORX C.S HEAD SCREW M5X10	1	PC.
43			125365-0	CLUTCH ASS'Y L	1	PC.
		INC.		Item No. 32-42,71		
44			153443-6	CARRIER COMPLETE A	1	PC.
45			211375-4	BALL BEARING 6805LLB	1	PC.
46			418004-2	GEAR CASE	1	PC.
47			227050-2	SPUR GEAR 13	3	PC.
48			153446-0	SPUR GEAR 20 COMPLETE	1	PC.
49			227051-0	SPUR GEAR 19	3	PC.
50			227048-9	INTERNAL GEAR 47	1	PC.
51			267774-8	LOCK WASHER	1	PC.
52			418003-4	MOTOR BRACKET	1	PC.
53	1		631762-5	* MOTOR CONTROL UNIT	1	PC.
	2		631976-6	* MOTOR CONTROL UNIT	1	PC.
54			619207-3	ROTOR	1	PC.
56	1		643811-6	* TERMINAL	1	PC.

Item No.	Type	Sub	Part No.	Description	Qty	Unit
		2	643828-9	* TERMINAL	1	PC.
58			266130-9	TAPPING SCREW BIND PT 3X16	1	PC.
59			418204-4	COVER	1	PC.
60			418201-0	F/R CHANGE LEVER	1	PC.
61			232201-4	LEAF SPRING	1	PC.
62			638276-5	SWITCH UNIT	1	PC.
63			418202-8	SWITCH BASE	1	PC.
64			418203-6	SWITCH LEVER A	1	PC.
65			231397-8	COMPRESSION SPRING 4	1	PC.
66			638275-7	SWITCH UNIT	1	PC.
67			419829-7	LENS	1	PC.
69			819216-4	MAKITA LOGO LABEL (Removed)	1	PC.
70			265095-2	PAN HEAD SCREW M3X20	8	PC.
71			267276-4	FLAT WASHER 18	1	PC.
72			125191-7	GEAR ASS'Y C	1	PC.
E01		INC.	810401-2	Item No. 44-52 CAUTION LABEL	1	PC.
ACCESSORIES				- See catalogue or visit www.makita.ca for more optional accessories -		
A01			765027-4	TORQUE ADJUST TOOL	1	PC.
A02			194066-1	14.4V LI-ION BATTERY BL1430(3.0AH)	1	PC.
			194397-8	14.4V LI-ION BATTERY BL1430(3.0AH)(2PCS/PK)	1	PC.
A03		1	DC18RA	CHARGER DC18RA	1	PC.
		2	DC18RC	CHARGER DC18RC	1	PC.
			DC24SA	CHARGER DC24SA	1	PC.
A04			193681-8	REFRESHING ADAPTOR ADP03	1	PC.
A05			273443-1	GRIP 37	1	PC.
A06			418423-2	PROTECTOR(YELLOW) (FOR BODY)	1	PC.
			418424-0	PROTECTOR(BLUE) (FOR BODY)	1	PC.
			418425-8	PROTECTOR(RED) (FOR BODY)	1	PC.
			450331-1	PROTECTOR(CLEAR) (FOR BODY)	1	PC.
A07		1	A-47977	RECEIVER SET	1	PC.
		2	A-55924	RECEIVER SET	1	PC.
A09			193874-7	GRIP BASE SET	1	PC.
		INC.	266287-6	SQUARE HEAD BOLT M6X25	1	PC.
		INC.	317552-7	GRIP BASE	1	PC.
		INC.	345381-8	BELT	1	PC.

SERVICE CHANGES

1. Changes on Motor Control Unit, Power Supply Unit/Circuit, Housing Set, Cover

(TI#87287)

(TI#A2655)

Item No.	Description	Type 1	Type 2	Type 3
4	Housing Set	188301-7	1888888-9 (N/A)	187857-7
11	Power Supply Circuit	631756-0		631981-3
53	Motor Control Unit	631762-5		631976-6
56	Terminal		643811-6	643828-9

Above parts are completely interchangeable as a set.