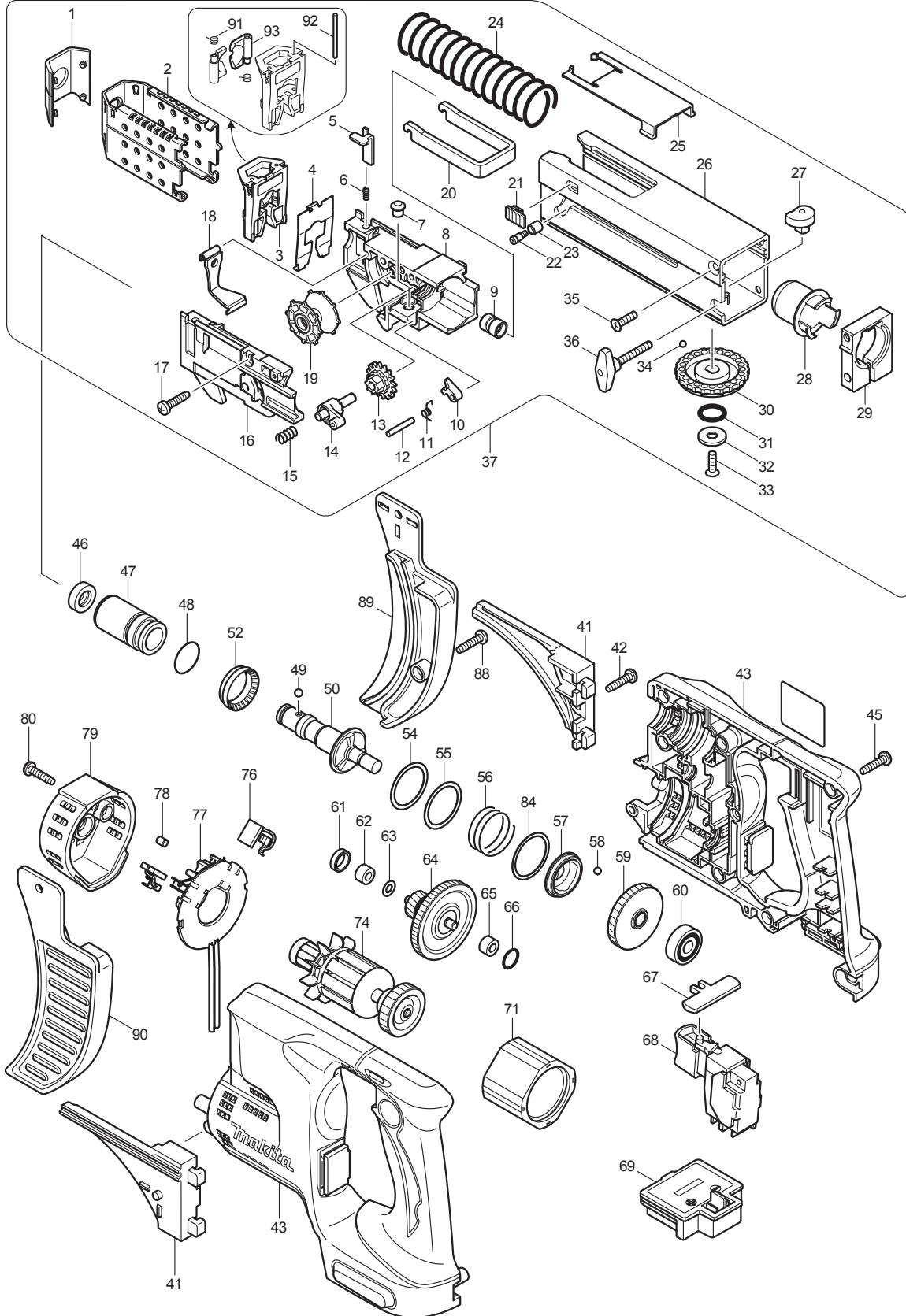




10 - 2009
BFR540L, BFR540Z
14.4V AUTOFEED SCREWDRIVER



Item No	Type	Ref	Part No	Description	Qty	Unit
1			424043-2	CAP	1	PC.
2			345839-7	STOPPER BASE 55	1	PC.
3	3		140493-0	* GUIDE BOX ASSY	1	PC.
		INC.		* INC. Item No. 4, 91, 92, 93		
4	3		346269-5	* GUARD (Component of Item No.3, #140493-0)	1	PC.
5			345837-1	LEVER	2	PC.
6			233211-4	COMPRESSION SPRING 2	2	PC.
7			256451-7	PIN 6	1	PC.
8			450107-6	FEEDER BOX	1	PC.
8	Opt.3		125809-0	* FEEDER BOX ASSY (TYPE 3) (Incl. 1-19, 22-23)	1	PC.
9			257685-5	SLEEVE 5	1	PC.
10			310062-3	STOPPER	1	PC.
11			231636-6	TORSION SPRING 4	1	PC.
12			256158-5	PIN 3	1	PC.
13			226344-2	SPUR GEAR 16	1	PC.
14			158374-4	RATCHET ARM COMPLETE	1	PC.
15			233212-2	COMPRESSION SPRING 6	1	PC.
16			158375-2	BOXCOVER COMPLETE	1	PC.
17			265995-6	TAPPING SCREW 4X18	1	PC.
18			162201-9	DUST COVER	1	PC.
19			416518-5	WHEEL	1	PC.
20			345838-9	PLATE	1	PC.
21			450111-5	STOPPER	2	PC.
22			265177-0	+SHOULDER FLAT HEAD SCREW M3X5	1	PC.
23			257764-9	SLEEVE 4	1	PC.
24			234031-9	COMPRESSION SPRING 23	1	PC.
25			450114-9	CASING COVER	1	PC.
26			158384-1	CASING 55 COMPLETE	1	PC.
		INC.	816885-2	INDICATION LABEL	1	PC.
		INC.	810401-2	CAUTION LABEL	1	PC.
27			310237-4	SHIFTER PIN	1	PC.
28			450110-7	INSULATION SLEEVE	1	PC.
29			318181-9	CLAMPER	1	PC.
30			417056-0	DIAL 42	1	PC.
31			213107-5	O RING 12	1	PC.
32			267201-5	FLAT WASHER 6	1	PC.
33			912117-6	COUNTERSUNK HEAD SCREW M4X12	1	PC.
34			216001-0	STEEL BALL 3.5	1	PC.
35			912117-6	COUNTERSUNK HEAD SCREW M4X12	3	PC.
36	1		265778-4	THUMB SCREW M4X28	1	PC.
	2		265779-2	THUMB SCREW M4X28	1	PC.
37	4		125812-1	* CASING 55 ASS'Y	1	PC.
		INC.		INC. Item No. 1-36		
	Opt.2		195184-8	* CASING SET (125812-1 + CAUTION CARD, POLY BAG)	1	PC.
41			188309-1	SCREW GUIDE SET	1	PC.
42			265995-6	TAPPING SCREW 4X18	1	PC.
43	1		188335-0	* HOUSING SET	1	SET
	2		188556-4	* HOUSING SET	1	SET
	3		187475-1	* HOUSING SET	1	SET
45			265995-6	TAPPING SCREW 4X18	9	PC.
46			421467-3	DUST COVER	1	PC.
47			214172-7	PLANE BEARING 14	1	PC.
48			213262-3	O RING 18	1	PC.
49			216001-0	STEEL BALL 3.5	1	PC.
50			324807-3	SPINDLE A	1	PC.
52			421927-5	SLEEVE 20	1	PC.
54			267331-2	FLAT WASHER 25	1	PC.

Item No	Type	Ref	Part No	Description	Qty	Unit
55			267331-2	FLAT WASHER 25	1	PC.
56			234017-3	COMPRESSEION SPRING 25	1	PC.
57			223169-5	CLUTCH CAM C	1	PC.
58			216008-6	STEEL BALL 4	3	PC.
59			226670-9	HELICAL GEAR 48	1	PC.
60			211034-0	BALL BEARING 608	1	PC.
61			165115-1	RUBBER SLEEVE 10	1	PC.
62			214017-9	PLANE BEARING 5	1	PC.
63			253811-4	FLAT WASHER 5	1	PC.
64			154937-4	GEAR COMPLETE 18-44	1	PC.
65			214017-9	PLANE BEARING 5	1	PC.
66			213055-8	O RING 10	1	PC.
67			419304-3	F/R CHANGE LEVER	1	PC.
68	1		650575-5	* SWITCH TG513SBA	1	PC.
	2		650670-1	* SWITCH(TRIGGER)TG513SBA-1	1	PC.
69	1		643811-6	* TERMINAL	1	PC.
	2		643828-9	* TERMINAL	1	PC.
	3		643850-6	* TERMINAL	1	PC.
71			638426-2	YOKE UNIT	1	PC.
74			619180-7	ARMATURE	1	PC.
76	1		194427-5	CARBON BRUSH CB-440, 2PCS/SET, W/O ORIGIN	1	SET
	2		195021-6	CARBON BRUSH CB-440 2PC/SET, W/ ORIGIN	1	SET
77			638433-5	BRUSH HOLDER COMPLETE	1	PC.
		INC.	231696-8	TORSION SPRING R	1	PC.
		INC.	231697-6	TORSION SPRING L	1	PC.
78			263032-0	RUBBER PIN 4	2	PC.
79			419307-7	FRONT COVER	1	PC.
80			265995-6	TAPPING SCREW 4X18	2	PC.
84			267332-0	FLAT WASHER 26	1	PC.
88	1		265995-6	TAPPING SCREW 4X18 (TYPE 1)	1	PC.
	2		265995-6	TAPPING SCREW 4X18 (TYPE 2)	2	PC.
89			188310-6	GUIDE ATTACHMENT SET	1	SET
91	1		233516-2	* TORSION SPRING 4	2	PC.
	2		233567-5	* TORSION SPRING 4	2	PC.
92			268188-4	PIN 2	2	PC.
93	1		310236-6	* GUIDE	2	PC.
	2		310282-9	* GUIDE	2	PC.
E01			620122-6	* CONTROLLER (Added)	1	PC.
<u>ACCESSORIES</u>						
A01			281217-6	HOOK (BELT CLIP)	1	PC.
A02	3		784645-9	* SQUARE BIT 2-162, BULK	2	PC.
	3		784251-0	* PHILLIPS BIT 2-162, BULK	1	PC.
A03			194500-1	EXTENSION HANDLE (See Parts Breakdown 194500-1)	1	PC.
A04			194066-1	14.4V LI-ION BATTERY BL1430	1	PC.
A05	1		DC18RA	CHARGER DC18RA	1	PC.
	2		DC18RC	CHARGER DC18RC	1	PC.

SERVICE CHANGES**1. Changes on HOUSING SET AND TERMINAL**

(T/# 82414)

(T/# 93030)

Item No.	Description	Type 1	Type 2	Type 3
43	HOUSING SET	188335-0	188556-4	187475-1
69	TERMINAL	643811-6	643828-9	643850-6
68	SWITCH	650575-5		650670-1
E01	CONTROLLER (Added)	-		620122-6

Above parts are completely interchangeable as a set.

Service Note:

- Use Type 3 parts for repair of the model manufactured on or after December 2011 with using Yellow lead wire between Controller and Terminal.
- Use Type 1-2 for repair of the model manufactured before December 2011 without using Yellow lead wire between Controller and Terminal.

**** See Technical Information #93030 for Wiring Diagram Change**

2. Changes on GUIDE BOX COM., GUARD, TORSION SPRING

Item No.	Description	Type 1	Type 2	Type 3
3	GUIDE BOX COM /ASSY	158376-0 - N/L/A (incl. 91, 92, 93)	158776-4 (incl. 91, 92, 93)	140493-0 (incl. 4,91,92,93)
4	GUARD	345840-2		346269-5 (component of item 3)
91	TORSION SPRING (component of Item 3)	233516-2		233567-5
93	GUIDE BOX COM/ASSY (component of Item 37)	310236-6	310282-9	
37	CASING 55 / ASSY (incl. 1-36)	122817-2	122834-2	125812-1
37	CASING 55 SET (incl. 1-36, Caution card, poly bag)	194544-1 - N/L/A	194636-6	195184-8
8	FEEDER BOX ASSY - Optional	122802-5 - N/L/A	122831-8	125809-0

Item No. 3 Type 3 Guide Box Assy supersede Type 1 & Type 2 Guide Box Com.

Item No. 4 and 91: When Type 2 stock become no available, use Type 3.