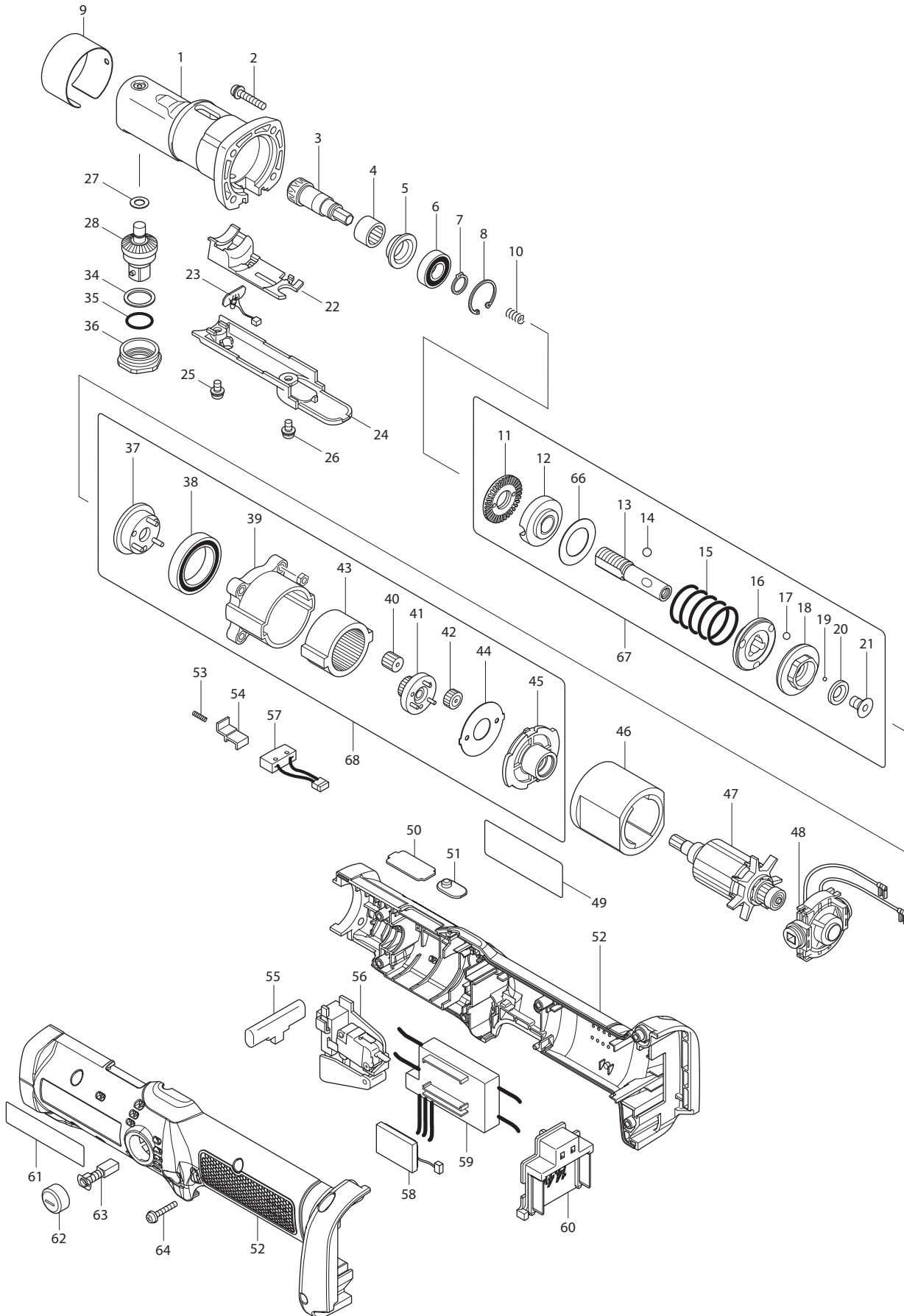




05 - 2012
BFL202FZ
14.4V ANGLE WRENCH



| Item No. | Type | Sub | Part No. | Description | Qty | Unit |
|----------|------|------|----------|--------------------------------------|-----|------|
| 1 | | | 154494-2 | ANGLE HEAD COMPLETE | 1 | PC. |
| 2 | | | 265145-3 | + PAN HEAD SCREW M4X22 | 4 | PC. |
| 3 | | | 227469-5 | SPIRAL BEVEL GEAR 9 | 1 | PC. |
| 4 | | | 212123-4 | NEEDLE BEARING 1210 | 1 | PC. |
| 5 | | | 345281-2 | SPACER | 1 | PC. |
| 6 | | | 210057-5 | BALL BEARING 6900LLB | 1 | PC. |
| 7 | | | 961026-6 | RETAINING RING S-10 | 1 | PC. |
| 8 | | | 962112-6 | RETAINING RING R-22 | 1 | PC. |
| 9 | | | 345287-0 | RING 38C | 1 | PC. |
| 10 | | | 233019-6 | COMPRESSION SPRING 5 | 1 | PC. |
| 11 | | | 324834-0 | LOCK NUT M12 | 1 | PC. |
| 12 | | | 158408-3 | ADJUST RING COMPLETE | 1 | PC. |
| 13 | | | 324296-2 | SPINDLE | 1 | PC. |
| 14 | | | 216018-3 | STEEL BALL 5.0 | 3 | PC. |
| 15 | | | 233358-4 | COMPRESSION SPRING 19C | 1 | PC. |
| 16 | | | 223140-9 | CAM B | 1 | PC. |
| 17 | | | 216024-8 | STEEL BALL 4 | 3 | PC. |
| 18 | | | 223139-4 | CAM A | 1 | PC. |
| 19 | | | 216019-1 | STEEL BALL 3 | 13 | PC. |
| 20 | | | 267247-1 | FLAT WASHER 7 | 1 | PC. |
| 21 | | | 266305-0 | TORX C.S HEAD SCREW M5X10 | 1 | PC. |
| 22 | | | 418011-5 | LIGHT HOLDER | 1 | PC. |
| 23 | | | 631513-6 | LED CIRCUIT | 1 | PC. |
| 24 | | | 418005-0 | LIGHT COVER | 1 | PC. |
| 25 | | | 265171-2 | PAN HEAD SCREW M4X8 | 1 | PC. |
| 26 | | | 265171-2 | PAN HEAD SCREW M4X8 | 1 | PC. |
| 27 | | | 253726-5 | FLAT WASHER 6 | 1 | PC. |
| 28 | | | 154725-9 | SPINDLE A COMPLETE | 1 | PC. |
| 34 | | | 253842-3 | FLAT WASHER 14 | 1 | PC. |
| 35 | | | 213162-7 | O RING 14 | 1 | PC. |
| 36 | | | 285707-1 | BEARING RETAINER 14-23 | 1 | PC. |
| 37 | | | 153444-4 | CARRIER COMPLETE B | 1 | PC. |
| 38 | | | 211375-4 | BALL BEARING 6805LLB | 1 | PC. |
| 39 | | | 418004-2 | GEAR CASE | 1 | PC. |
| 40 | | | 227052-8 | SPUR GEAR 18 | 3 | PC. |
| 41 | | | 153448-6 | SPUR GEAR 9 COMPLETE B | 1 | PC. |
| 42 | | | 227051-0 | SPUR GEAR 19 | 3 | PC. |
| 43 | | | 227048-9 | INTERNAL GEAR 47 | 1 | PC. |
| 44 | | | 267774-8 | LOCK WASHER | 1 | PC. |
| 45 | | | 418003-4 | MOTOR BRACKET | 1 | PC. |
| 46 | | | 638183-2 | YOKE UNIT | 1 | PC. |
| 47 | | | 619318-4 | ARMATURE | 1 | PC. |
| 48 | | | 687138-4 | ENDBELL COMPLETE | 1 | PC. |
| 49 | | | 897732-6 | BFL202F NAME PLATE | 1 | PC. |
| 50 | | | 345284-6 | PLATE C, 8 - 20Nm | 1 | PC. |
| 51 | | | 419832-8 | LENS | 1 | PC. |
| 52 | | | 187487-4 | HOUSING SET | 1 | PC. |
| 52 | | INC. | | Item No. 61 | | |
| 53 | | | 233025-1 | COMPRESSION SPRING 2 | 1 | PC. |
| 54 | | | 418002-6 | SWITCH LEVER | 1 | PC. |
| 55 | | | 417511-2 | F/R CHANGE LEVER | 1 | PC. |
| 56 | | | 650536-5 | SWITCH C3Z-5-01 SINGLE | 1 | PC. |
| 57 | | | 638184-0 | SWITCH UNIT | 1 | PC. |
| 58 | | | 631514-4 | BUZZER CIRCUIT | 1 | PC. |
| 59 | | | 632A45-2 | CONTROLLER UNIT | 1 | PC. |
| 60 | | | 643828-9 | TERMINAL | 1 | PC. |
| 61 | | | 819284-7 | MAKITA LOGO LABEL | 1 | PC. |
| 62 | | | 643933-2 | BRUSH HOLDER CAP | 2 | PC. |
| 63 | | | 195020-8 | CARBON BRUSH CB-434 2PC/SET W/ORIGIN | 1 | SET |
| 64 | | | 265095-2 | PAN HEAD SCREW M3X20 | 6 | PC. |
| 66 | | | 267276-4 | FLAT WASHER 18 | 1 | PC. |
| 67 | | | 125390-1 | CLUTCH ASS'Y C | 1 | PC. |

| Item No. | Type | Sub | Part No. | Description | Qty | Unit |
|---------------------------|------|------|----------|---|-----|------|
| 68 | | INC. | 125192-5 | Item No. 11-21,66 GEAR ASS'Y D | 1 | PC. |
| E01 | | INC. | 800G78-3 | Item No. 37-45 CAUTION LABEL FR/SP | 1 | |
| C01 | | | 845604-9 | CARTON F/BLF082FZ, BFL122FZ, BFL202FA | 1 | PC. |
| <u>ACCESSORIES</u> | | | | | | |
| A01 | | | 765027-4 | TORQUE ADJUST TOOL | 1 | PC. |
| A02 | | | 194038-6 | ANGLE HEAD SET | 1 | PC. |
| | | INC. | 154495-0 | ANGLE HEAD COMPLETE | 1 | PC. |
| | | INC. | 210057-5 | BALL BEARING 6900LLB | 1 | PC. |
| | | INC. | 212123-4 | NEEDLE BEARING 1210 | 1 | PC. |
| | | INC. | 227469-5 | SPIRAL BEVEL GEAR 9 | 1 | PC. |
| | | INC. | 345281-2 | SPACER | 1 | PC. |
| | | INC. | 961026-6 | RETAINING RING S-10 | 1 | PC. |
| | | INC. | 962112-6 | RETAINING RING R-22 | 1 | PC. |
| | | INC. | 418031-9 | ANGLE HEAD COVER | 1 | PC. |
| | | INC. | 265127-5 | + PAN HEAD SCREW M4X4 | 1 | PC. |
| A03 | | | 418032-7 | PROTECTOR(YELLOW) | 1 | PC. |
| | | | 418064-4 | PROTECTOR(BLUE) | 1 | PC. |
| | | | 418065-2 | PROTECTOR(RED) | 1 | PC. |
| | | | 418066-0 | PROTECTOR(CLEAR) | 1 | PC. |
| A04 | | | 194559-8 | 14.4V LI-ION BATTERY BL1415 | 1 | PC. |
| | | | 194066-1 | 14.4V LI-ION BATTERY BL1430 | 1 | PC. |
| | | | 194066-1 | 14.4V LI-ION BATTERY BL1430 2PK | 1 | PK. |
| | | | 194397-8 | 14.4V LI-ION BATTERY BL1430 10PK | 1 | PK. |
| A05 | 1 | | DC18RA | CHARGER DC18RA | 1 | PC. |
| | 2 | | DC18RC | CHARGER DC18RC | 1 | PC. |
| | | | DC18SD | CHARGER DC18SD | 1 | PC. |
| | | | DC24SC | CHARGER DC24SC | 1 | PC. |
| | | | DC18SE | AUTOMOTIVE CHARGER DC18SE | 1 | PC. |
| A06 | | | 193681-8 | REFRESHING ADAPTOR ADP03 | 1 | PC. |
| A08 | | | 195621-2 | ** ANTI KICK BACK HEAD SET (SPECIAL ORDER ITEM) | 1 | PC. |
| A09 | | | 453091-4 | ** PROTECTOR BLUE F/ANTI-KICK BACK HEAD SET | 1 | PC. |
| | | | 453092-2 | ** PROTECTOR RED F/ANTI-KICK BACK HEAD SET | 1 | PC. |
| | | | 453093-0 | ** PROTECTOR YELLOW F/ANTI-KICK BACK HEAD SET | 1 | PC. |
| | | | 453094-8 | ** PROTECTOR CLEAR F/ANTI-KICK BACK HEAD SET | 1 | PC. |

**** Special Order Items**