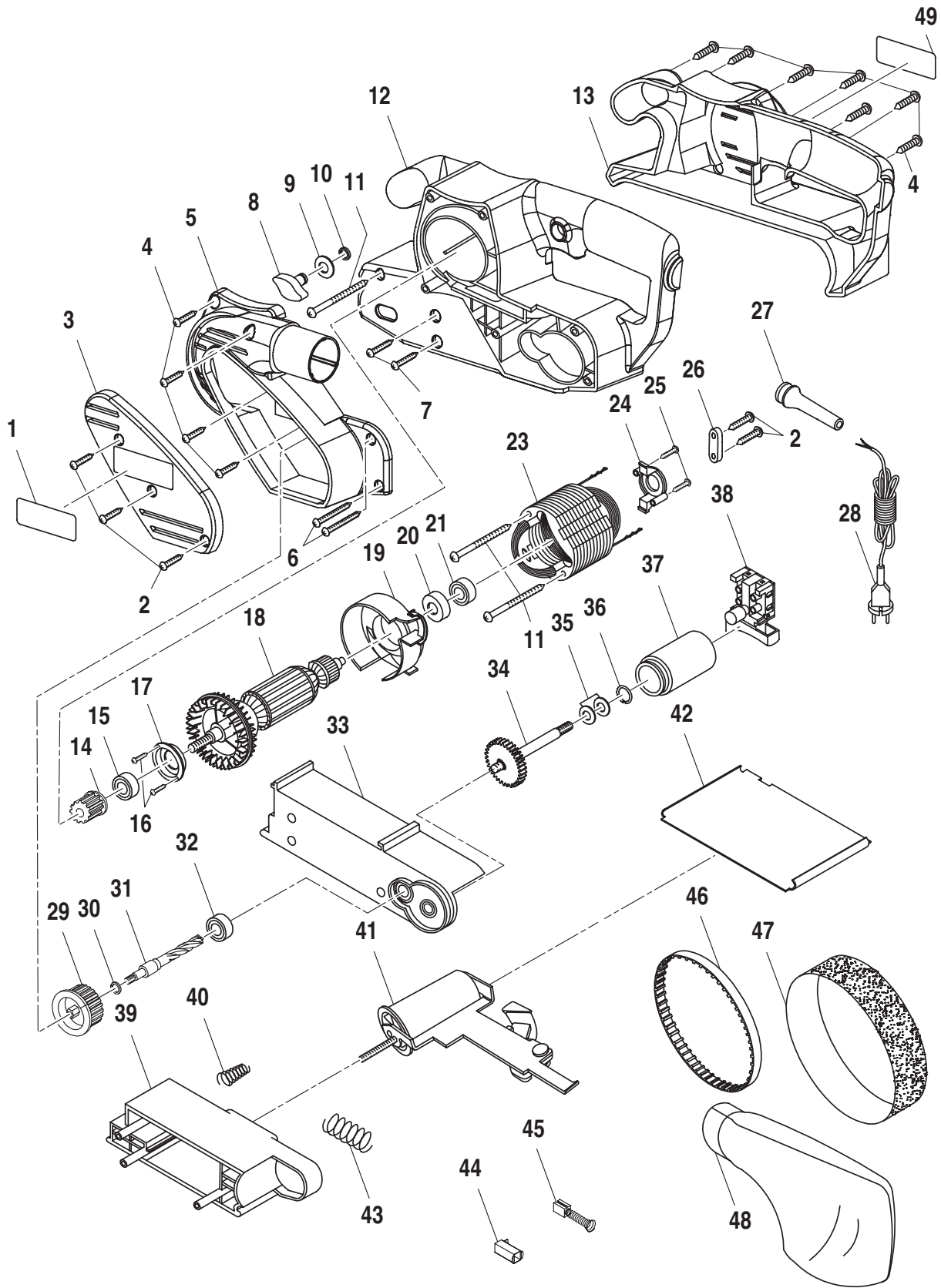


# RYOBI BELT SANDER – MODEL NUMBER BE318



**WARNING:** Improper repair of a double insulated tool can result in damages to the double insulation system possibly causing electrical shock or electrocution. Any repairs requiring disassembly of your tool requires safety testing and should only be performed by a Ryobi Authorized Service Center. For the service center nearest you call 1-800-525-2579.

## RYOBI BELT SANDER – MODEL NUMBER BE318

The model number will be found on a plate attached to the motor housing. Always mention the model number in all correspondence regarding your **BELT SANDER** or when ordering repair parts.

### PARTS LIST

Key No.	Part Number	Description	Qty	Key No.	Part Number	Description	Qty
1	BE318-1	DATA PLATE .....	1	30	BE318-30	SPRING WASHER .....	1
2	BE318-2	SCREW (ST4.2 X 13 mm) .....	5	31	BE318-31	GEAR SHAFT .....	1
3	BE318-3	BELT COVER .....	1	32	BE318-32	BALL BEARING .....	1
4	BE318-4	SCREW (ST4.2 X 16 mm) .....	11	33	BE318-33	ALUMINUM SUPPORT ASSEMBLY .....	1
5	BE318-5	LEFT HOUSING .....	1	34	BE318-34	DRIVE SHAFT ASSEMBLY .....	1
6	BE318-6	SCREW (ST4.2 X 70 mm) .....	2	35	BE318-35	SHIM .....	2
7	BE318-7	SCREW (ST4.2 X 38 mm) .....	2	36	BE318-36	RETAINING RING .....	1
8	BE318-8	KNOB .....	1	37	BE318-37	DRIVE ROLLER ASSEMBLY .....	1
9	BE318-9	WASHER .....	1	38	BE318-38	SWITCH ASSEMBLY .....	1
10	BE318-10	RETAINING RING .....	1	39	BE318-39	BELT HOUSING .....	1
11	BE318-21	SCREW (ST4.2 X 55 mm) .....	3	40	BE318-40	SPRING .....	1
12	BE318-11	MIDDLE HOUSING .....	1	41	BE318-41	ROLLER ASSEMBLY .....	1
13	BE318-12	RIGHT HOUSING .....	1	42	BE318-42	WEAR PLATE .....	1
14	BE318-13	DRIVE PULLEY .....	1	43	BE318-43	SPRING .....	1
15	BE318-14	BALL BEARING .....	1	44	BE318-44	BRUSH SUPPORT ASSEMBLY .....	2
16	BE318-15	SCREW (ST2.9 X 6.5 mm) .....	2	45	BE318-45	BRUSH ASSEMBLY .....	2
17	BE318-16	SLEEVE BEARING .....	1	46	BE318-46	BELT .....	1
18	BE318-17	ARMATURE ASSEMBLY .....	1	47	BE318-47	SANDING BELT .....	1
19	BE318-18	FAN BAFFLE .....	1	48	BE318-48	DUST BAG ASSEMBLY .....	1
20	BE318-19	WASHER .....	1	49	BE318-49	LOGO PLATE .....	1
21	BE318-20	BALL BEARING .....	1		983000-130	OPERATOR'S MANUAL	
23	BE318-22	FIELD ASSEMBLY .....	1		983000-130R	REPAIR SHEET	
24	BE318-23	BRUSH COVER .....	1		10-02		
25	BE318-24	SCREW (ST2.9 X 13 mm) .....	2				
26	BE318-25	CORD CLAMP .....	1				
27	BE318-27	BEND RELIEF .....	1				
28	BE318-28	POWER CORD .....	1				
29	BE318-29	DRIVEN PULLEY .....	1				