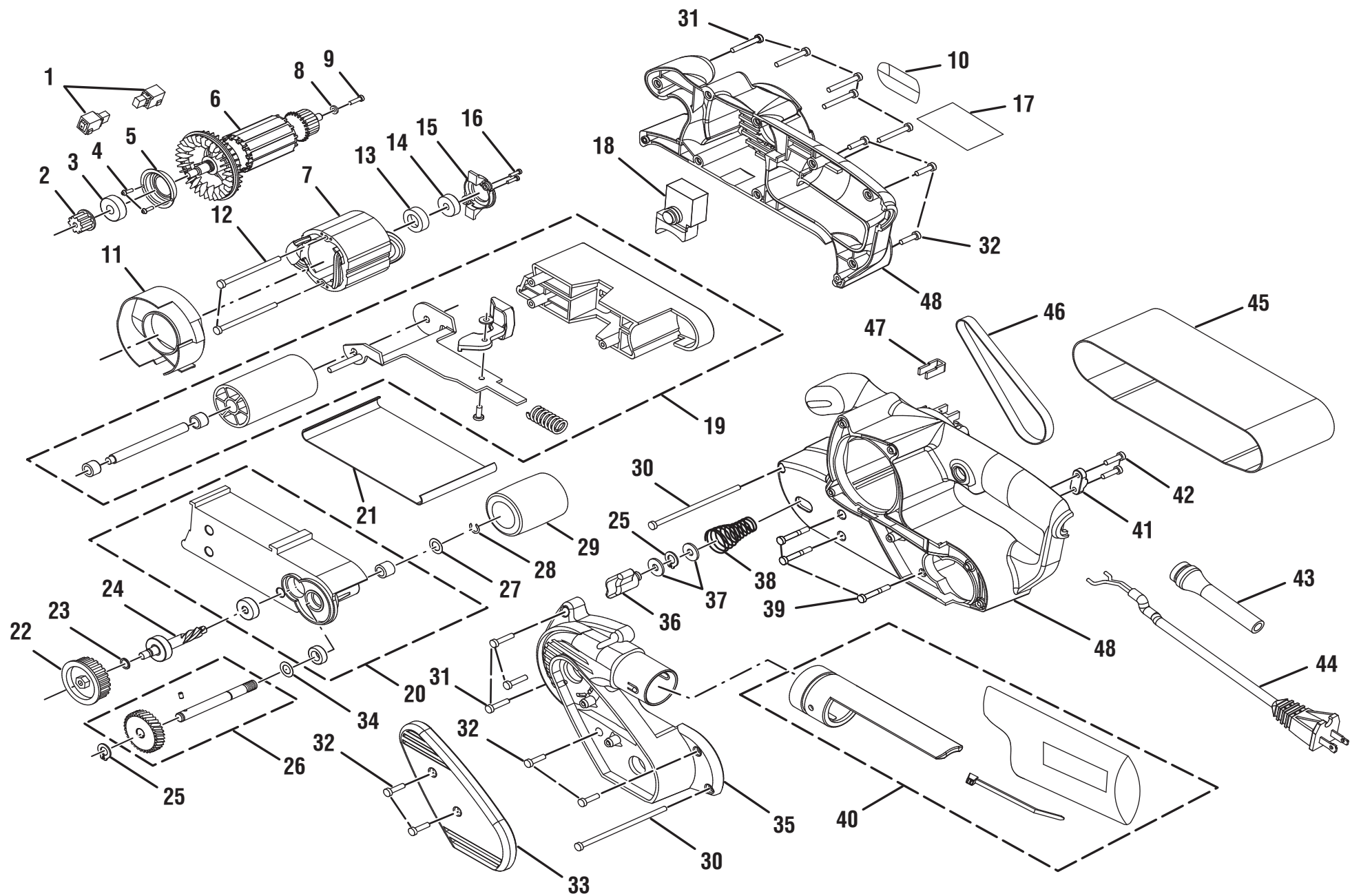


RYOBI BELT SANDER - MODEL NUMBER BE318-2



RYOBI BELT SANDER – MODEL NUMBER BE318-2

The model number will be found on a label attached to the motor housing. Always mention the model number in all correspondence regarding your **BELT SANDER** or when ordering repair parts.

PARTS LIST

KEY NO.	PART NUMBER	DESCRIPTION	QTY	KEY NO.	PART NUMBER	DESCRIPTION	QTY
1	2907536	Brush Assembly	2	27	6973501	Washer	1
2	6456201	Drive Pulley	1	28	6973602	C Ring	1
3	6814104	Ball Bearing (608ZZ).....	1	29	3077702	Rear Roller / Rubber Sleeve.....	1
4	6611303	Screw (M2.5 x 8 mm Pan Hd.)	2	30	6623703	Screw (M4 x 70 mm Pan Hd.)	2
5	6956101	Rotor Mounting Plate	1	31	6620802	Screw (M4 x 18 mm Pan Hd.)	8
6	7442501	Armature.....	1	32	6627201	Screw (M4 x 14 mm Binding Hd.)	7
7	7442601	Field	1	33	5940101	Belt Cover	1
8	6722401	Washer	1	34	6990301	Wave Washer (WW-8)	1
9	6621106	Screw (M3 x 6 mm Pan Hd.)	1	35	5940001	Rotor Sit Cover.....	1
10	940114116	Logo Label	1	36	550266009	Tracking Knob	1
11	5939901	Dust Vent.....	1	37	6913801	Washer	2
12	6620626	Screw (M3.5 x 60 mm Pan Hd.)	2	38	6957201	Compression Spring	1
13	5686401	Rubber Bearing Seat.....	1	39	660208014	Screw (M4 x 45 mm Pan Hd.)	3
14	6972701	Ball Bearing (626Z).....	1	40	300027053	Dust Bag Assembly.....	1
15	5940201	Brush Mount.....	1	41	5950101	Cord Clamp.....	1
16	6620315	Screw (M3 x 10 mm Pan Hd.)	2	42	6620805	Screw (M4 x 16 mm Pan Hd.)	2
17	940214092	Data Label	1	43	560783005	Bend Relief.....	1
18	760487002	Switch Assembly.....	1	44	7336401	Power Cord	1
19	200340001	Yoke / Front Roller Assembly	1	45	9070801	Sanding Belt.....	1
20	301089001	Roller Base Assembly	1	46	5940701	Belt	1
21	6956301	Bottom Plate	1	47	6958401	Stopper	1
22	6456301	Driven Pulley	1	48	200202320	Housing Assembly	1
23	6956901	Spring Washer.....	1		983000599	Operator's Manual (960223458)	
24	200341001	Helical Gear Shaft and Bearing.....	1		5-14-13		
25	6379401	Grip Retainer	2		(Rev:02)		
26	200342001	Helical Gear w/ Shaft	1				

WARNING: Improper repair of a double insulated tool can result in damage to the double insulation system possibly causing electrical shock or electrocution. Any repairs requiring disassembly of your tool requires safety testing and should only be performed by a Ryobi Authorized Service Center. For the service center nearest you call 1-800-525-2579.