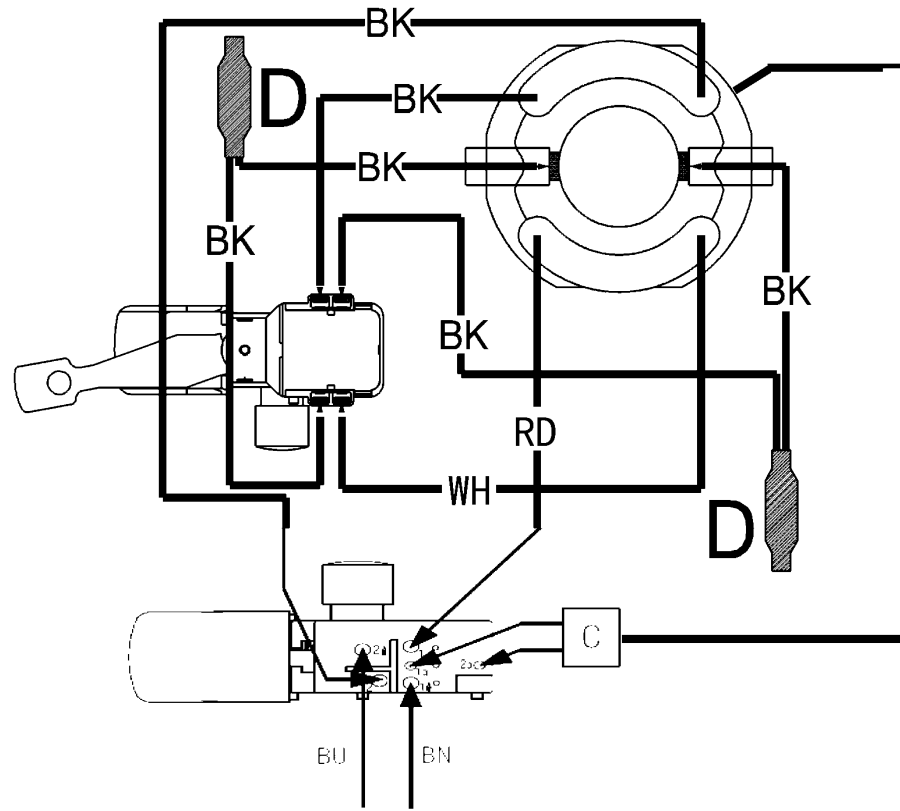


| Position | Amount | Type number | Description              |
|----------|--------|-------------|--------------------------|
| 1        | 1      | 341704550   | Cap screw                |
| 2        | 1      | 341604190   | Spindle                  |
| 3        | 6      | 344092220   | Rubber plug              |
| 4        | 1      | 143111080   | Ball bearing, 12x28x8    |
| 5        | 1      | 340033140   | Spur gear                |
| 6        | 1      | 143111460   | Needle sleeve            |
| 7        | 1      | 341701940   | Cheese-head screw        |
| 8        | 1      | 341604250   | Spindle                  |
| 9        | 1      | 143113400   | Ball bearing, 8x22x7     |
| 10       | 1      | 310010030   | Armature compl.          |
| 11       | 1      | 399999990   | Part not needed          |
| 12       | 1      | 143112230   | Ball bearing, 6x19x6     |
| 13       | 9      | 141116020   | Self-tap. fill. h. screw |
| 14       | 2      | 343254670   | Choke                    |
| 15       | 1      | 343399520   | Housing (2K)             |
| 16       | 1      | 344100590   | Cable sleeve             |
| 17       | 1      | 343254660   | Condenser                |
| 18       | 1      | 343409510   | Electronic switch        |
| 19       | 1      | 338056020   | Rating plate             |
| 20       | 1      | 311011390   | Field coil               |
| 21       | 1      | 343362490   | Cable clip               |
| 22       | 2      | 343012770   | Carbon brush             |
| 23       | 1      | 344498250   | Cable Chinese            |
| 1001     | 1      | 338505480   | Diagram                  |



a# Circuit Block Diagram

