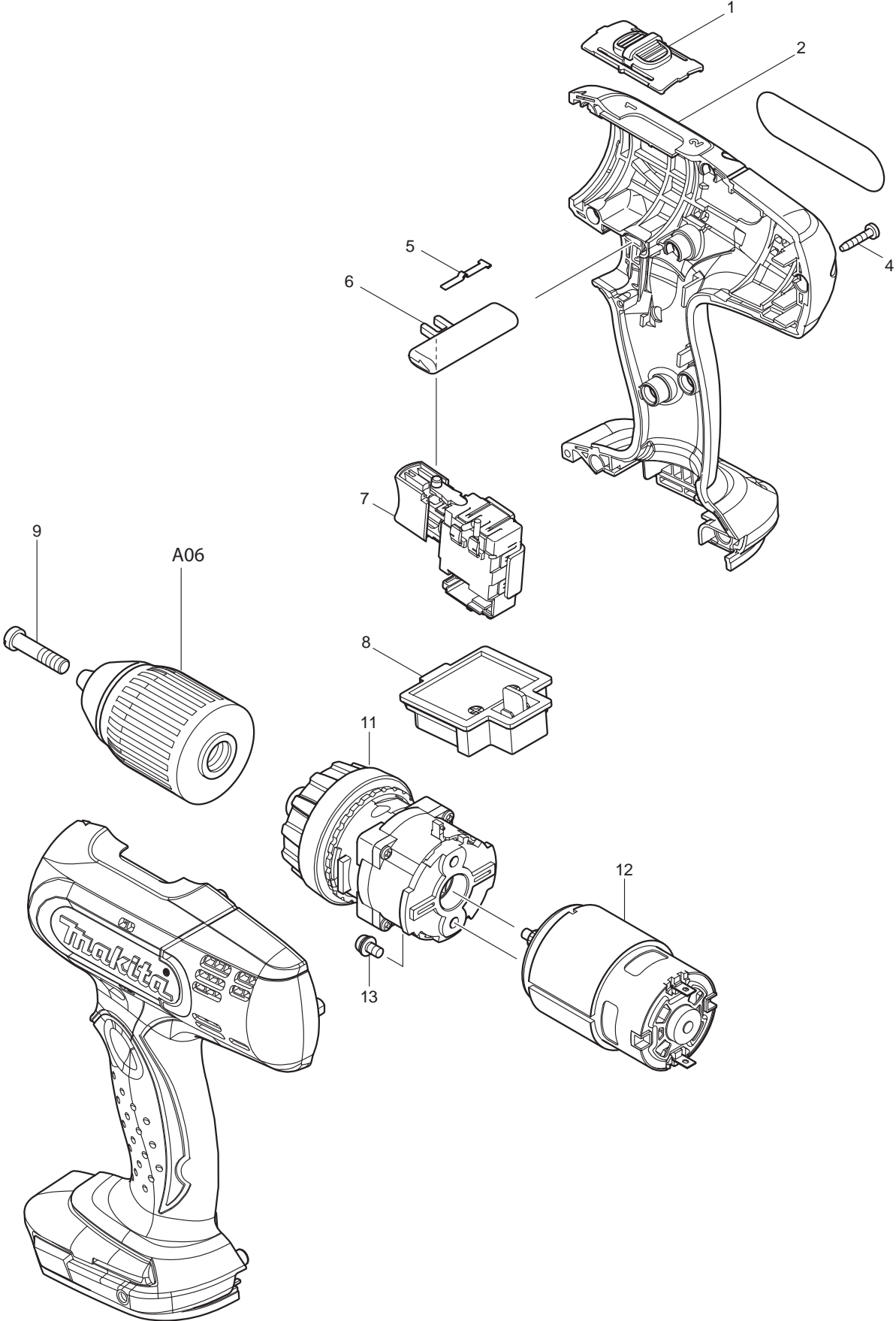




01 - 2010  
BDF453 / BDF453Z / BDF453H  
18V 1/2" DRIVER DRILL



Item No	Type	Part No	Description	Qty	Unit
1		125310-5	SPEED CHANGE LEVER ASS'Y	1	PC.
		INC. 231433-0	COMPRESSION SPRING 4	2	PC.
2	1	188542-5	* HOUSING SET (TYPE 1-2)	1	SET
	3	187363-2	* HOUSING SET (TYPE 3)	1	SET
4		266130-9	TAPPING SCREW BIND PT 3X16	9	PC.
5		232182-2	LEAF SPRING	1	PC.
6		419250-0	F/R CHANGE LEVER	1	PC.
7	1	650604-4	* SWITCH TG563FSB-4 (TYPE 1-2)	1	PC.
	3	632A24-0	* SWITCH UNIT (TYPE 3)	1	PC.
8	1	643812-4	* TERMINAL, BLACK	1	PC.
	2	643844-1	* TERMINAL, YELLOW	1	PC.
	3	643852-2	* TERMINAL	1	PC.
9		251472-4	- FLAT HEAD SCREW M6X26	1	PC.
11		125483-4	GEAR ASS'Y	1	PC.
12		629834-8	DC MOTOR	1	PC.
13		911108-4	PAN HEAD SCREW M4X8	2	PC.
100		251314-2	+ SCREW M4X12 (F/HOOK)	1	PC.
A01		784636-0	+ BIT 2-65	1	PC.
A02		DC18SD	CHARGER DC18SD F/BL1815	1	PC.
A02		DC18SE	12V AUTOMOTIVE CHARGER DC18SE	1	PC.
A02		DC18RAKIT	DC18RA+BL1830 KIT	1	SET
A02		DC24SA	CHARGER DC24SA F/7.2-24V, 1.3-3.3AH BATTERY - N/L/A	1	PC.
A02		DC24SC	CHARGER F/7.2-24V, 1.3-3.3AH	1	PC.
A03		194309-1	18V LI-ION BATTERY BL1815	2	EA.
A03		194428-3	18V LI-ION BATTERY BL1815, 2/PK	1	PK.
A04		450128-8	BATTERY COVER	1	PC.
A05		158777-2	PLASTIC CARRYING CASE	1	PC.
		INC. 163455-1	METAL LATCH	2	PC.
		INC. 419360-3	HANDLE	1	PC.
A06	1	763193-1	1/2" KEYLESS DRILL CHUCK	1	PC.
	2	766027-7	1/2" KEYLESS DRILL CHUCK	1	PC.
A07	1	346034-2	HOOK F/BL1415, BL1815	1	PC.
	2	346449-3	HOOK,COMPACT,F/14.4V,18V From April 2013	1	PC.

**SERVICE CHANGES**

**1. Changes on Switch, Terminal, and Housing Set (Battery Protection Circuit)**

(T/I# 93856)

Item No.	Description	Type 1	Type 2	Type 3
2	HOUSING SET		188542-5	187363-2
7	SWITCH		650604-4	632A24-0
8	TERMINAL	643812-4	643844-1	643852-2

Above parts are completely interchangeable as a set.

**Service Note:**

- Use new parts for repair of the model manufactured on or after December 2011 with using Yellow lead wire between Switch and Terminal.
- Use current parts for repair of the model manufactured before December 2011 without using Yellow lead wire between Switch and Terminal.

**\* See Technical Information No. 93856 for Wiring changes.**