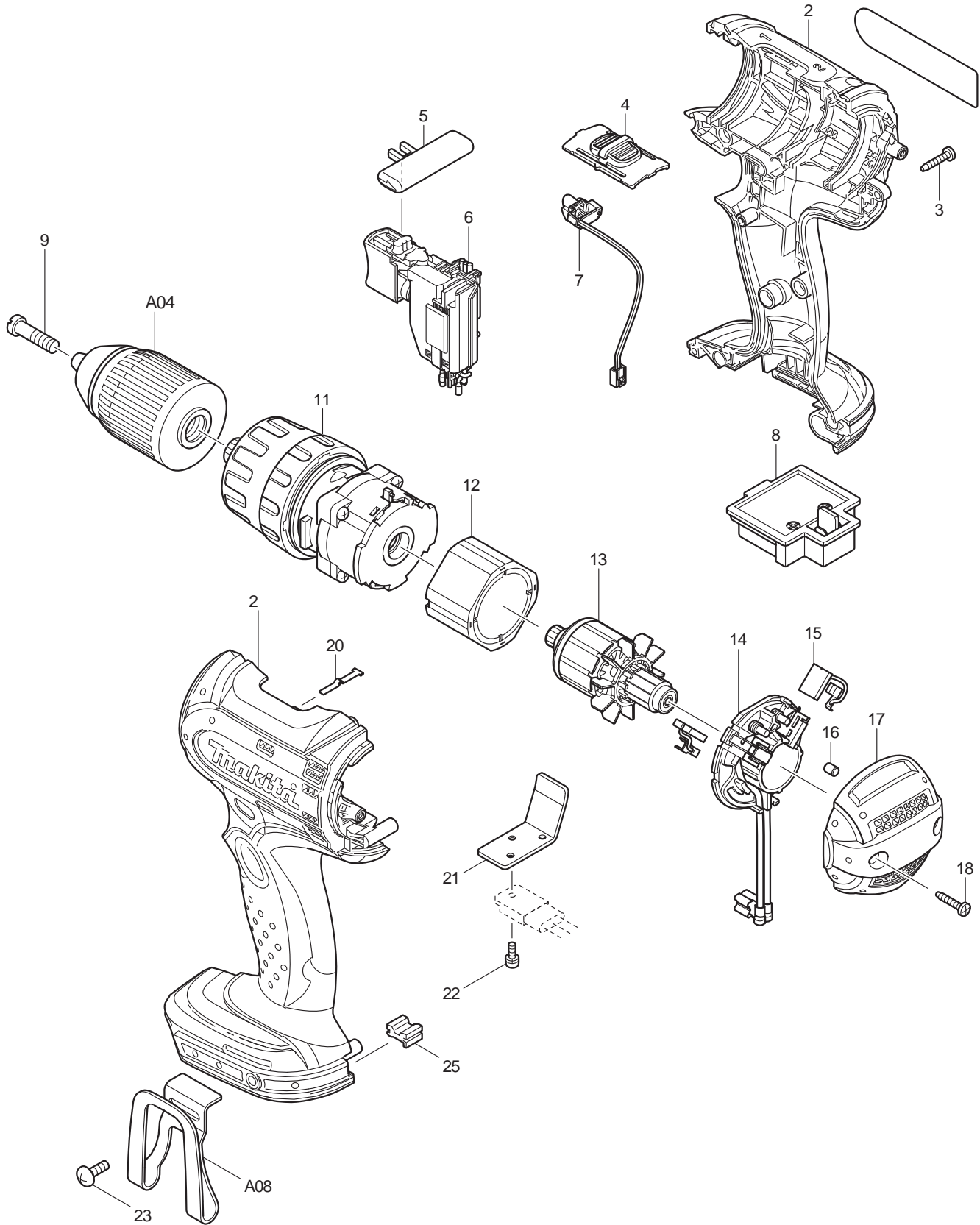




07 - 2008
BDF452 (3.0AH) BLUE
BDF452H (1.5AH) BLUE
BDF452HW (1.5AH) WHITE
18V - 1/2" DRIVER DRILL



| Item No | Type | Ref | Part No | Description | Qty | Unit |
|---------|------|------|----------|--|-----|------|
| 2 | 1 | | 188307-5 | HOUSING SET(BLUE) - N/L/A | 1 | SET |
| | 2 | | 188238-8 | HOUSING SET(BLUE) | 1 | SET |
| | | | 188187-9 | HOUSING SET(WHITE) | 1 | SET |
| 3 | | | 266130-9 | TAPPING SCREW BIND PT 3X16 | 9 | PC. |
| 4 | | | 125366-8 | SPEED CHANGE LEVER ASSY | 1 | PC. |
| | | INC. | 233438-6 | COMPRESSION SPRING 4 | 2 | PC. |
| 5 | | | 419250-0 | F/R CHANGE LEVER | 1 | PC. |
| 6 | | | 650583-6 | SWITCH | 1 | PC. |
| 7 | | | 631735-8 | LED CIRCUIT | 1 | PC. |
| 8 | 1 | | 643812-4 | TERMINAL (BLACK) | 1 | PC. |
| | 2 | | 643844-1 | TERMINAL (YELLOW) | 1 | PC. |
| 9 | 1 | | 251472-4 | - FLAT HEAD SCREW M6X26 (F/ KEYLESS DRILL CHUCK #763193-1) | 1 | PC. |
| | 2 | | 251468-5 | - FLAT HEAD SCREW M6X26 (F/ KEYLESS DRILL CHUCK #766008-1) | 1 | PC. |
| 11 | | | 125348-0 | GEAR ASSY | 1 | PC. |
| 12 | | | 638425-4 | YOKE UNIT | 1 | PC. |
| 13 | | | 619198-8 | ARMATURE | 1 | PC. |
| 14 | | | 638494-5 | BRUSH HOLDER COMPLETE | 1 | PC. |
| 15 | 2 | | 194427-5 | CARBON BRUSH CB-440 2PC/SET (W/O ORIGIN) | 1 | SET |
| | 3 | | 195021-6 | CARBON BRUSH CB-440 2PC/SET (W/ ORIGIN) | 1 | SET |
| 16 | | | 263032-0 | RUBBER PIN 4 | 2 | PC. |
| 17 | | | 419693-6 | REAR COVER (BLUE) | 1 | PC. |
| | | | 419601-7 | REAR COVER (WHITE) | 1 | PC. |
| 18 | | | 266130-9 | TAPPING SCREW BIND PT 3X16 | 2 | PC. |
| 20 | | | 232182-2 | LEAF SPRING | 1 | PC. |
| 21 | | | 689150-0 | HEAT SINK | 1 | PC. |
| 22 | | | 911006-2 | P. H. SCREW M3X8 | 1 | PC. |
| 23 | | | 251314-2 | + SCREW M4X12 (F/HOOK) | 1 | PC. |
| 25 | | | 424026-2 | CUSHION | 1 | PC. |
| E01 | | | 810292-1 | CAUTION LABEL (Added) | 1 | PC. |

ACCESSORIES

| | | | | | | |
|-----|------|------|-----------|---|---|-----|
| A01 | | | DC18RA | FIRST CHARGER DC18RA | 1 | PC. |
| | | | DC18RAKIT | CHARGER DC18RA + BATTERY BL1830 | 1 | SET |
| | | | DC18SD | DC18SD BATTERY CHARGER F/BL1815 | 1 | PC. |
| | | | DC18SE | 12V AUTOMOTIVE CHARGER DC18SE | 1 | PC. |
| | | | DC24SA | CHARGER F/7.2-24V, 1.3-3.3AH - N/L/A | 1 | PC. |
| | | | DC24SC | CHARGER F/7.2-24V, 1.3-3.3AH | 1 | PC. |
| A02 | | | 784637-8 | +/- BIT 2-45 | 1 | PC. |
| A03 | Opt. | | 824812-5 | PLASTIC CARRYING CASE (BLOW MOLD) | 1 | PC. |
| | | INC. | 163455-1 | METAL LATCH | 2 | PC. |
| A03 | | | 824774-7 | PLASTIC CARRYING CASE | 1 | PC. |
| | | INC. | 324679-6 | SHAFT | 1 | PC. |
| | | INC. | 417724-5 | LATCH | 2 | PC. |
| | | INC. | 419216-0 | HANDLE | 1 | PC. |
| A04 | 1 | | 763193-1 | 1/2" KEYLESS DRILL CHUCK (Use with Item No. 9, TYPE1) | 1 | PC. |
| | 2 | | 766008-1 | 1/2" KEYLESS DRILL CHUCK (Use with Item No. 9, TYPE2) | 1 | PC. |
| A05 | | | 194205-3 | 18V LI-ION BATTERY BL1830(3.0AH) | 2 | PC. |
| | | | 194230-4 | 18V LI-ION BATTERY BL1830 (2PCS/PK) | 1 | PK |
| | | | 194309-1 | 18V LI-ION BATTERY BL1815 | 2 | PC. |
| | | | 194428-3 | 18V LI-ION BATTERY BL1815 (2PCS/PK) | 1 | PK |
| A06 | 1 | | 419276-2 | BIT HOLDER | 1 | PC. |
| | 2 | | 452947-8 | BIT HOLDER | 1 | PC. |
| A07 | | | 450128-8 | BATTERY COVER | 1 | PC. |
| A08 | | | 324705-1 | HOOK (F/BL1830) | 1 | PC. |
| | | | 346034-2 | HOOK (F/BL1815) | 1 | PC. |
| A09 | | | 194649-7 | BATTERY PROTECTOR (F/BL1830) | 1 | PC. |