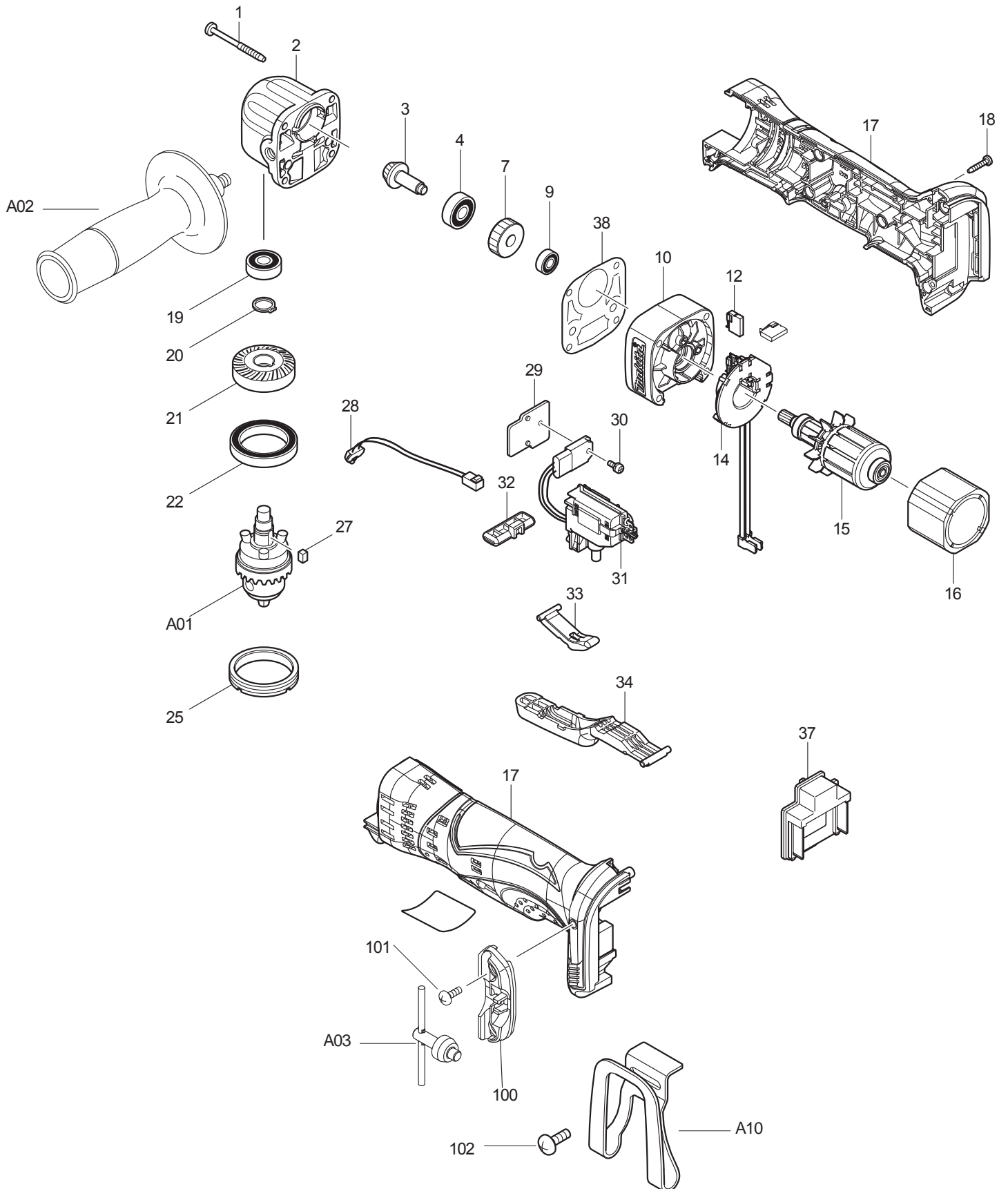




01 - 2010
BDA340, BDA340Z
14.4V ANGLE DRILL KIT



| Item No | Type | Ref | Part No | Description | Qty | Unit |
|--------------------|------|------|---|--|-----|------|
| 1 | | | 266069-6 | TAPPING SCREW 4X45 | 4 | PC. |
| 2 | | | 317635-3 | GEAR HOUSING | 1 | PC. |
| 3 | | | 227436-0 | SPIRAL BEVEL GEAR 9 | 1 | PC. |
| 4 | | | 210029-0 | BALL BEARING 608ZZ | 1 | PC. |
| 7 | | | 227230-0 | SPUR GEAR 29 | 1 | PC. |
| 9 | | | 210033-9 | BALL BEARING 696ZZ | 1 | PC. |
| 10 | | | 450607-6 | GEAR HOUSING COVER | 1 | PC. |
| 12 | 1 | | 194427-5 | CARBON BRUSH CB-440 2PC/SET (W/O ORIGIN) | 1 | SET |
| | 2 | | 195021-6 | CARBON BRUSH CB-440 2PC/SET, W/ ORIGIN | 1 | SET |
| 14 | 1 | | 638615-9 | BRUSH HOLDER COMPLETE | 1 | PC. |
| | 2 | | 539189-2 | BRUSH HOLDER ASSY | 1 | PC. |
| | | INC. | | Item No. 12 | | |
| 15 | | | 619232-4 | ARMATURE | 1 | PC. |
| 16 | | | 638613-3 | YOKE UNIT | 1 | PC. |
| 17 | 1 | * | 188534-4 | HOUSING SET | 1 | SET |
| | 2 | * | 187129-0 | HOUSING SET | 1 | SET |
| 18 | | | 266130-9 | TAPPING SCREW BIND PT 3X16 | 5 | PC. |
| 19 | | | 210029-0 | BALL BEARING 608ZZ | 1 | PC. |
| 20 | | | 961052-5 | RETAINING RING S-12 | 1 | PC. |
| 21 | | | 227536-6 | SPIRAL BEVEL GEAR 26 | 1 | PC. |
| 22 | | | 211423-9 | BALL BEARING 6806DDW | 1 | PC. |
| 25 | | | 285842-5 | BEARING RETAINER 36-43 | 1 | PC. |
| 27 | | | 254201-4 | KEY 4 | 1 | PC. |
| 28 | | | 631814-2 | LED CIRCUIT | 1 | PC. |
| 29 | | | 689098-6 | HEAT SINK | 1 | PC. |
| 30 | | | 911006-2 | PAN HEAD SCREW M3X8 | 1 | PC. |
| 31 | 1 | | 650606-0 | * SWITCH C3HZ-1A-TPLM | 1 | PC. |
| | 2 | | 638881-8 | * SWITCH UNIT | 1 | PC. |
| | 3 | | 632B91-1 | * SWITCH UNIT | 1 | PC. |
| 32 | | | 450610-7 | F/R CHANGE LEVER | 1 | PC. |
| 33 | | | 450609-2 | LINK | 1 | PC. |
| 34 | | | 450608-4 | SWITCH LAVER | 1 | PC. |
| 37 | 1 | | 643811-6 | * TERMINAL | 1 | PC. |
| | 2 | | 643867-9 | * TERMINAL | 1 | PC. |
| 38 | | | 418036-9 | GASKET | 1 | PC. |
| 100 | | | 450688-0 | KEY HOLDER | 1 | PC. |
| 101 | | | 251314-2 | + SCREW M4X12 (FOR KEY HOLDER) | 1 | PC. |
| 102 | | | 251314-2 | + SCREW M4X12 (FOR HOOK, BIT HOLDER) | 1 | PC. |
| ACCESSORIES | | | - See catalogue or visit www.makita.ca for more accessories information - | | | |
| A01 | | | 763174-5 | 3/8" DRILL CHUCK | 1 | PC. |
| A02 | | | 153489-2 | GRIP 36 COMPLETE | 1 | PC. |
| A03 | | | 763415-9 | CHUCK KEY S10 | 1 | PC. |
| A04 | 1 | | DC18RA | CHARGER DC18RA | 1 | PC. |
| | 2 | | DC18RC | CHARGER DC18RC | 1 | PC. |
| A05 | | | 194066-1 | 14.4V LI-ION BATTERY BL1430 | 1 | PC. |
| | | | 194397-8 | 14.4V LI-ION BATTERY BL1430, 2/PK | 1 | PK |
| A06 | | | 450128-8 | BATTERY COVER | 1 | PC. |
| A07 | 1 | | 824851-5 | PLASTIC CARRYING CASE | 1 | PC. |
| | | INC. | 163455-1 | LATCH | 2 | PC. |
| | | INC. | 419360-3 | HANDLE | 1 | PC. |
| | 2 | | 141358-9 | PLASTIC CARRYING CASE F/DC18RC | 1 | PC. |
| | | INC. | 163455-1 | LATCH | 2 | PC. |
| | | INC. | 419360-3 | HANDLE | 1 | PC. |
| A08 | | | 194649-7 | BATTERY PROTECTOR(F/BL1430, BL1830) | 1 | PC. |
| A09 | 1 | | 419276-2 | BIT HOLDER | 1 | PC. |
| | 2 | | 452947-8 | BIT HOLDER | 1 | PC. |
| A10 | 1 | | 324705-1 | HOOK F/ BL1430, BL1830 | 1 | PC. |
| | 2 | | 346449-3 | HOOK F/ BL1430, BL1830 | 1 | PC. |

SERVICE CHANGES

1. Changes on Switch, Terminal, and Housing Set (Battery Protection Circuit)

(T/I# 91094)

(T/I# A1290)

| Item No. | Description | Type 1 | Type 2 | Type 3 |
|----------|-------------|----------|----------|----------|
| 17 | HOUSING SET | 188534-4 | | 187129-0 |
| 31 | SWITCH | 650606-0 | 638881-8 | 632B91-1 |
| 37 | TERMINAL | 643811-6 | | 643867-9 |

Above parts are completely interchangeable as a set.

Service Note: Type 1 and Type 2

- Use new parts for repair of the model manufactured on or after June 2011 with using Yellow lead wire between Switch and Terminal.
- Use current parts for repair of the model manufactured before June 2011 without using Yellow lead wire between Switch and Terminal.

*** See Technical Information No. 91094 for Wiring changes.**