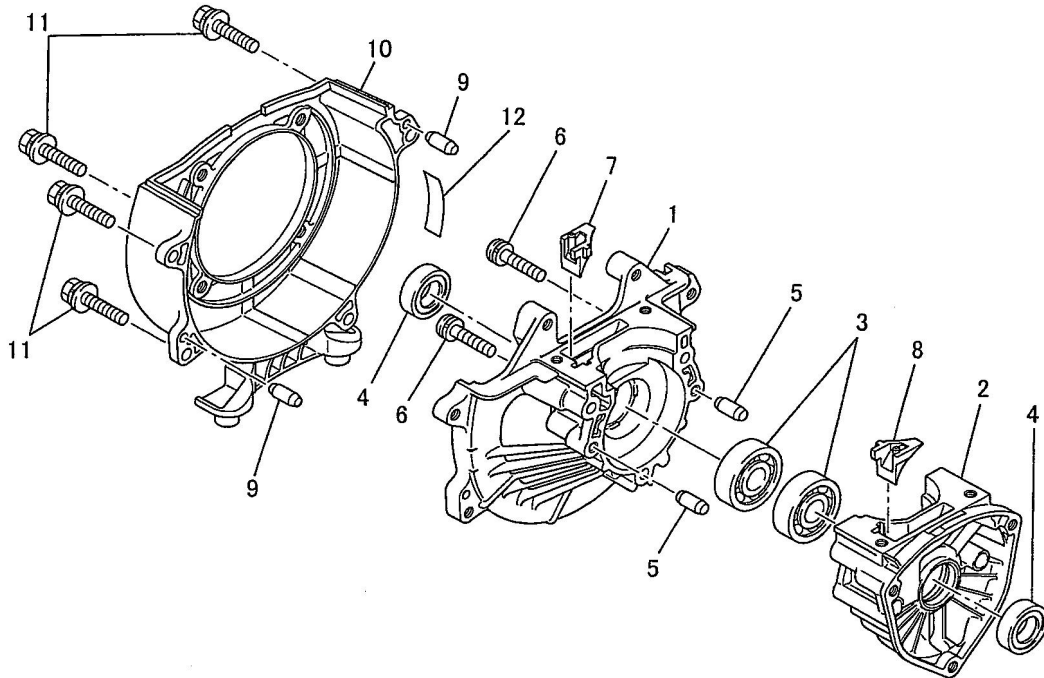
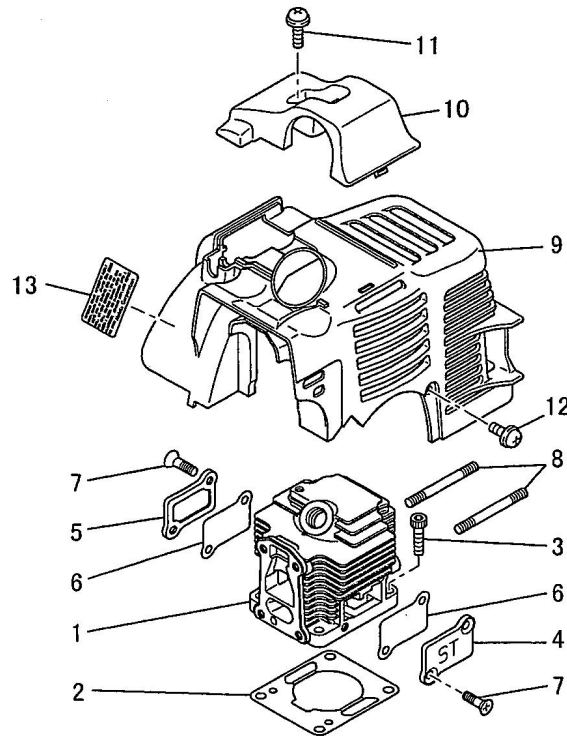


1. CRANKCASE SYSTEM



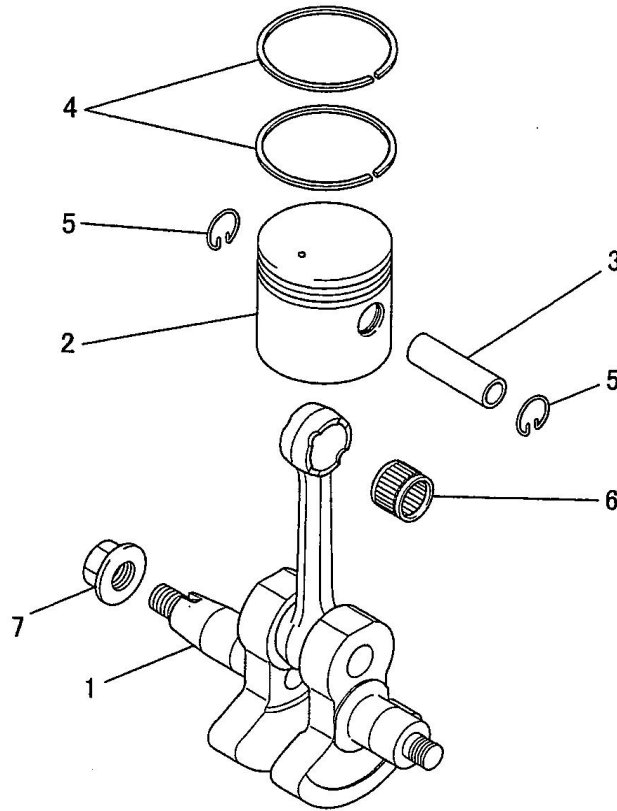
Item No.	Part No.	Qty. Used	Description	Item No.	Part No.	Qty. Used	Description
1	KB13004AA	1	CASE,DRIVE	7	KB90005AA	1	GUIDE
2	KB13005AA	1	CASE,STARTER	8	KB90006AA	1	GUIDE
3	110X60X010	2	BEARING,BALL #6001	9	KU40004AA	2	PIN,DOWEL
4	KW21005AA	2	OIL SEAL	10	KH30024DA	1	CASE,FAN
5	KU40003AA	2	PIN,DOWEL	11	FR64569E	4	BOLT&WASHER
6	KU12028AA	3	SCREW&WASHER	12	KW56056AA	1	LABEL

2. CYLINDER, TOP COVER SYSTEM



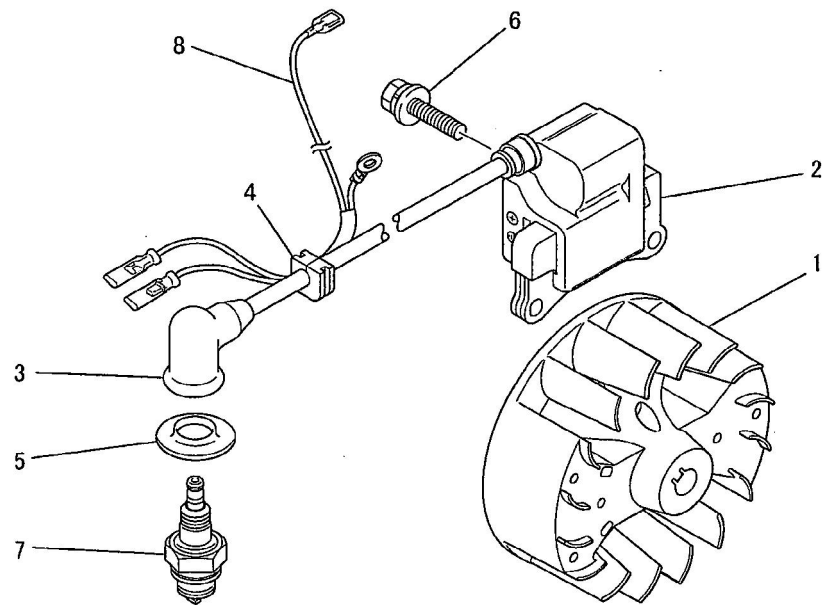
Item No.	Part No.	Qty. Used	Description	Item No.	Part No.	Qty. Used	Description
1	KC13020AA	1	CYLINDER	7	KU12031AA	4	SCREW,CTSK-CRS
2	KW32014AA	1	GASKET,CYLINDER	8	151B05X050	2	BOLT,STUD
3	121C05X020	4	BOLT,SCH	9	KH40094DA	1	COVER, TOP
4	KC90016AA	1	COVER	10	KH70020AA	1	GUARD,PLUG
5	KC90017AA	1	COVER	11	71D05X020K	1	SCREW & WASHER
6	KW39079AA	2	GASKET	12	KU12043AA	1	SCREW & WASHER
				13	KW56248BA	1	LABEL,EMISSION

3. CRANKSHAFT & PISTON SYSTEM



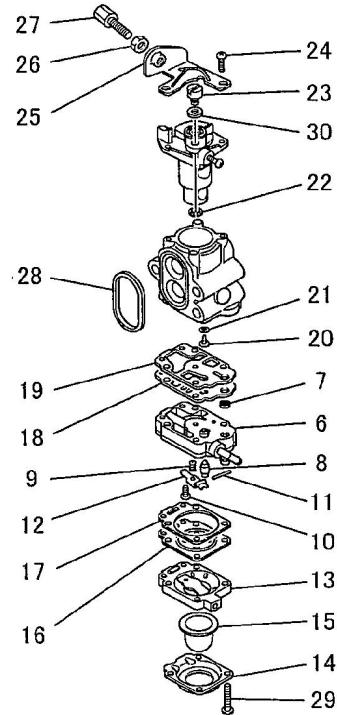
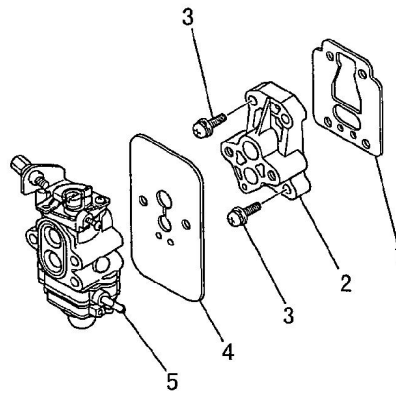
Item No.	Part No.	Qty. Used	Description	Item No.	Part No.	Qty. Used	Description
1	KD01033AA	1	CRANKSHAFT ASSY	4	FR64264	2	RING, TOP
2	KP13015AA	1	PISTON	5	FR64817	2	CLIP, PISTON PIN
3	FR64815	1	PIN, PISTON	6	FR64857	1	BEARING, NEEDLE
				7	ZZ70028C	1	NUT, CONICAL SPG

4. FLYWHEEL MAGNETO SYSTEM



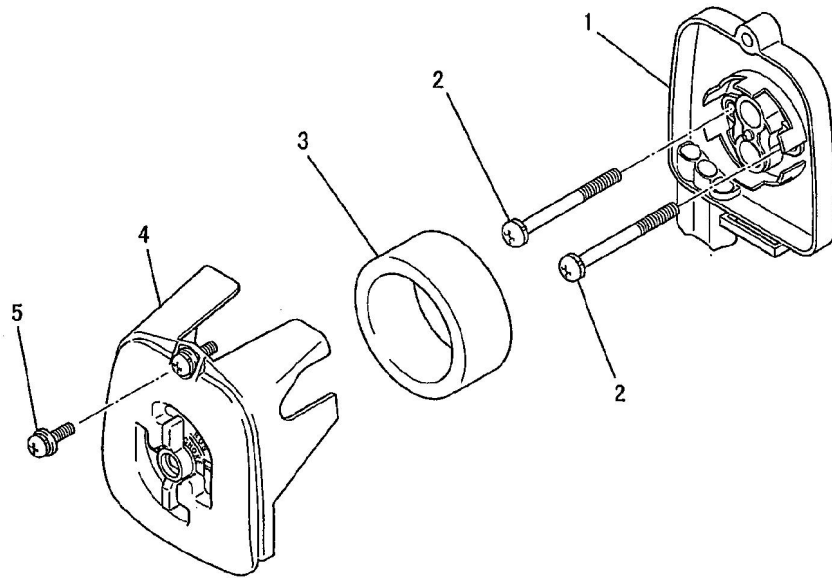
Item No.	Part No.	Qty. Used	Description	Item No.	Part No.	Qty. Used	Description
1	KE11026AA	1	ROTOR	5	FR66751	1	CAP,PLUG
2	KE04032AB	1	COIL,IGNITION (INCL.FIG.3)	6	FR64569A	2	BOLT&WASHER
3	FR64961	1	CAP,PLUG	7	KE41011AA	1	PLUG,SPARK NGK BPMR8
4	KE90001BA	1	GROMMET	8	KE90239AA	1	WIRE,LEAD

5. CARBURETOR SYSTEM



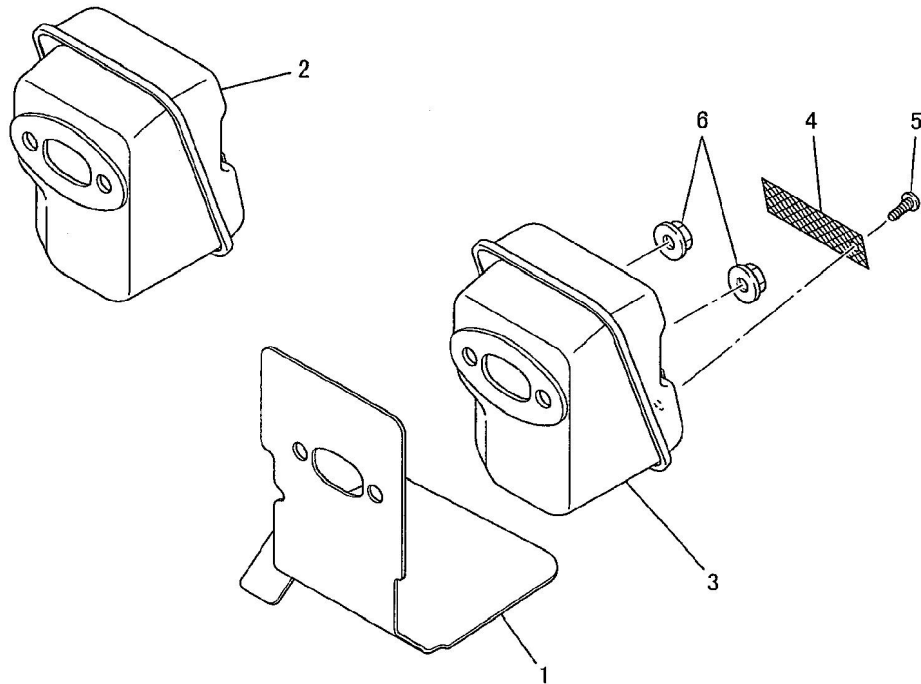
Item No.	Part No.	Qty. Used	Description	Item No.	Part No.	Qty. Used	Description
1	KW34066AA	1	GASKET,INSULATOR	16	21028AA006	1	DIAPHRAGM
2	KK31031AA	1	INSULATOR	17	22007AA012	1	GASKET
3	FR64960E	4	SCREW&WASHER	18	21017AA005	1	DIAPHRAGM
4	KW39091AA	1	GASKET,CARBURETOR	19	21028AA009	1	GASKET
5	KK21044AA	1	CARBURETOR(D) (INC.FIG. 6-30)	20	22057CA010	1	JET
6	22016AA002	1	BODY,PUMP (INC.FIG.7-12)	21	21017AA002	1	O-RING
7	21009AA002	1	SCREEN	22	66652XX032	1	CLIP
8	22007AA003	1	VALVE,NEEDLE	23	21024AA022	1	HOLDER,WIRE
9	23002AA005	1	SPRING	24	21017AA021	2	SCREW
10	22007AA005	1	SCREW	25	22023AA014	1	BRACKET
11	66652XX027	1	PIN	26	21017AA027	1	NUT
12	66652XX029	1	LEVER	27	22008AA016	1	SCREW,ADJUST
13	22007AA006	1	BODY	28	21028AA019	1	PACKING
14	22007AA007	1	COVER	29	22007AA019	4	SCREW
15	21017AA013	1	PRIMER PUMP ASSY	30	22004EA024	1	WASHER

6. AIR CLEANER SYSTEM



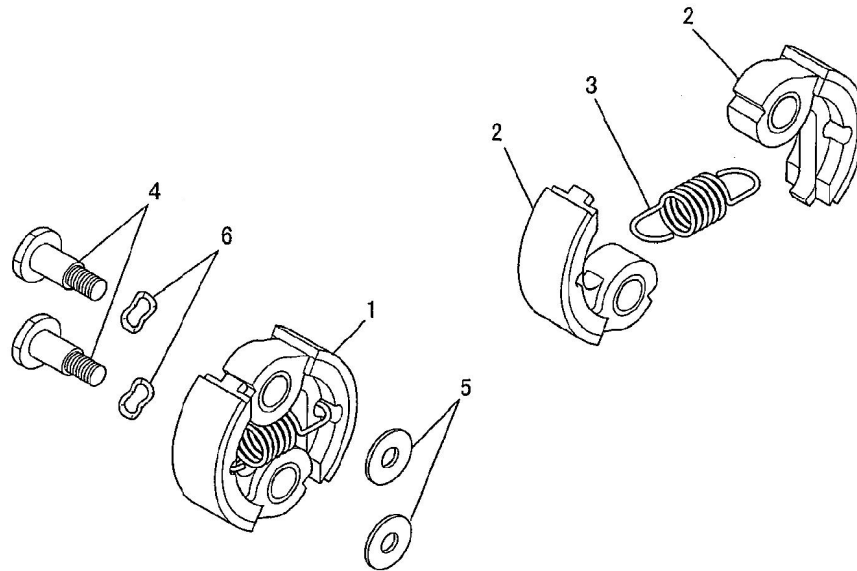
Item No.	Part No.	Qty. Used	Description	Item No.	Part No.	Qty. Used	Description
1	KA11025AA	1	CASE,CLEANER	3	KA40080AA	1	ELEMENT,CLEANER
2	71D05X050	2	SCREW&WASHER	4	KA02032AA	1	COVER,CLEANER (INC.FIG.5)
				5	FR64960D	1	SCREW&WASHER

7. MUFFLER SYSTEM



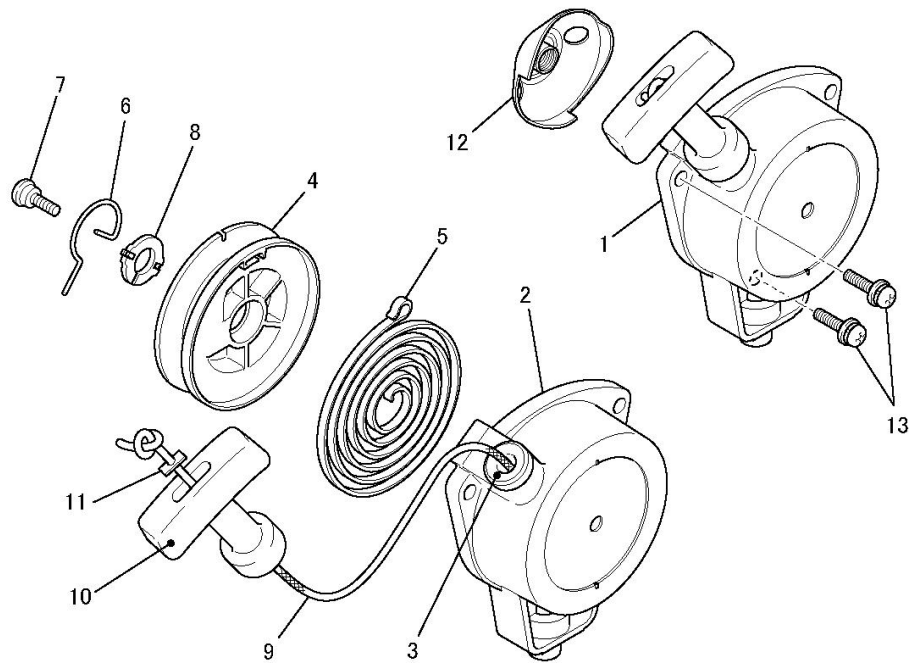
Item No.	Part No.	Qty. Used	Description	Item No.	Part No.	Qty. Used	Description
1	KM70061AA	1	GASKET,MUFFLER	4	KM90179AA	1	SPARK ARRESTER
2	KM01080AA	1	MUFFLER ASSY (INC.FIG. 3-5)	5	006D03X006	1	SCREW
3	KM01078AA	1	MUFFLER	6	FR67566	2	NUT,FLANGE

8. CLUTCH SYSTEM



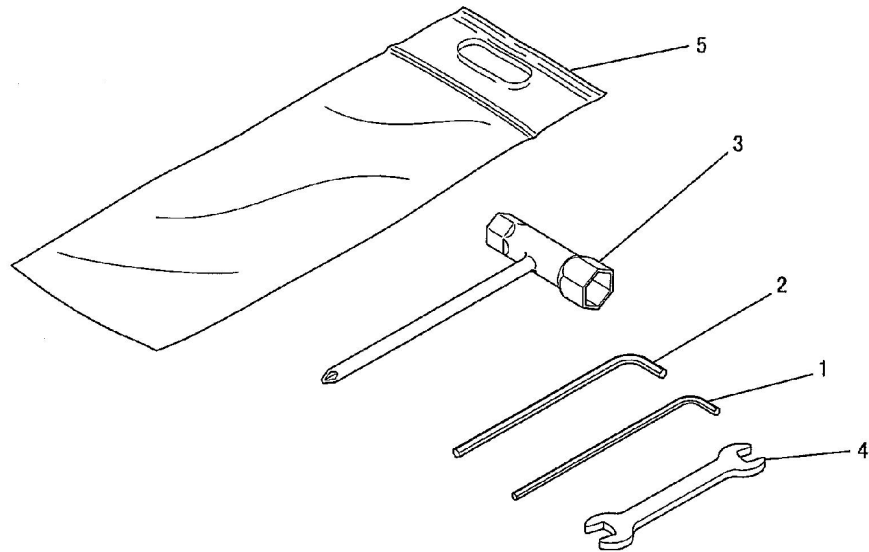
Item No.	Part No.	Qty. Used	Description	Item No.	Part No.	Qty. Used	Description
1	KT01002BA	1	CLUTCH (INCL. FIG.2,3)	4	KT14003AA	2	BOLT,CLUTCH
2	KT12004BA	2	SHOE,CLUTCH	5	FR67347A	2	WASHER
3	FR64233A	1	SPRING	6	KU36001DA	2	WASHER

9. RECOIL STARTER SYSTEM



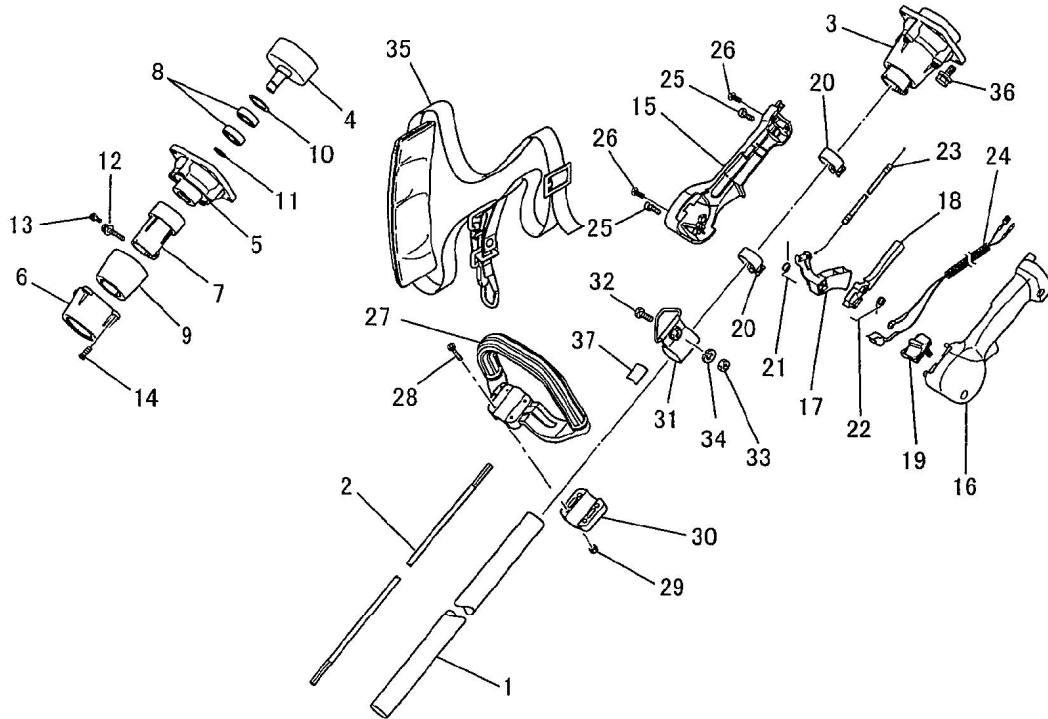
Item No.	Part No.	Qty. Used	Description	Item No.	Part No.	Qty. Used	Description
1	KS20088AB	1	RECOIL STARTER (INC.FIG.2-11)	8	20088AA009	1	SPACER
2	20088AB001	1	CASE,STARTER	9	20088AB011	1	ROPE,STARTER
3	20021AA006	1	GUIDE	10	66881XX011	1	KNOB,STARTER
4	20088AA005	1	REEL	11	20097AA010	1	STOPPER
5	67166XX003	1	SPRING	12	KS30045AA	1	PULLEY,STARTER
6	20088AA007	1	LEVER	13	KU12043AA	2	SCREW&WASHER
7	20088AA008	1	SCREW				

12. TOOL SET



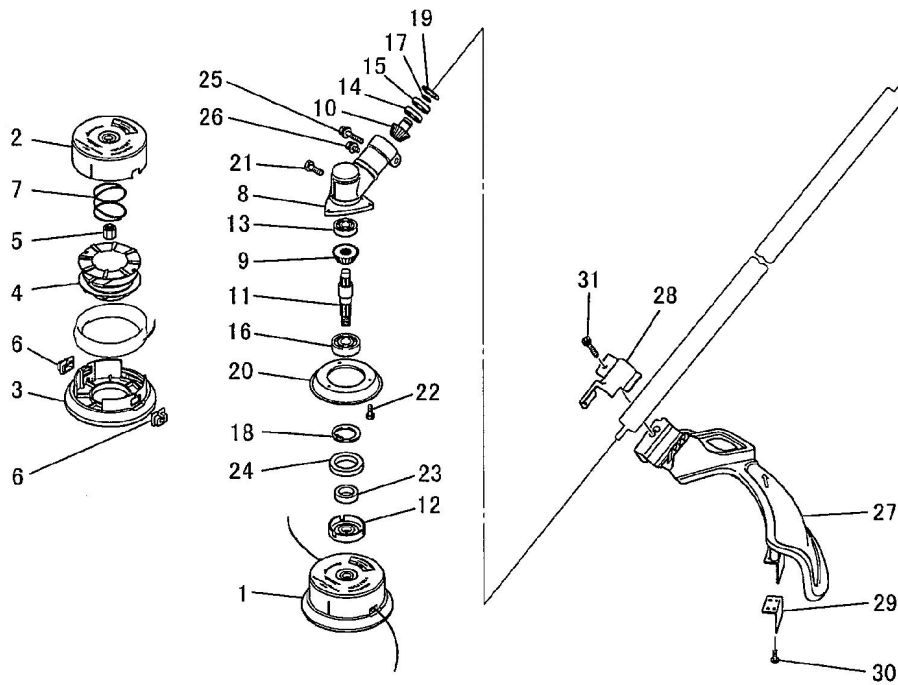
Item No.	Part No.	Qty. Used	Description	Item No.	Part No.	Qty. Used	Description
1	01015AA001	1	WRENCH KEY	4	01015AA004	1	SPANNER
2	01015AA002	1	WRENCH KEY	5	01015AA005	1	BAG,TOOL
3	01015BA003	1	SPANNER,BOX				

16. HANDLE & CONTROL SYSTEM



Item No.	Part No.	Qty. Used	Description	Item No.	Part No.	Qty. Used	Description
1	50109AA001	1	PIPE	19	50602AA007	1	SWITCH
2	50104AA002	1	SHAFT	20	50602AA008	2	CLAMP
3	KQ50508AA	1	CLUTCH CASE ASSY (INC.FIG. 4-14)	21	50601AA009	1	SPRING
4	50504AA001	1	CLUTCH DRUM	22	50601AA010	1	SPRING
5	50508AA002	1	CASE,CLUTCH	23	50601AA011	1	WIRE,THROTTLE
6	50508AA003	1	CASE,CLUTCH	24	50601AA013	1	WIRE,LEAD
7	50504AA004	1	CASE,CLUTCH	25	50501AA008	2	BOLT
8	50501AA003	2	BEARING,BALL	26	50601AA015	4	TAP-SCREW
9	50504AA006	1	RUBBER CUSHION	27	50702AA001	1	HANDLE
10	50501AA005	1	SNAP RING	28	50701AA004	4	BOLT
11	50501AA006	1	SNAP RING	29	50401AA006	4	NUT
12	50501AA007	1	BOLT	30	50703AA006	1	CAP
13	50501AA008	1	BOLT	31	KQ50803AA	1	HOLDER (INC.FIG.32-34)
14	50504AA007	4	BOLT	32	50801AA002	1	BOLT
15	50602AA001	1	CASE	33	50801AA003	1	NUT
16	50602AA003	1	CASE	34	50801AA004	1	WASHER,SPG
17	50602AA005	1	LEVER,THROTTLE	35	KQ50901AA	1	BAND,SHOULDER
18	50602AA006	1	LEVER	36	50402AA005	4	BOLT
				37	50101AA004	1	LABEL

17. GEAR CASE



Item No.	Part No.	Qty. Used	Description	Item No.	Part No.	Qty. Used	Description
1	KQ50203AA	1	STRING HEAD (INC.FIG.2-7)	17	50302AA010	1	SNAP RING
2	50203AA001	1	CASE	18	50302AA011	1	SNAP RING
3	50203AA002	1	COVER	19	50304AA010	1	SNAP RING
4	50203AA003	1	HOLDER	20	50304AA013	1	COVER
5	50203AA004	1	NUT	21	50302AA012	1	BOLT
6	50201AA005	2	GUIDE	22	50304AA015	3	BOLT
7	50203AA007	1	SPRING	23	50304AA016	1	SPACER
8	50304AA001	1	CASE	24	50304AA017	1	OIL SEAL
9	50304AA002	1	GEAR	25	50304AA018	1	BOLT
10	50304AA003	1	GEAR	26	50504AA007	1	BOLT
11	50304AA004	1	SHAFT	27	50408AA001	1	GUARD
12	50304AA005	1	HOLDER	28	50403AA002	1	BRACKET
13	50304AA006	1	BEARING,BALL	29	50402AA003	1	CUTTER
14	50304AA007	1	BEARING,BALL	30	50601AA015	3	TAP-SCREW
15	50304AA008	1	BEARING,BALL	31	50402AA005	1	BOLT
16	50304AA009	1	BEARING,BALL				