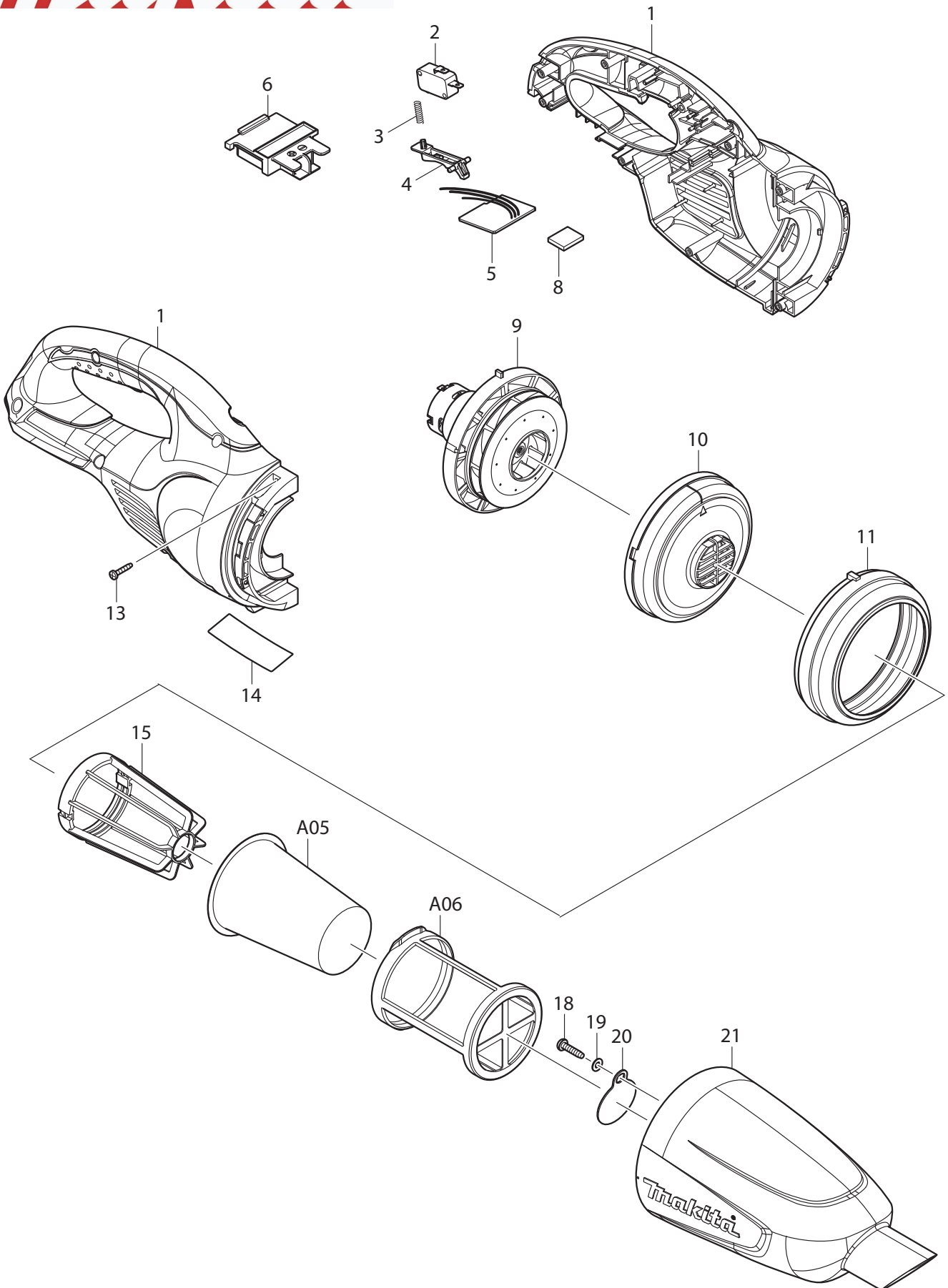




09 - 2011
BCL180Z / BCL180F
18V VACUUM CLEANER



Item No	Type	Ref	Ref Parent	Part No	Description	Qty	Unit
1	2			187012-1	* HOUSING SET (OLD# 188694-2)	1	PC.
		INC.		424209-4	* SPONGE SHEET 50-50	2	PC.
		INC.		810526-2	* CAUTION LABEL	1	PC.
	3			187457-3	* HOUSING SET	1	PC.
		INC.		424209-4	* SPONGE SHEET 50-50	2	PC.
		INC.		810526-2	* CAUTION LABEL	1	PC.
2	2			651944-3	* SWITCH DMC-1115-13	1	PC.
2	2			651944-3	* SWITCH DMC-1115-13	1	PC.
3				231473-8	COMPRESSION SPRING 4	1	PC.
4				451227-9	SWITCH LEVER	1	PC.
5	2			631887-5	* CONTROLLER	1	PC.
	3			638936-9	* CONTROLLER UNIT	1	PC.
6	2			643833-6	* TERMINAL	1	PC.
	3			643860-3	* TERMINAL	1	PC.
8				424248-4	* SPONGE SHEET 15-25	1	PC.
9	1			125588-0	MOTOR ASS'Y (Yellowish White, ABS)	1	PC.
		INC.		451373-8	BASE	1	PC.
		INC.		265199-0	+ PAN HEAD SCREW M3X8	2	PC.
		INC.		240102-2	FAN 82	1	PC.
	2			125867-6	MOTOR ASS'Y (Black, PPLGF-30)	1	PC.
		INC.		452455-9	BASE	1	PC.
		INC.		265199-0	+ PAN HEAD SCREW M3X8	2	PC.
		INC.		240102-2	FAN 82	1	PC.
10				416030-5	FAN COVER	1	PC.
11	1			421554-8	RUBBER RING	1	PC.
11	2			424320-2	RUBBER RING	1	PC.
13				266429-2	TAPPING SCREW 3X16	7	PC.
14				866660-6	BCL180 NAME PLATE	1	PC.
15				410237-5	STAY	1	PC.
18				265995-6	TAPPING SCREW 4X18	1	PC.
19				941051-3	FLAT WASHER 4	1	PC.
20				424208-6	VALVE	1	PC.
21				451235-0	CAPSULE	1	PC.
22				424308-2	* SPONGE SHEET 50-36 (Added)	1	PC.
D01				654208-4	RECEPTACLE	2	PC.
D02				654069-2	RECEPTACLE	4	PC.
	2			122859-6	NOZZLE ASS'Y	1	PC.
		INC.		451410-8	ROLLER (OLD# 424095-3)	4	PC.
		INC.		268208-4	PIN 3	4	PC.
		INC.		424096-1	WIPER	1	PC.
A02				451243-1	SASH NOZZLE	1	PC.
A03				451244-9	PIPE	1	PC.
A04				451245-7	SASH NOZZLE HOLDER	1	PC.
A05				443060-3	FILTER	1	PC.
A06				451208-3	PRE-FILTER	1	PC.
A07				122291-4	NOZZLE ASS'Y	1	PC.
A08				191496-7	FLEXIBLE HOSE	1	PC.
A09				191724-0	SHELF BRUSH	1	PC.
A10				194205-3	18V LI-ION BATTERY BL1830	1	PC.
				194230-4	18V LI-ION BATTERY BL1830 (3.0AH) 2/PK	1	PK
				194309-1	18V LI-ION BATTERY BL1815	1	PC.
				194428-3	18V LI-ION BATTERY BL1815(1.5AH) 2/PK	1	PK
A11	1			DC18RA	CHARGER DC18RA	1	PC.
	2			DC18RC	CHARGER DC18RC	1	PC.
				DC18SD	CHARGER DC18SD	1	PC.
				DC18SE	18V AUTOMOTIVE CHARGER	1	PC.
				DC18RAKIT	CHARGER & BATTERY (DC18RA&BL1830)	1	KIT
				DC24SC	CHARGER F/7.2-24V, 1.3-3.3AH BATTERY	1	PC.

SERVICE CHANGES

1. Changes on Sponge Sheet

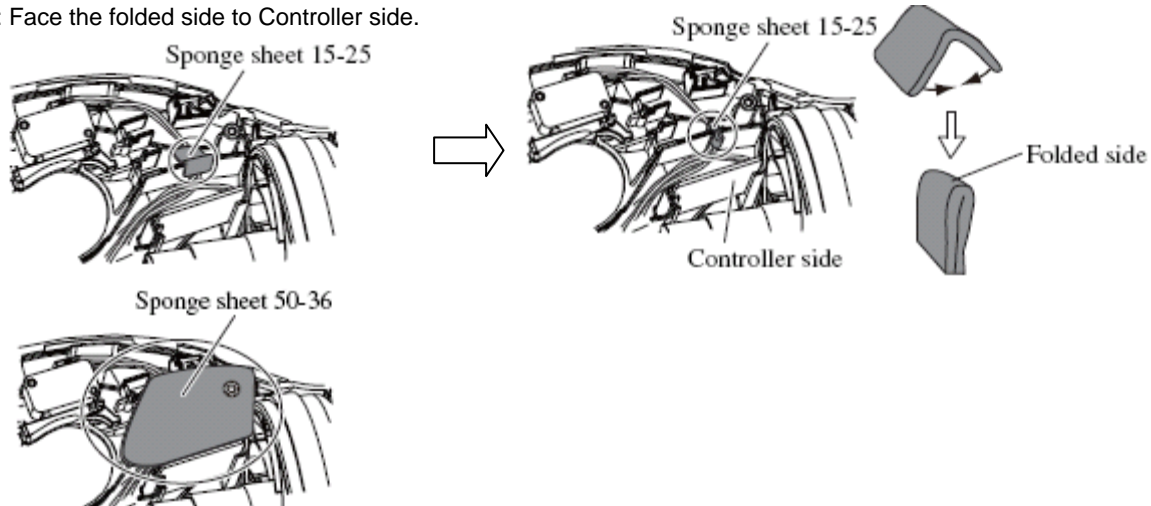
Item No.	Description	Type 1	Type 2
8	SPONGE SHEET 15-25		424248-4
22	SPONGE SHEET 50-36	-----	424308-2

Above parts are completely interchangeable as a set.

Service Note:

After putting these lead wires into the bottom of lead wire holder, insert a folded Sponge sheet 15-25 so that the sponge sheet's height and the ribs' height are in a line as illustrated above.

Note: Face the folded side to Controller side.



2. Changes on Switch, Terminal, Controller and Housing Set (Battery Protection Circuit)

Item No.	Description	(T/I# 89202)		(T/I# 92563)
		Type 1	Type 2	Type 3
1	HOUSING SET	188694-2	187012-1	187457-3
2	SWITCH		651944-3	651891-8
5	CONTROLLER		651944-3	651891-8
6	TERMINAL		643833-6	643860-3

Above parts are completely interchangeable as a set.

Service Note:

- Use Type 3 parts for repair of the models manufactured on or after October 2011 with using Yellow lead wire between Switch and Terminal.
- Use Type 1-2 parts for repair of the models manufactured before October 2011 without using Yellow lead wire between Switch and Terminal.

* See Technical Information No. 92563 for Illustration.