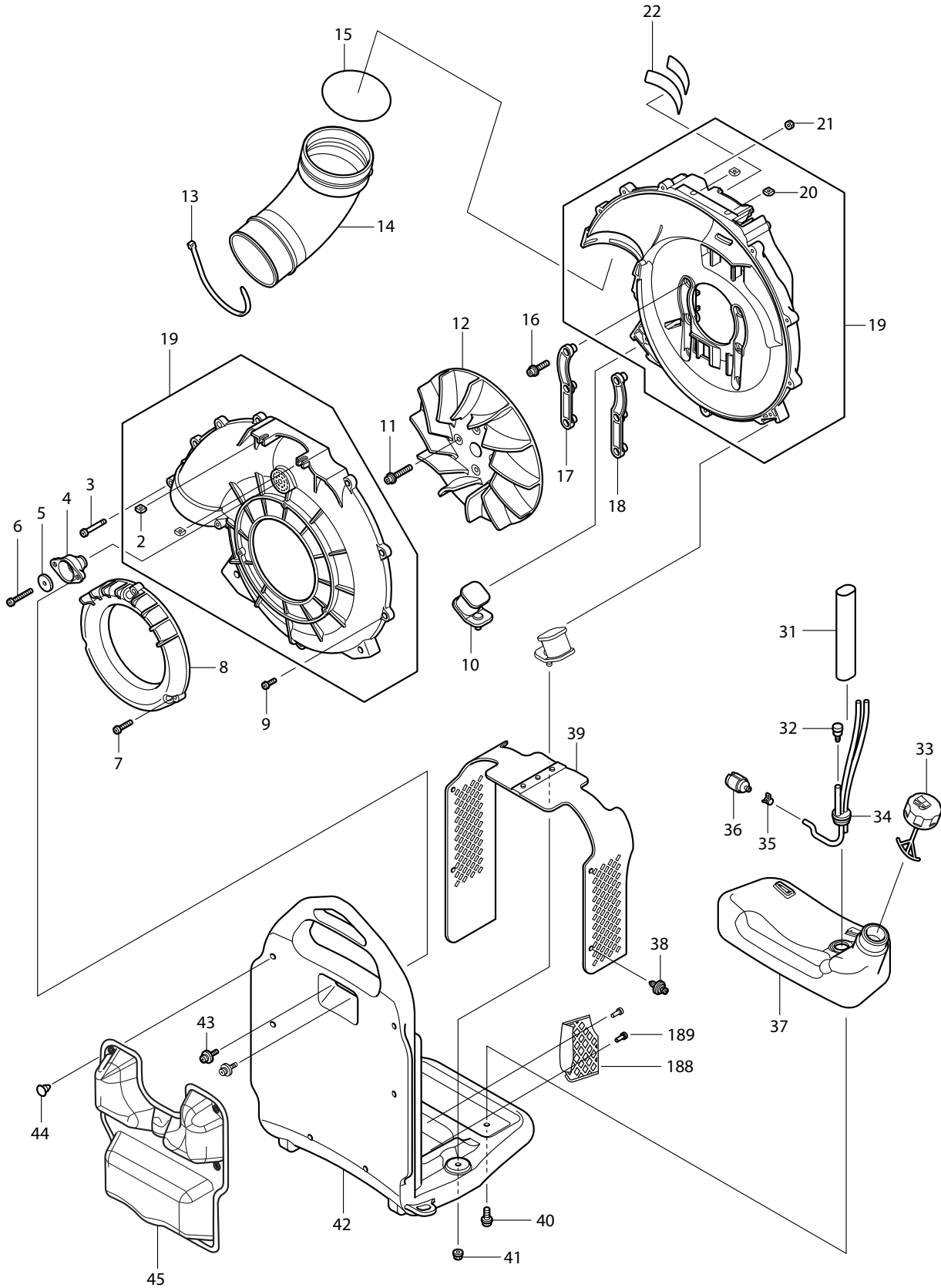




PARTS BREAKDOWN

BBX7600N

PB-7602.4

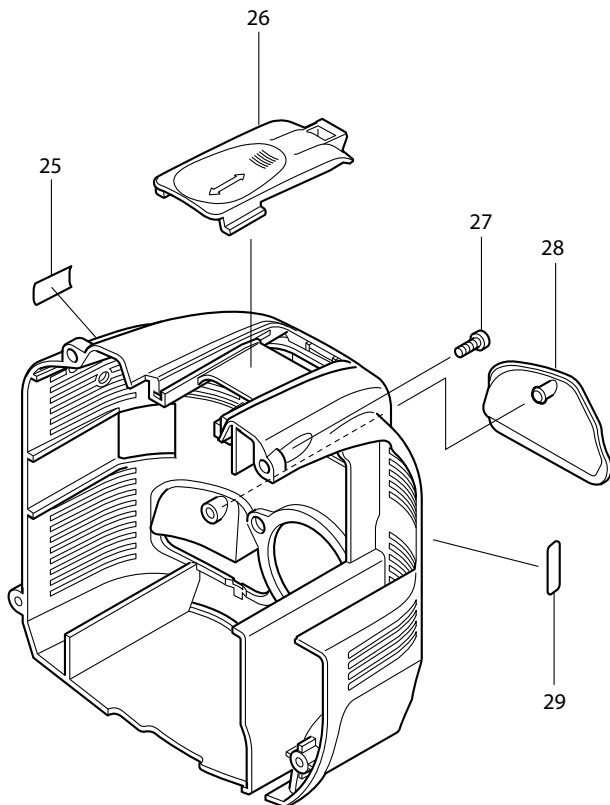
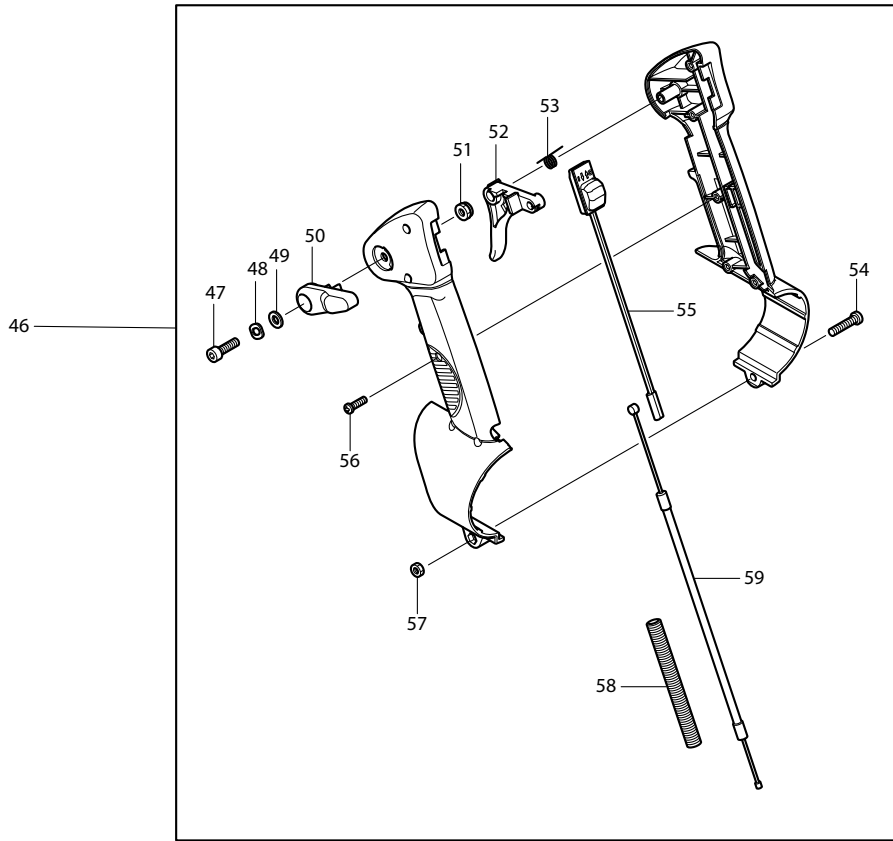


Products with multiple versions are listed in subsiding order with the newest version on top not indented.

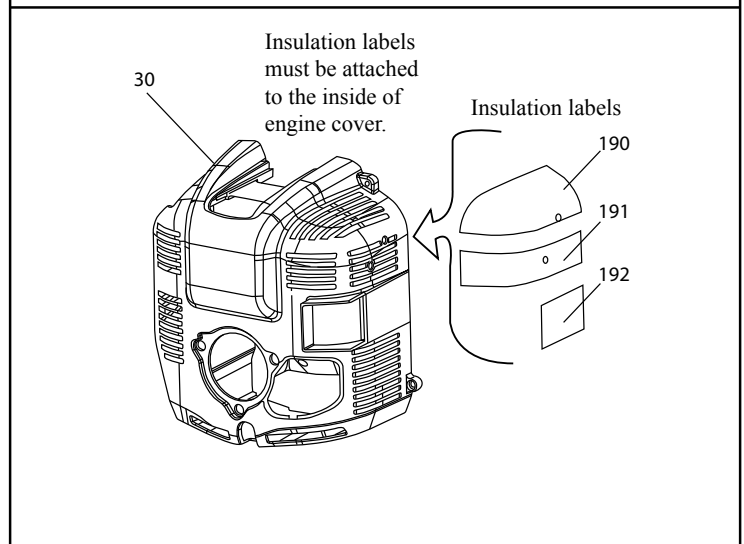
Section	Fig. No.	Part No.	Description	BBX7600N	PB-7602.4	Tech Bulletin	Notes
1	1	667-10070-01	VOLUTE CASE 1 ASS'Y	1	1		
1	2	667-10050-10	SQUARE NUT	2	2		
1	3	014-00592-20	SCREW ASSY M5X65 (W.SW)	2	2		
1	4	667-10020-00	DAMPER 1 COMPL	1	1		
1	5	020-00599-10	WASHER M5	1	1		
1	6	004-31054-00	PAN HEAD SCREW M5X40	1	1		
1	7	015-00597-30	TAPPING SCREW 5X25	3	3		
1	8	667-10010-00	INLET COVER COMPL	1	1		
1	9	015-00598-00	TAPPING SCREW M5X18	9	9		
1	10	667-10030-00	DAMPER 2 COMPL	2	2		
1	11	011-90696-90	SOCKET HEAD BOLT M6X40 (W.SW)	4	4		
1	12	240138-1	IMPELLER	1	1		
1	13	056-33799-90	WIRE BAND	1	1		
1	14	667-15004-00	ELBOW	1	1		
1	15	213645-7	O RING	1	1		
1	15	024-09899-90	O RING	1	1	Y06345	
1	16	266649-8	SOCKET HEAD BOLT M6X30	6	6		
1	17	667-15002-00	BASE 1	1	1		
1	18	667-15003-00	BASE 2	1	1		
1	19	667-10080-02	VOLUTE CASE 2 ASS'Y, BBX7600	1	1		
1	20	667-10050-10	SQUARE NUT	2	2		
1	21	931202-6	NUT M5	2	2		
1	21	017-00599-50	NUT M5	2	2		
1	22	892460-8	CAUTION LABEL	1	1	A5745	
1	22	073-62899-80	CAUTION LABEL	1	1		
1	31	412119-7	TUBE GUARD 20-160	1	1		
1	32	168396-6	BREATHER	1	1		
1	33	125472-9	FUEL TANK CAP ASSEMBLY	1	1		
1	34	168787-1	TUBE	1	1		
1	34	085-13399-60	TUBE COMPLETE	1	1		
1	35	345920-4	HOSE CLAMP	1	1		
1	36	163532-9	FUEL FILTER, BBX	1	1		
1	36	580-65029-00	FILTER	1	1		

Products with multiple versions are listed in subsiding order with the newest version on top not indented.

Section	Fig. No.	Part No.	Description	BBX7600N	PB-7602.4	Tech Bulletin	Notes
1	37	667-30060-01	FUEL TANK ASS'Y, BBX7600CA	1	1		
1	37	667-30060-00	FUEL TANK	1	1		
1	38	667-25003-00	ROCK RIVET	4	4		
1	39	667-20020-00	GUARD COMPL	1	1		
1	40	004-37061-20	SCREW ASSY M6X12 (W.SW)	2	2		
1	41	002-37060-00	FLANGE NUT M6	2	2	Y06268	
1	42	667-20010-00	FRAME COMPL	1	1		
1	43	014-00592-10	SCREW ASSY M5X16 (W.SW)	2	2		
1	44	667-25002-00	ROCK RIVET	6	6		
1	45	667-20030-00	CUSHION COMPLETE	1	1		
1	188	667-25004-00	FAN COVER	1	1		
1	189	667-25003-00	ROCK RIVET	2	2		



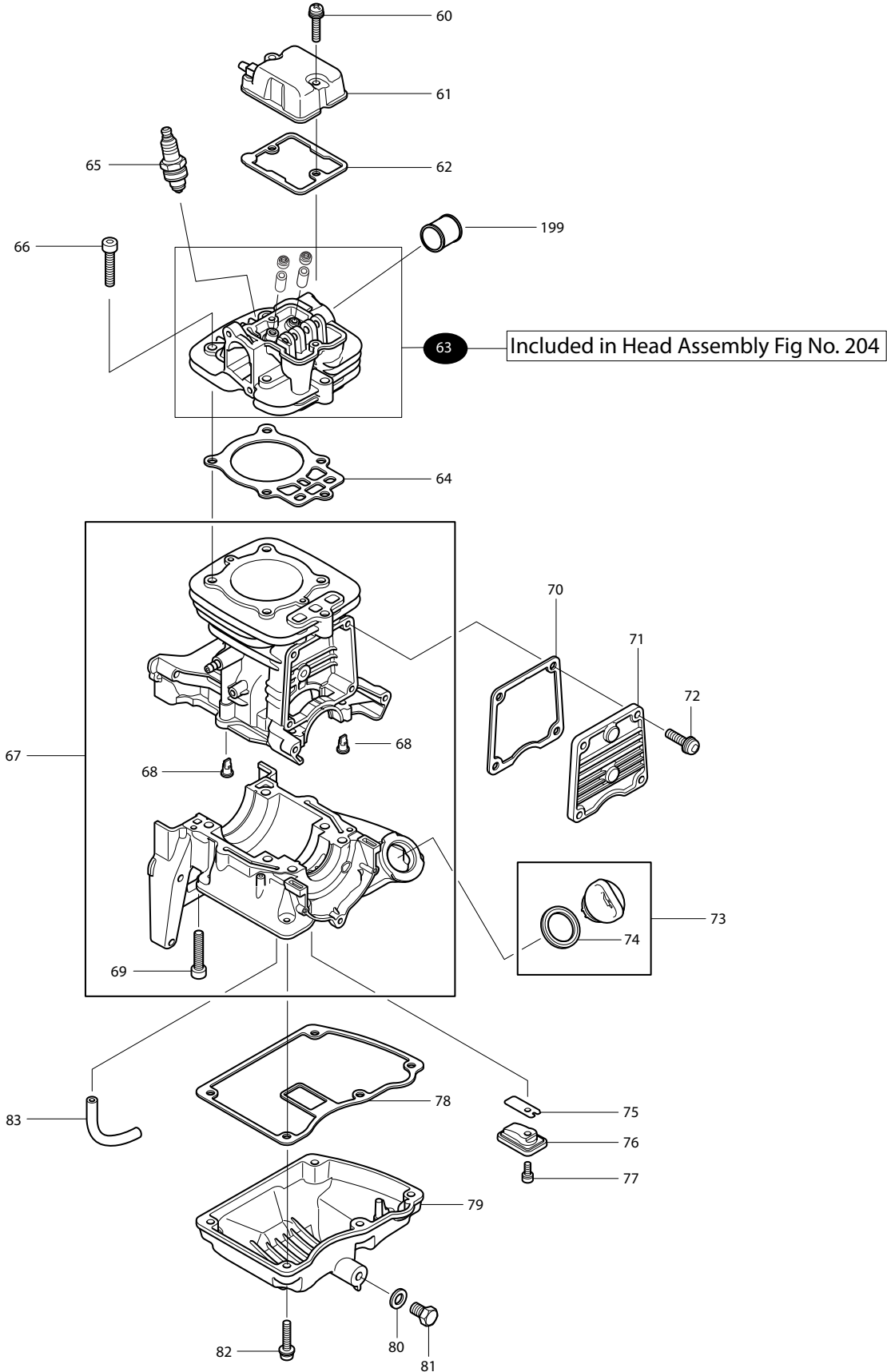
NOTE: Fig No's 190, 191, 192 not included with Fig No. 30.



Products with multiple versions are listed in subsiding order with the newest version on top not indented.

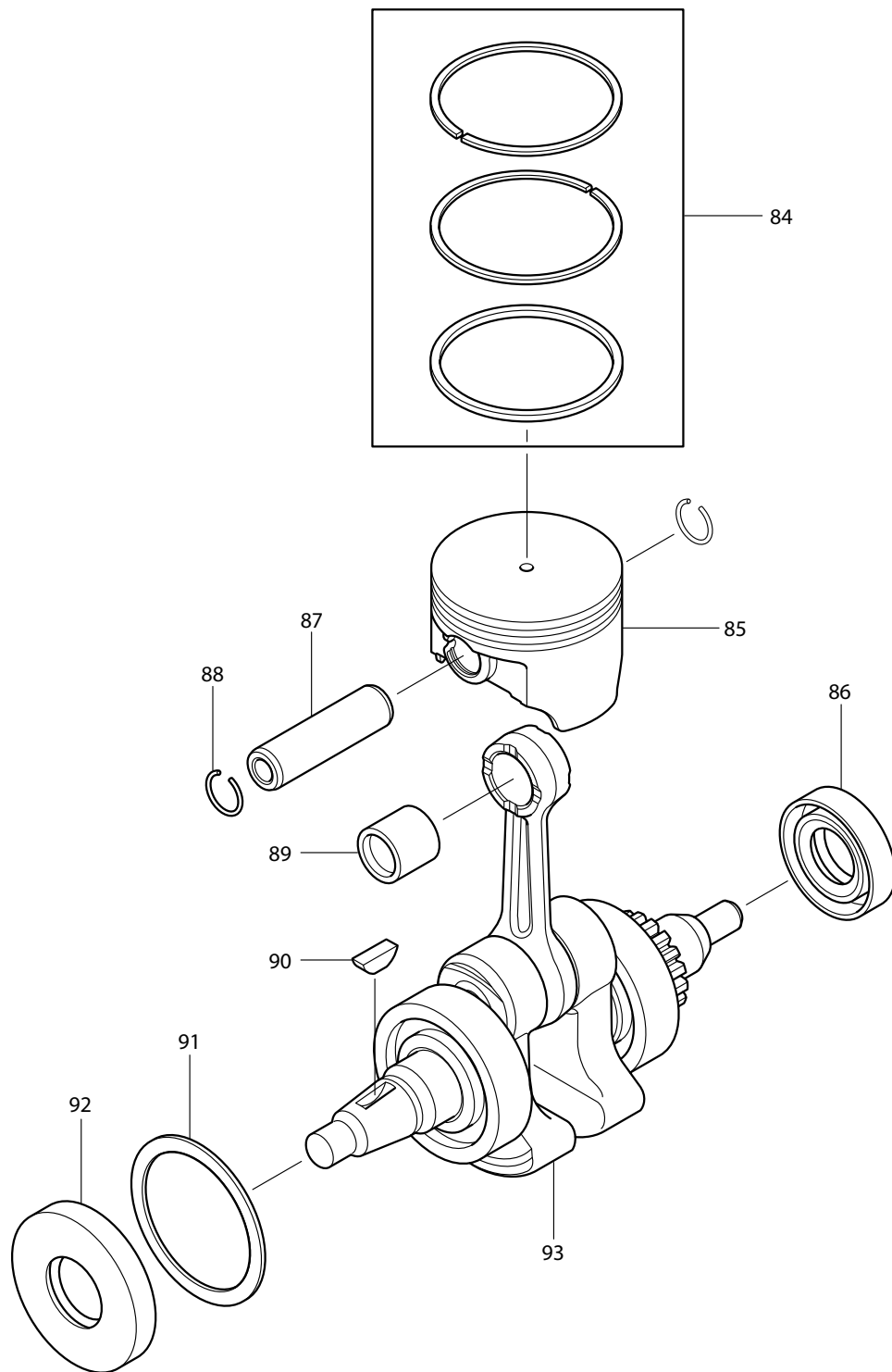
Section	Fig. No.	Part No.	Description	BBX7600N	PB-7602.4	Tech Bulletin	Notes
2	26	450964-2	PLUG COVER	1	1		
2	27	015-00598-00	TAPPING SCREW M5X18	4	4		
2	28	667-65001-00	OIL GUARD	1	1		
2	30	141521-4	ENGINE COVER, BLUE MAKITA	1			Makita
2	30	141984-4	ENGINE COVER, RED DOLMAR		1		Dolmar
2	46	197095-3	CONTROL LEVER ASS'Y, BBX7600	1		A5944	
2	46	126137-6	CONTROL LEVER ASS'Y, BBX7600	1	1	Y06308	
2	46	667-50010-02	CONTROL LEVER ASSY	1	1		
2	47	922317-0	H.S.H. BOLT M6X14	1	1	Y06308	
2	47	667-50010-10	SOCKET HEAD BOLT M6X20	1	1		
2	48	003-22060-00	WAVE WASHER	1	1		
2	49	003-11060-00	WASHER	1	1		
2	50	453717-8	THROTTLE LEVER 2, BBX7600	1	1	Y06308	
2	50	662-55007-01	THROTTLE LEVER 2	1	1		
2	51	931302-2	HEX NUT M6	1	1	Y06308	
2	51	017-00699-60	NUT	1	1		
2	52	453716-0	THROTTLE LEVER 1, BBX7600	1	1		
2	52	662-55006-01	THROTTLE LEVER 1	1	1		
2	53	233602-9	TORSION SPRING 9, BBX7600	1	1		
2	53	662-55009-01	TORSION SPRING	1	1		
2	54	911242-0	PAN HEAD SCREW M5X25	1	1	Y06308	
2	54	667-50010-30	SCREW M5X25	1	1		
2	55	168745-7	SWITCH CPL	1	1	Y06308	
2	55	667-50040-00	SWITCH COMPL	1	1		
2	56	667-50010-20	TAPPING SCREW 4X16	5	5		
2	57	252103-8	HEX LOCK NUT M5-8	1	1	A5944	
2	57	931202-6	NUT M5	1	1	Y06308	
2	57	017-00599-50	NUT M5	1	1		
2	58	453715-2	CABLE TUBE	1	1	Y06308	
2	58	667-55000-01	CABLE TUBE	1	1		
2	59	168744-9	CONTROL CABLE, BBX7600	1	1	Y06308	
2	59	063-01398-20	CONTROL CABLE	1	1		
2	190	443174-8	INSULATION LABEL A	1	1		
2	191	443175-6	INSULATION LABEL B	1	1		
2	192	443176-4	INSULATION LABEL C	1	1		





Products with multiple versions are listed in subsiding order with the newest version on top not indented.

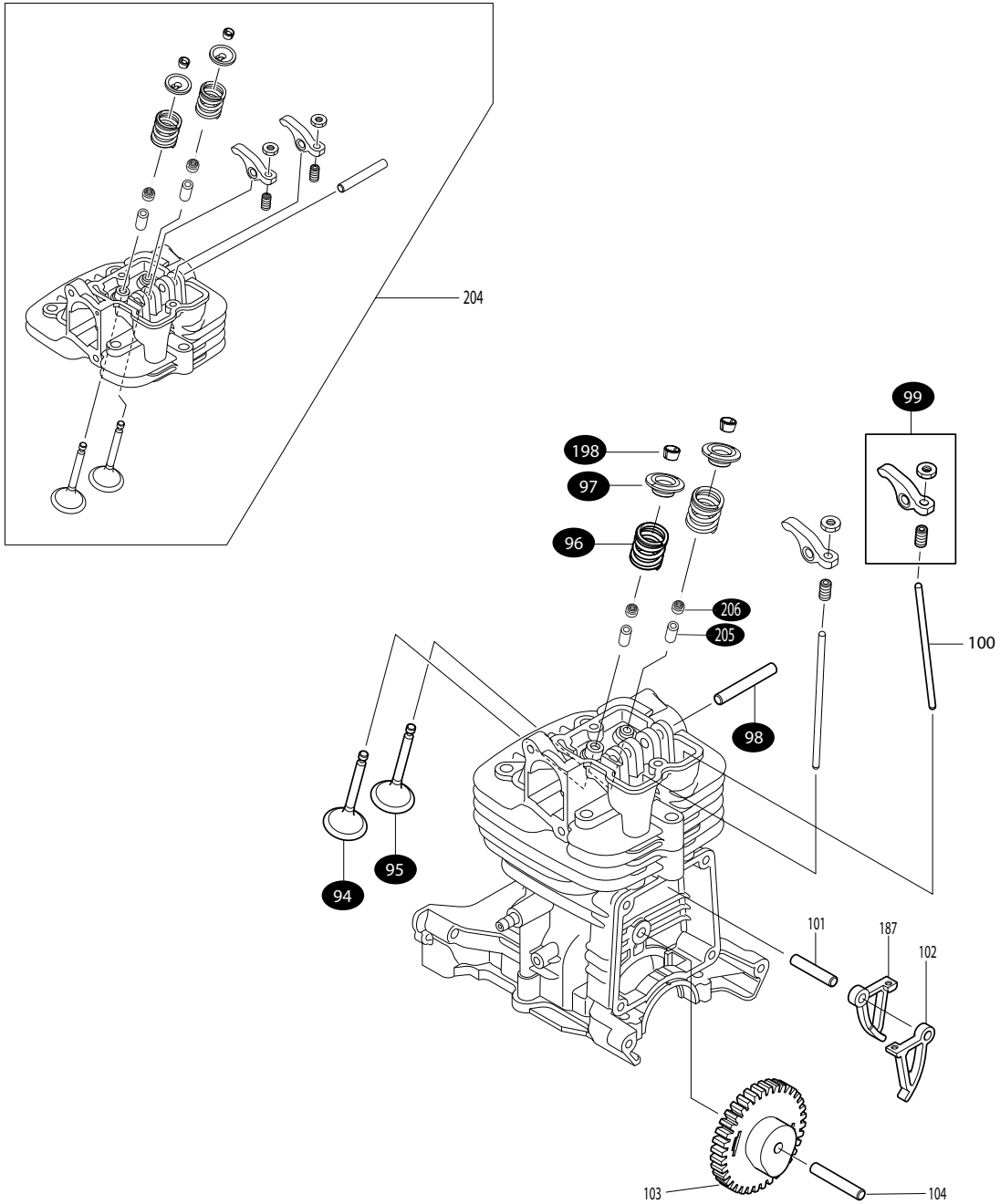
Section	Fig. No.	Part No.	Description	BBX7600N	PB-7602.4	Tech Bulletin	Notes
3	60	911253-5	P.H. SCREW M5X30	2	2		
3	61	141771-1	ROCKER COVER, BBX7600	1	1		
3	61	597-15007-01	ROCKER COVER COMPLETE	1	1		
3	61	597-15007-00	ROCKER COVER COMPLETE	1	1		
3	62	597-15009-00	ROCKER COVER GASKET	1	1		
3	63	142771-4	CYLINDER HEAD CPL., BBX7600	1	1		
3	63	142381-7	CYLINDER HEAD CPL., BBX7600	1	1	SN19	
3	63	597-10030-02	CYLINDER HEAD COMPL	1	1		Type 2
3	63	597-10030-01	CYLINDER HEAD COMPL	1	1		Type 1
3	64	442167-2	CYLINDER HEAD GASKET	1	1		
3	65	168401-9	SPARK PLUG	1	1		
3	66	011-90696-70	SOCKET HEAD BOLT M6X35	5	5		
3	67	597-10070-01	CYLINDER BLOCK SET	1	1		
3	68	424201-0	CHECK VALVE	2	2		
3	69	922352-8	HEX. SOCKET HEAD BOLT M6X30	6	6		
3	69	011-90699-30	HEX. SOCKET HEAD BOLT M6X30	6	6		
3	70	442168-0	CAM GEAR GASKET	1	1		
3	71	318725-5	CAM GEAR COVER	1	1		
3	72	266813-1	H.S.H.BOLT M5X16 WITH WR	4	4		
3	73	667-60050-00	OIL CAP ASSY	1	1		
3	74	021-32299-80	GASKET	1	1		
3	75	346083-9	LEAD VALVE	1	1		
3	76	593-15013-00	RETAINER PLATE	1	1		
3	77	011-90499-80	SOCKET HEAD BOLT M4X10	1	1		
3	78	597-65001-00	OIL CASE GASKET	1	1		
3	79	597-65000-00	OIL CASE	1	1		
3	80	003-70080-00	ALUMINUM GASKET	1	1		
3	81	266916-1	BOLT M8X12	1	1		
3	81	001-66081-20	BOLT M8X12	1	1		
3	82	011-90593-90	SOCKET HEAD BOLT M5X25	5	5		
3	83	085-11099-60	TUBE	1	1		
3	199	331937-3	EXHAUST PORT SPACER	1	1		



Products with multiple versions are listed in subsiding order with the newest version on top not indented.

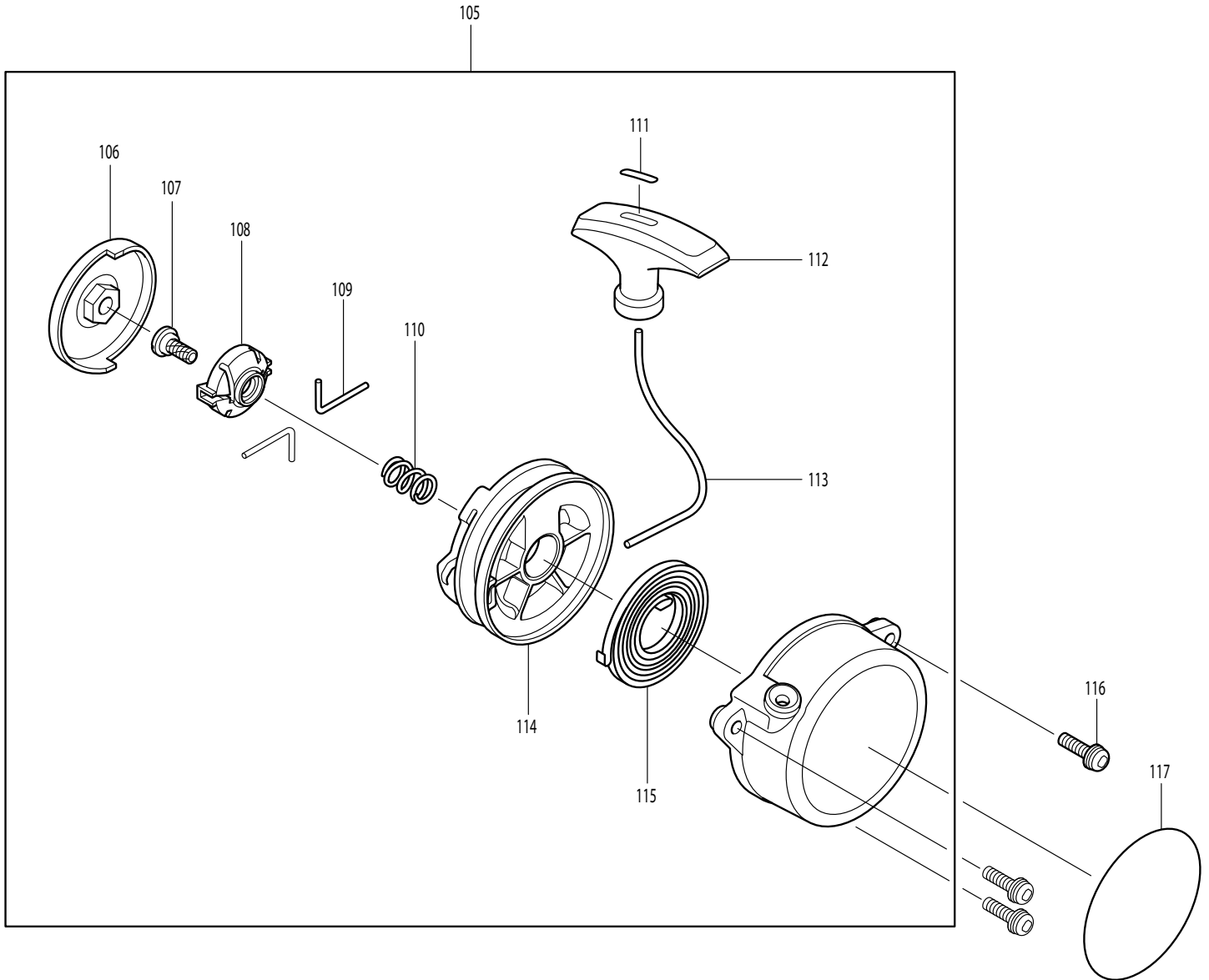
Section	Fig. No.	Part No.	Description	BBX7600N	PB-7602.4	Tech Bulletin	Notes
4	84	597-20030-00	PISTON RING SET	1	1		
4	85	318726-3	PISTON	1	1		
4	86	213599-8	OIL SEAL(S)	1	1		
4	87	580-25007-02	PISTON PIN	1	1		
4	88	233995-4	RING SPRING 12	2	2		
4	89	061-01299-40	NEEDLE ROLLER BEARING	1	1		
4	90	032-30499-50	WOODRUFF KEY	1	1		
4	91	267448-1	FLAT WASHER 41	1	1		
4	92	213598-0	OIL SEAL(L)	1	1		
4	93	126576-0	CRANKSHAFT COMPL	1	1		
4	93	142205-7	CRANKSHAFT COMPL	1	1		
4	93	597-20020-02	CRANKSHAFT COMPL	1	1		

XXX Included in Head Assembly Fig No. 204



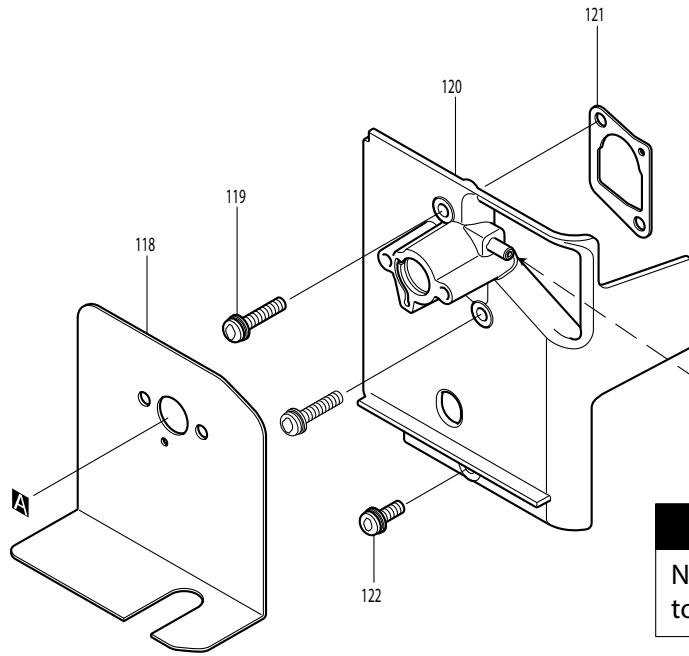
Products with multiple versions are listed in subsiding order with the newest version on top not indented.

Section	Fig. No.	Part No.	Description	BBX7600N	PB-7602.4	Tech Bulletin	Notes
5	94	331964-0	INTAKE VALVE	1	1		
5	95	331965-8	EXHAUST VALVE	1	1		
5	96	234212-5	COMPRESSION SPRING 11	2	2		
5	97	331966-6	RETAINER	2	2		
5	98	597-35005-01	SHAFT ROCKER ARM	1	1		
5	99	126005-3	ROCKER ARM ASSEMBLY	2	2		
5	100	256526-2	PUSH ROD	2	2		
5	101	256186-0	PIN 5	1	1		
5	101	597-35007-00	SHAFT	1	1		
5	102	313266-6	CAM LIFTER	1	1		
5	102	597-35006-01	CAM LIFTER	1	1		
5	103	597-30020-02	CAM GEAR ASSY, BBX7600	1	1		
5	103	597-30020-01	CAMGEAR ASSY	1	1		
5	104	256200-2	PIN 5	1	1		
5	187	597-35023-00	CAM LIFTER	1	1		
5	198	331967-4	COTTER	4	4		
5	204	135619-7	HEAD ASSEMBLY	1	1		
5	204	135600-8	HEAD ASSEMBLY	1	1		
5	205	313283-6	VALVE GUIDE	2	2		
5	206	424424-0	VALVE STEM SEAL	2	2		

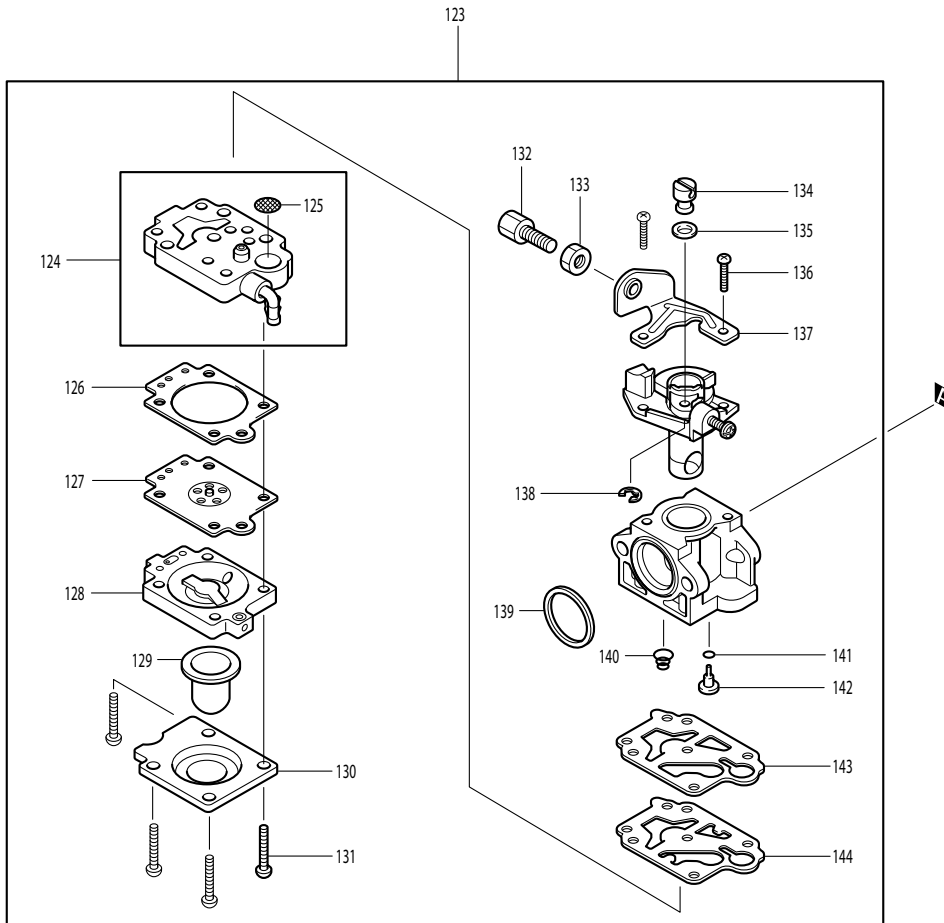


Products with multiple versions are listed in subsiding order with the newest version on top not indented.

Section	Fig. No.	Part No.	Description	BBX7600N	PB-7602.4	Tech Bulletin	Notes
6	105	597-50010-00	STARTER REWIND	1	1		
6	106	597-55000-00	PULLEY	1	1		
6	107	266585-8	TAPPING SCREW 5X12	1	1		
6	108	597-50020-40	COLLAR	1	1		
6	109	326200-7	SWING ARM	2	2		
6	109	597-50020-50	SWING ARM	2	2		
6	110	597-50020-30	FRICTION SPRING	1	1		
6	111	424360-0	ROPE STOPPER	1	1		
6	112	530-50021-10	STARTER KNOB	1	1		
6	113	444043-6	STARTER ROPE	1	1		
6	113	597-50021-10	STARTER ROPE	1	1		
6	114	441075-4	REEL	1	1		
6	114	597-50020-20	REEL	1	1		
6	115	232262-4	SPIRAL SPRING	1	1		
6	116	266788-4	PAN HEAD SCREW M5X20 WITH WR, BBX7600	3	3		
6	114	667-95007-03	MODEL LABEL MAKITA	1			
6	117	667-95007-02	MODEL LABEL	1			
6	117	804A33-1	MODEL LABEL DOLMAR		1		

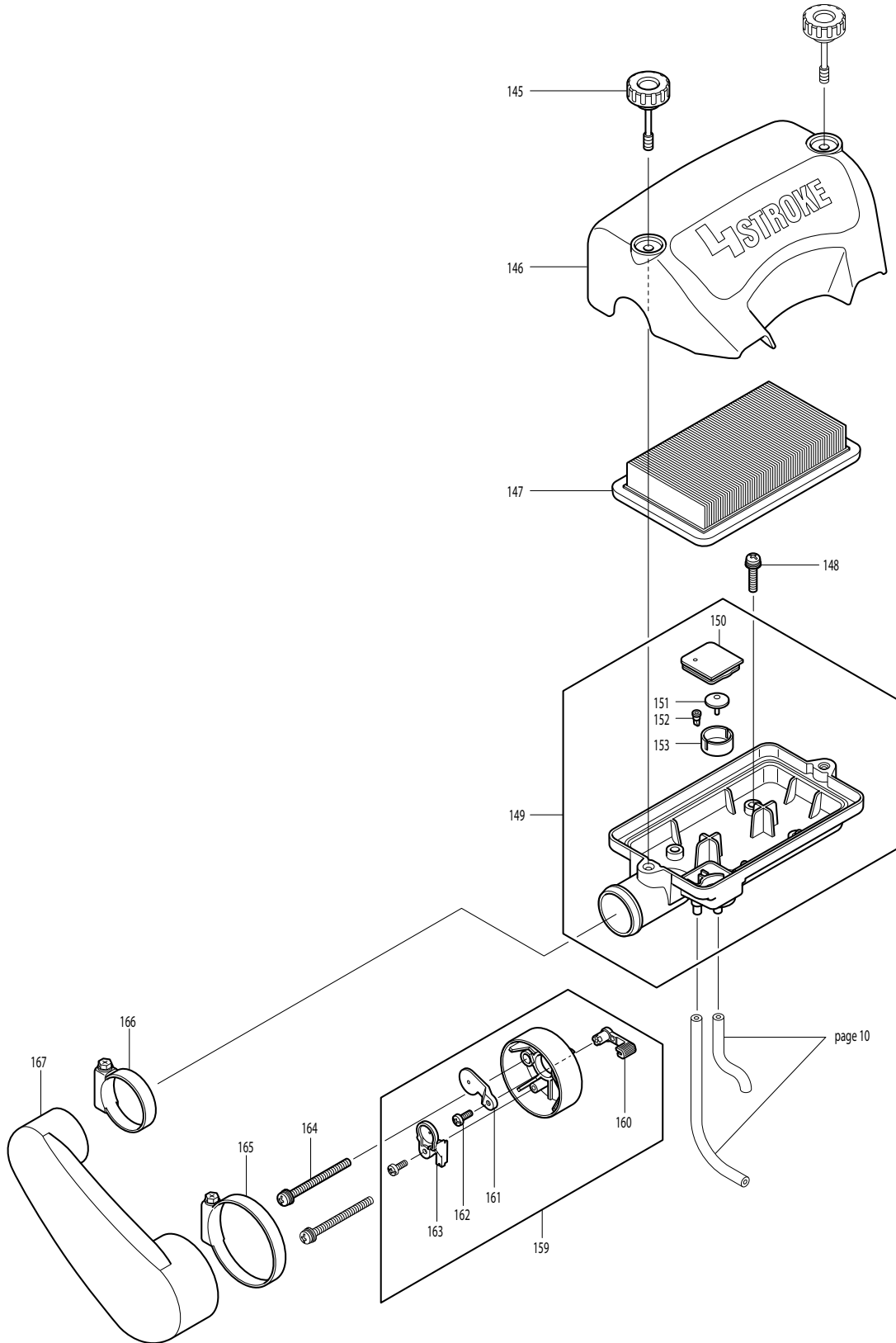


TYPE 2 Cylinder Head
 NOTICE: Do not connect tube to port on insulator.



Products with multiple versions are listed in subsiding order with the newest version on top not indented.

Section	Fig. No.	Part No.	Description	BBX7600N	PB-7602.4	Tech Bulletin	Notes
7	118	597-35012-00	CARBURETOR GASKET	1	1		
7	119	266749-4	S.H. BOLT M5X25, BBX7600	2	2		
7	119	011-90596-40	HEX. S.H.B. M5X25 WITH WR	2	2		
7	120	453858-0	INSULATOR , BBX7600	1	1		
7	120	597-30090-01	INSULATOR COMPL	1	1		
7	121	162333-2	INSULATOR GASKET	1	1		
7	122	922218-2	SOCKET HEAD BOLT M5X14 (W,SW)	1	1		
7	123	597-60010-00	CARBURETOR	1	1		
7	124	597-60010-10	PUMP BODY ASSY	1	1		
7	125	352010-6	INLET SCREEN	1	1		
7	126	442154-1	METERING DIAPHRAGM GASKET	1	1		
7	127	168574-8	METERING DIAPHRAGM	1	1		
7	128	140438-8	AIR PURGE BODY	1	1		
7	129	424314-7	PRIMER PUMP	1	1		
7	130	346270-0	PRIMER PUMP COVER	1	1		
7	131	266582-4	TAPPING SCREW 3X24	4	4		
7	132	266795-7	ADJUST SCREW	1	1		
7	133	264065-8	CABLE ADJUST NUT M6	1	1		
7	134	325922-6	SWIVEL	1	1		
7	135	413140-9	WASHER	1	1		
7	136	266704-6	PAN HEAD SCREW M3X10	2	2		
7	137	523-60520-20	BRACKET CABLE	1	1		
7	138	257964-1	STOP RING E-3	1	1		
7	139	424444-4	PACKING RING	1	1		
7	140	234183-6	CONICAL COMPRESSION SPRING 5-9	1	1		
7	141	213538-8	O RING 2	1	1		
7	142	597-60010-20	JET #60	1	1		
7	143	442155-9	PUMP GASKET	1	1		
7	144	168575-6	PUMP DIAPHRAGM	1	1		

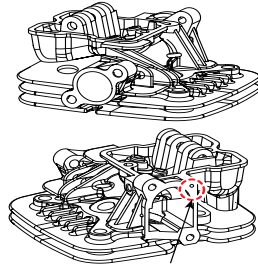


Products with multiple versions are listed in subsiding order with the newest version on top not indented.

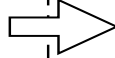
Section	Fig. No.	Part No.	Description	BBX7600N	PB-7602.4	Tech Bulletin	Notes
8	145	667-65012-00	KNOB BOLT M5X45	2	2		
8	146	667-60020-02	AIR CLEANER COVER	1	1		
8	147	667-65002-01	AIR CLEANER ELEMENT	1	1		
8	148	266494-1	+ PAN HEAD SCREW M5X16, BBX7600	4	4		
8	149	126377-6	AIR CLEANER CASE ASSY	1	1		
8	149	667-60030-02	AIR CLEANER CASE ASSY	1	1		
8	150	162358-6	SEPARATOR PLATE	1	1		
8	150	667-65013-00	SEPARATOR PLATE	1	1		
8	151	424315-5	CHECK VALVE	1	1		
8	152	424316-3	CHECK VALVE	1	1		
8	153	667-65005-00	CHECK VALVE PLATE	1	1		
8	159	597-30060-00	INTAKE CASE ASSY	1	1		
8	160	597-35018-00	CHOKE LEVER	1	1		
8	161	597-35017-00	CHOKE PLATE	1	1		
8	162	597-30060-10	TAPPING SCREW 4X12	2	2		
8	163	597-35019-00	INTAKE PLATE	1	1		
8	164	911288-6	SCREW ASS'Y M5X65	2	2		
8	165	056-16799-90	HOSE CLAMP	1	1		
8	166	056-14399-90	HOSE CLAMP	1	1		
8	167	667-65004-00	AIR CLEANER DUCT	1	1		

Reference Service Note
SN19

TYPE 1

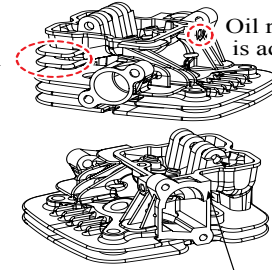


Oil return passage here.



modified

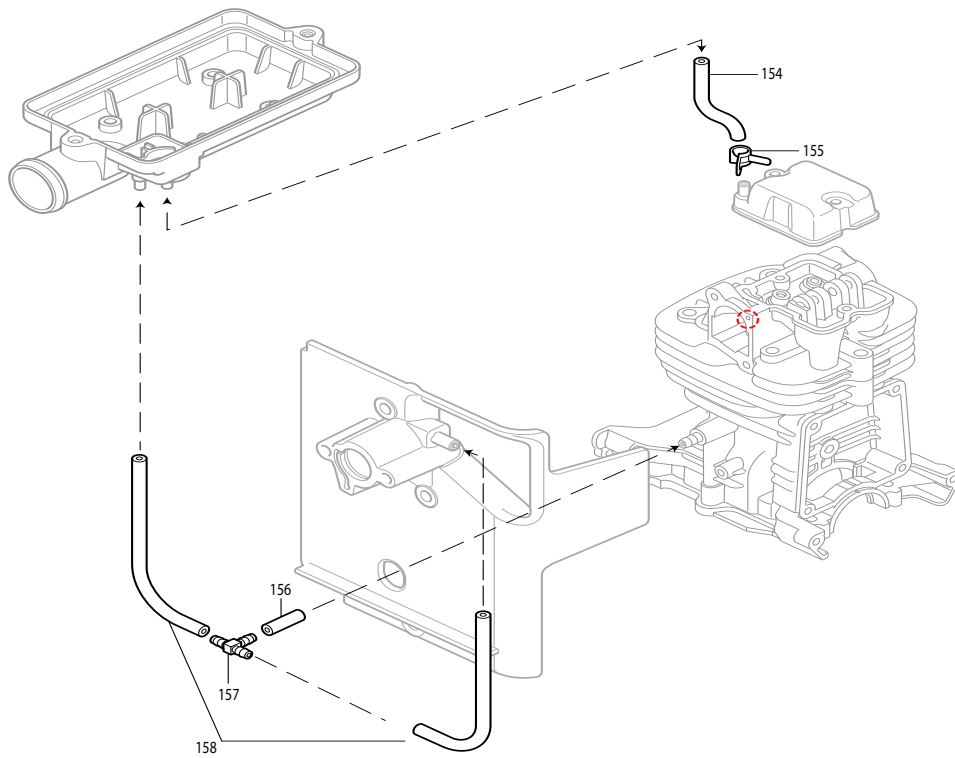
TYPE 2 (Page 11)



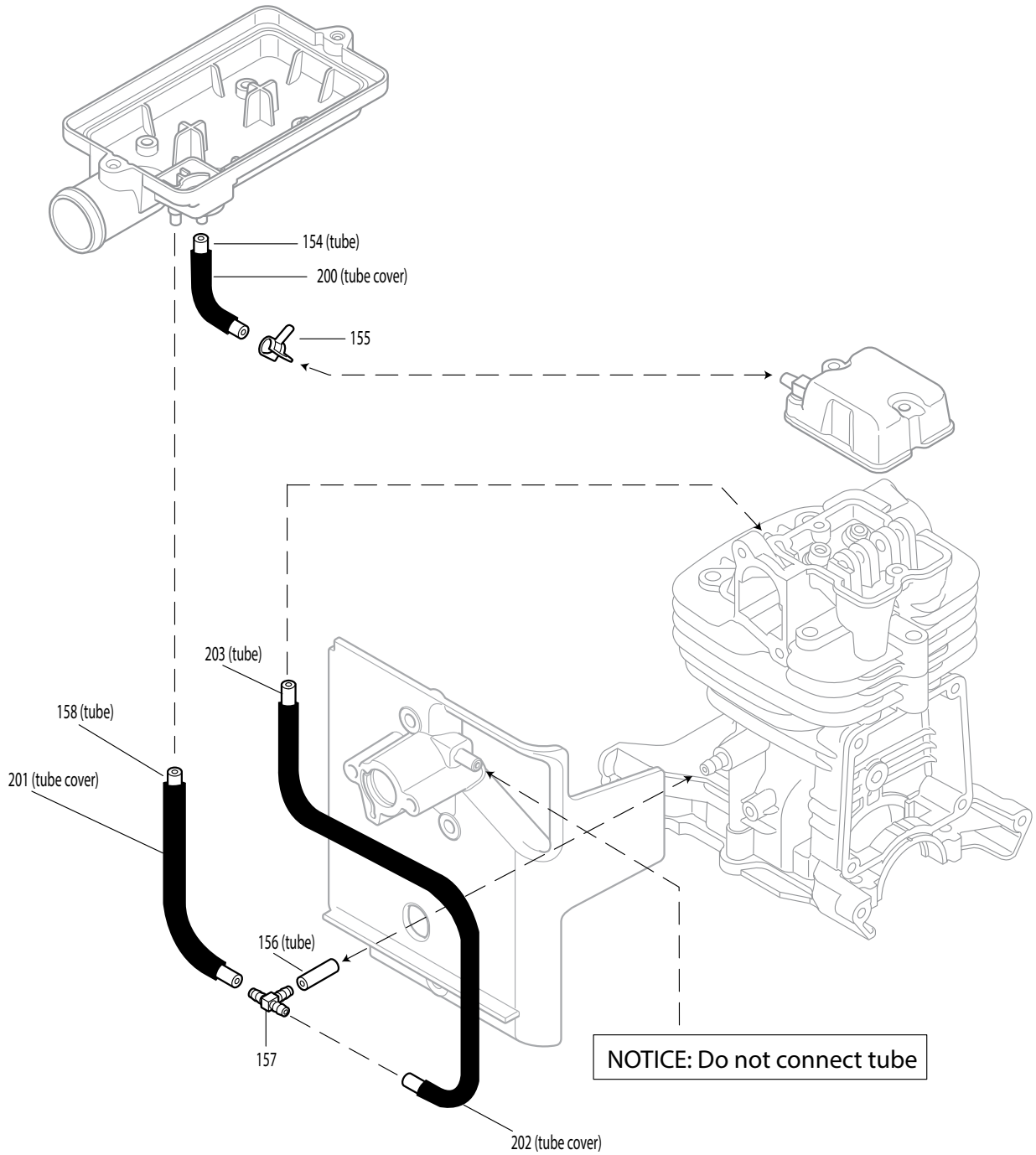
Oil return passage is added here.

Oil return passage is eliminated.

TYPE 1 - OIL TUBE ASSEMBLY

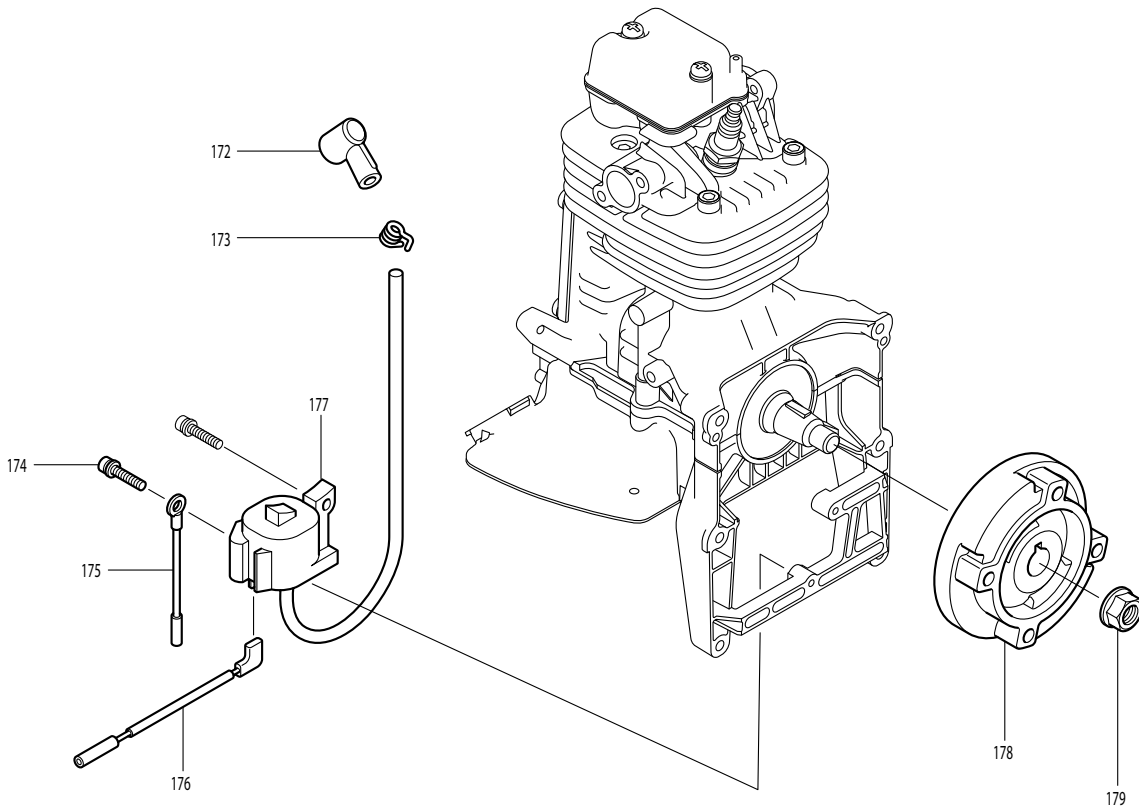
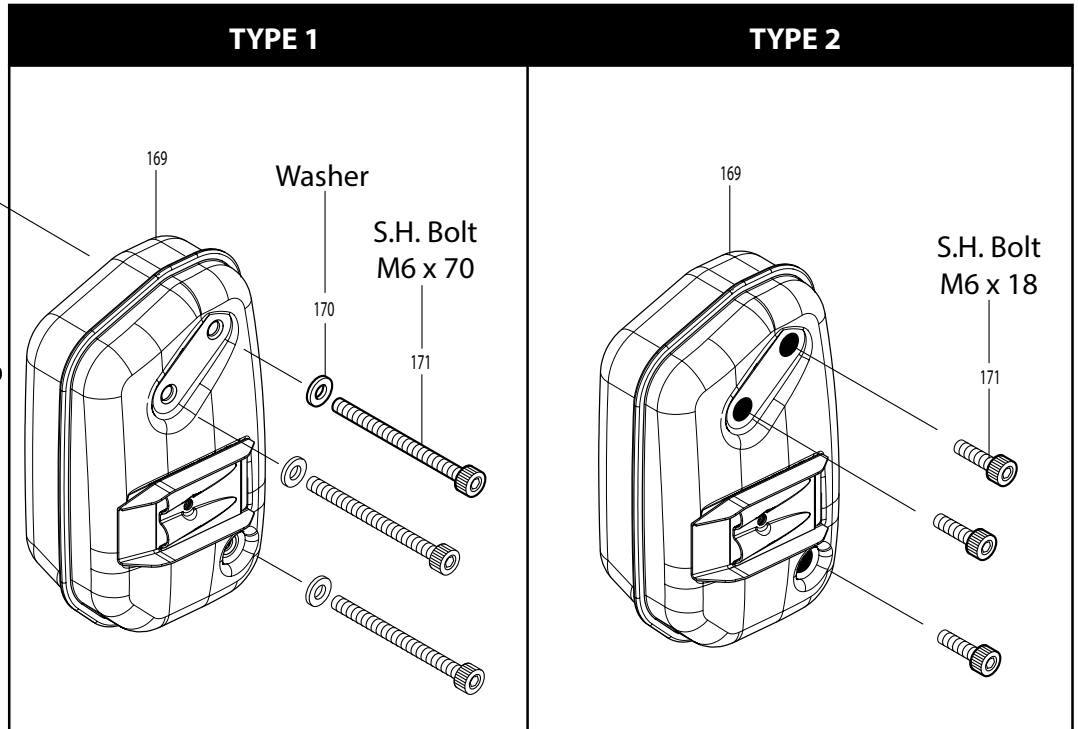
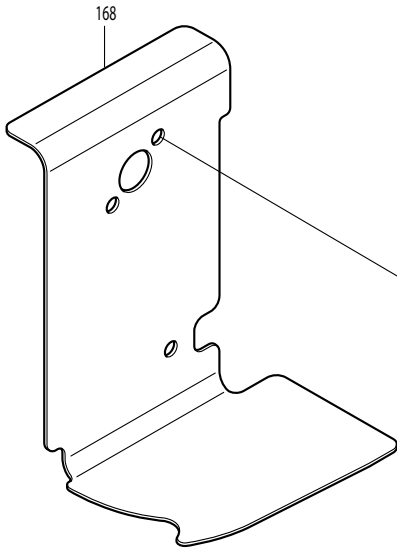


TYPE 2 - OIL TUBE ASSEMBLY



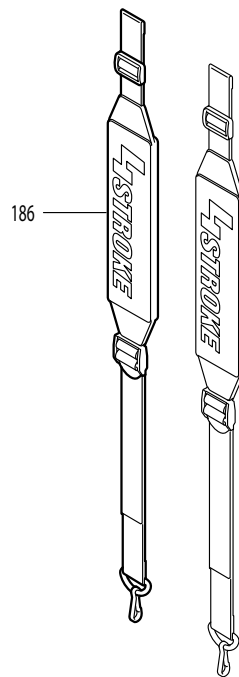
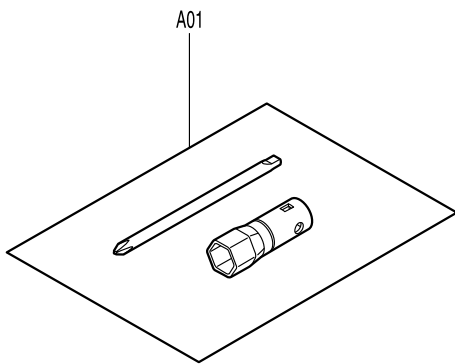
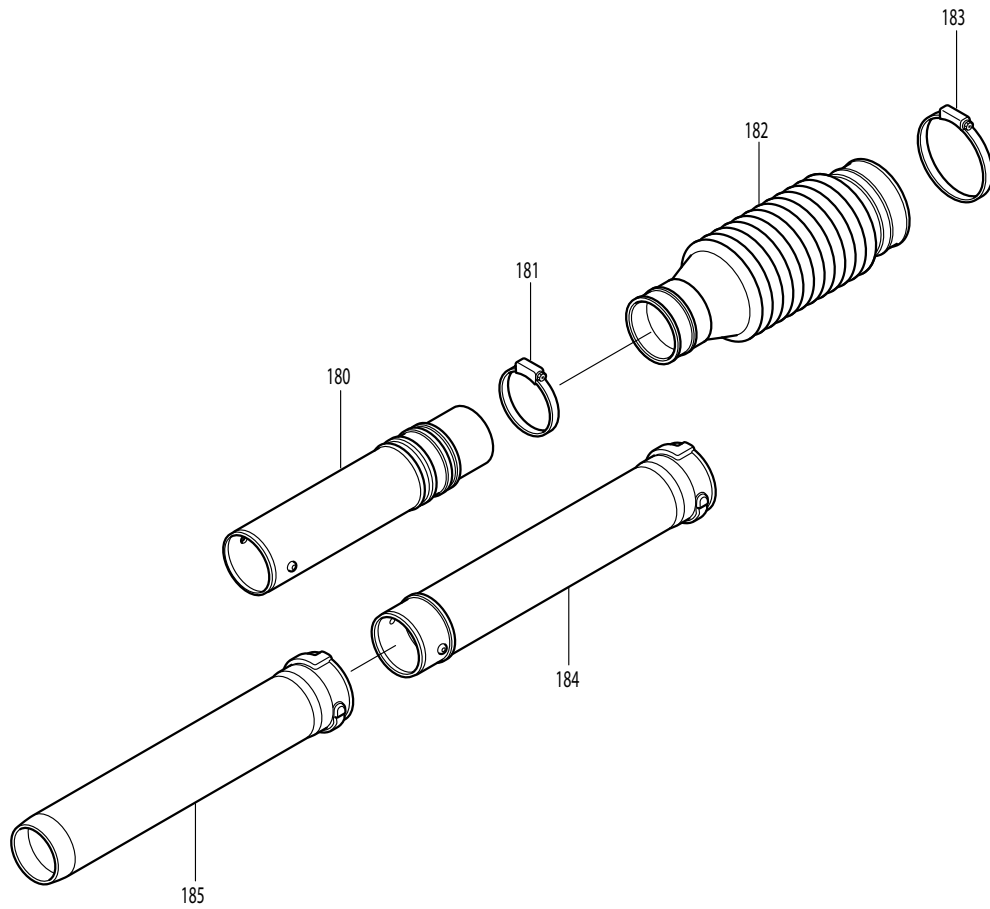
Products with multiple versions are listed in subsiding order with the newest version on top not indented.

Section	Fig. No.	Part No.	Description	BBX7600N	PB-7602.4	Tech Bulletin	Notes
9	154	412129-4	TUBE 3-105, BBX7600	1	1		
9	154	085-11399-20	TUBE 3-105	1	1		
9	155	282027-4	HOSE CLAMP 6, BBX7600	1	1		
9	155	346454-0	HOSE CLAMP, BBX7600	1	1		
9	155	056-10799-90	HOSE CLAMP 6	1	1		
9	156	422096-5	TUBE 3-25	1	1		
9	157	452952-5	HOSE JOINT	1	1		
9	158	085-11999-60	TUBE 3-190	1	1		
9	200	412130-9	TUBE COVER 10-50	1	1		
9	201	412127-8	TUBE COVER 10-170	1	1		
9	202	412124-4	TUBE COVER 10-220	1	1		
9	203	412122-8	TUBE 3-240	1	1		



Products with multiple versions are listed in subsiding order with the newest version on top not indented.

Section	Fig. No.	Part No.	Description	BBX7600N	PB-7602.4	Tech Bulletin	Notes
10	168	597-35013-02	MUFFLER GASKET	1	1		
10	168	597-35013-01	MUFFLER GASKET	1	1		
10	169	597-30010-03	MUFFLER EXHAUST	1	1		Type 2
10	169	597-30010-02	EXHAUST MUFFLER, BBX7600	1	1		Type 1
10	170	020-00698-90	WASHER, BBX7600	3	3		w/ Type 1 muffler only
10	171	266771-1	SOCKET HEAD BOLT M6X18, BBX7600	3	3		w/ Type 2 muffler
10	171	011-90696-50	S.H. BOLT M6X70, BBX7600	3	3		w/ Type 1 muffler
10	172	424105-6	PLUG CAP	1	1		
10	173	324891-8	PLUG CAP SPRING	1	1		
10	174	011-90499-70	SOCKET HEAD BOLT M4X20	2	2		
10	175	638784-6	WIRE	1	1		
10	176	638710-5	LEAD WIRE	1	1		
10	177	597-70010-10	IGNITION COIL	1	1		
10	178	597-70010-20	FLYWHEEL COMPL	1	1		
10	179	264054-3	FLANGE NUT M10	1	1		



Products with multiple versions are listed in subsiding order with the newest version on top not indented.

Section	Fig. No.	Part No.	Description	BBX7600N	PB-7602.4	Tech Bulletin	Notes
11	180	168746-5	SWIVEL PIPE COMPL	1	1		
11	180	667-90020-00	SWIVEL PIPE COMPL	1	1		
11	181	056-17699-90	HOSE CLAMP	1	1		
11	182	412115-5	FLEXIBLE PIPE	1	1		
11	182	667-95000-00	FLEXIBLE PIPE	1	1		
11	183	056-10099-90	HOSE CLAMP	1	1		
11	184	455633-0	STRAIGHT PIPE	1	1		
11	184	667-95018-01	STRAIGHT PIPE	1	1		
11	185	455632-2	END PIPE	1	1		
11	185	667-95019-00	END PIPE	1	1		
11	186	667-90010-00	BAND COMPL	2	2		
11	A01	194717-6	BOX WRENCH SET	1	1		
11	A01	690-90590-00	BOX WRENCH SET	1	1		
11	A02	455634-8	FLAT PIPE	0	0		
11	A03	455631-4	END PIPE 200	0	0		