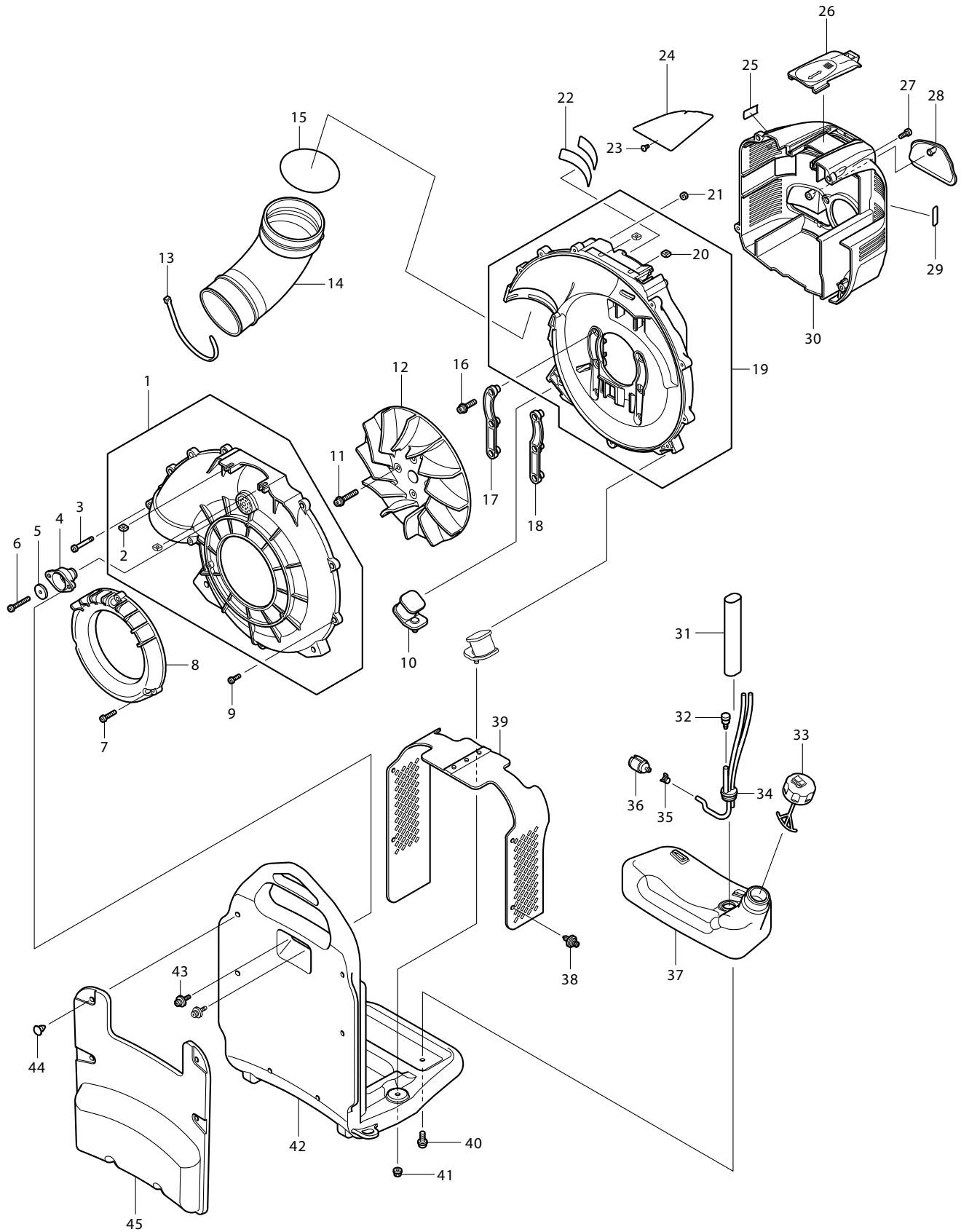
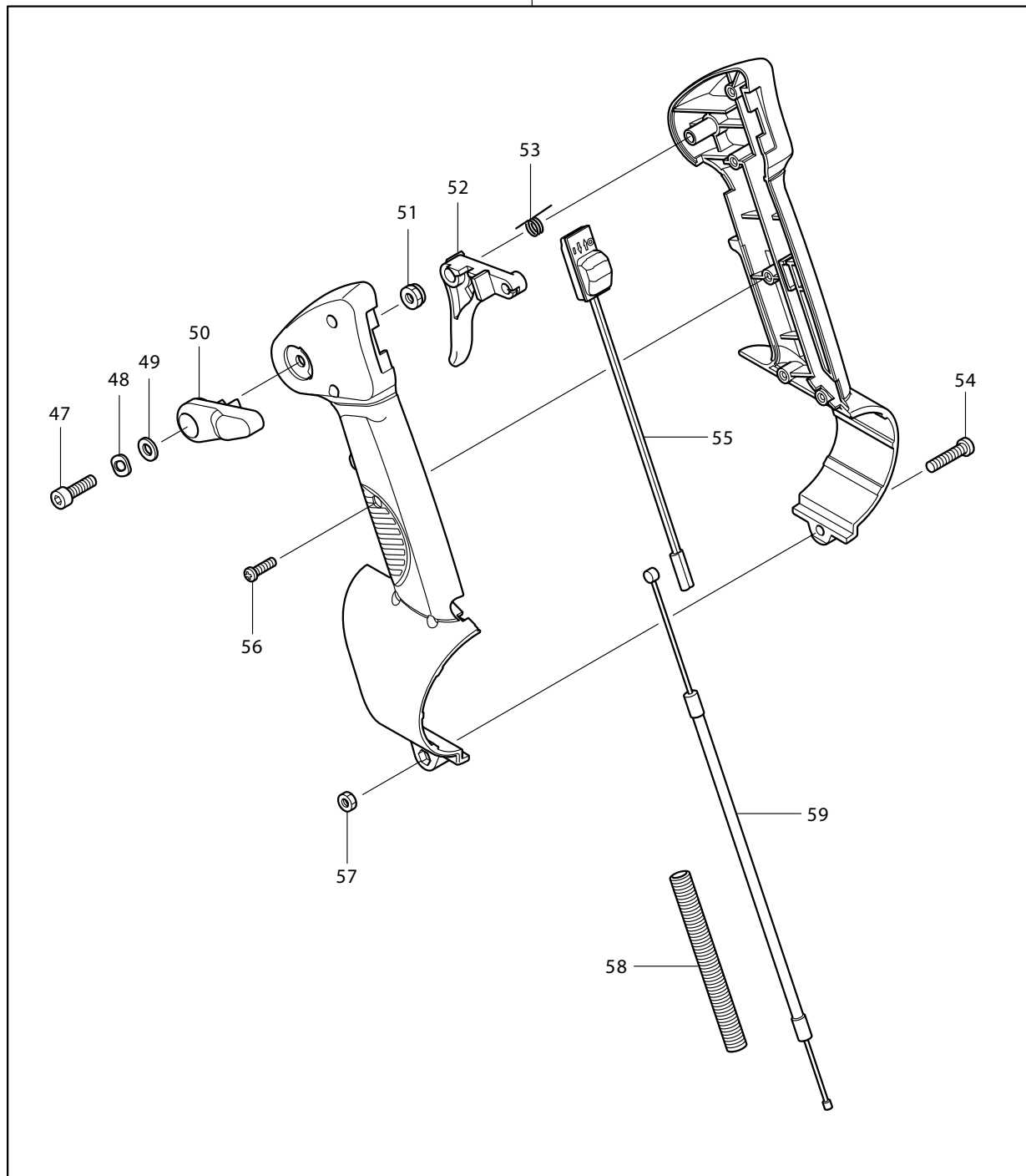


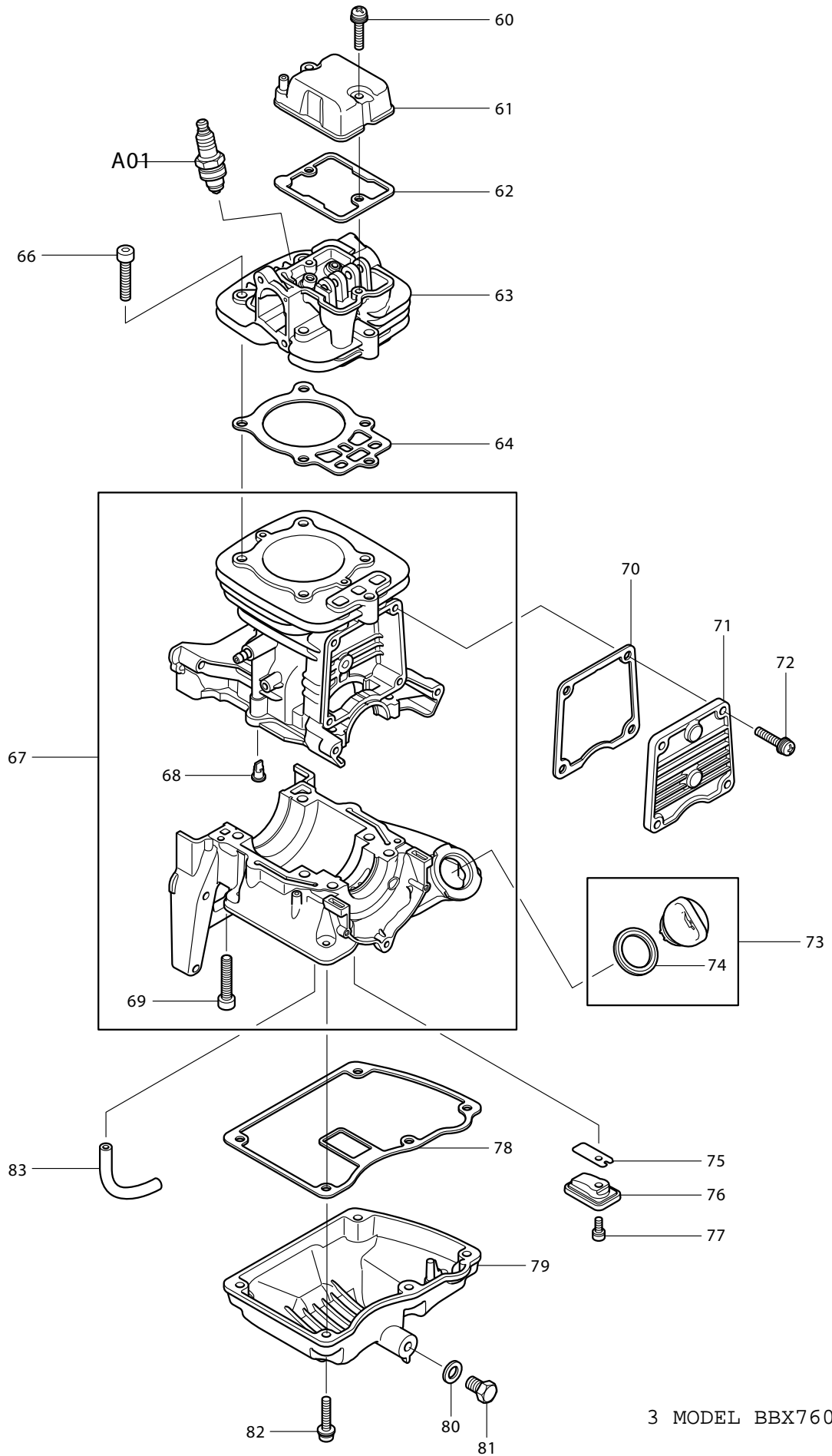


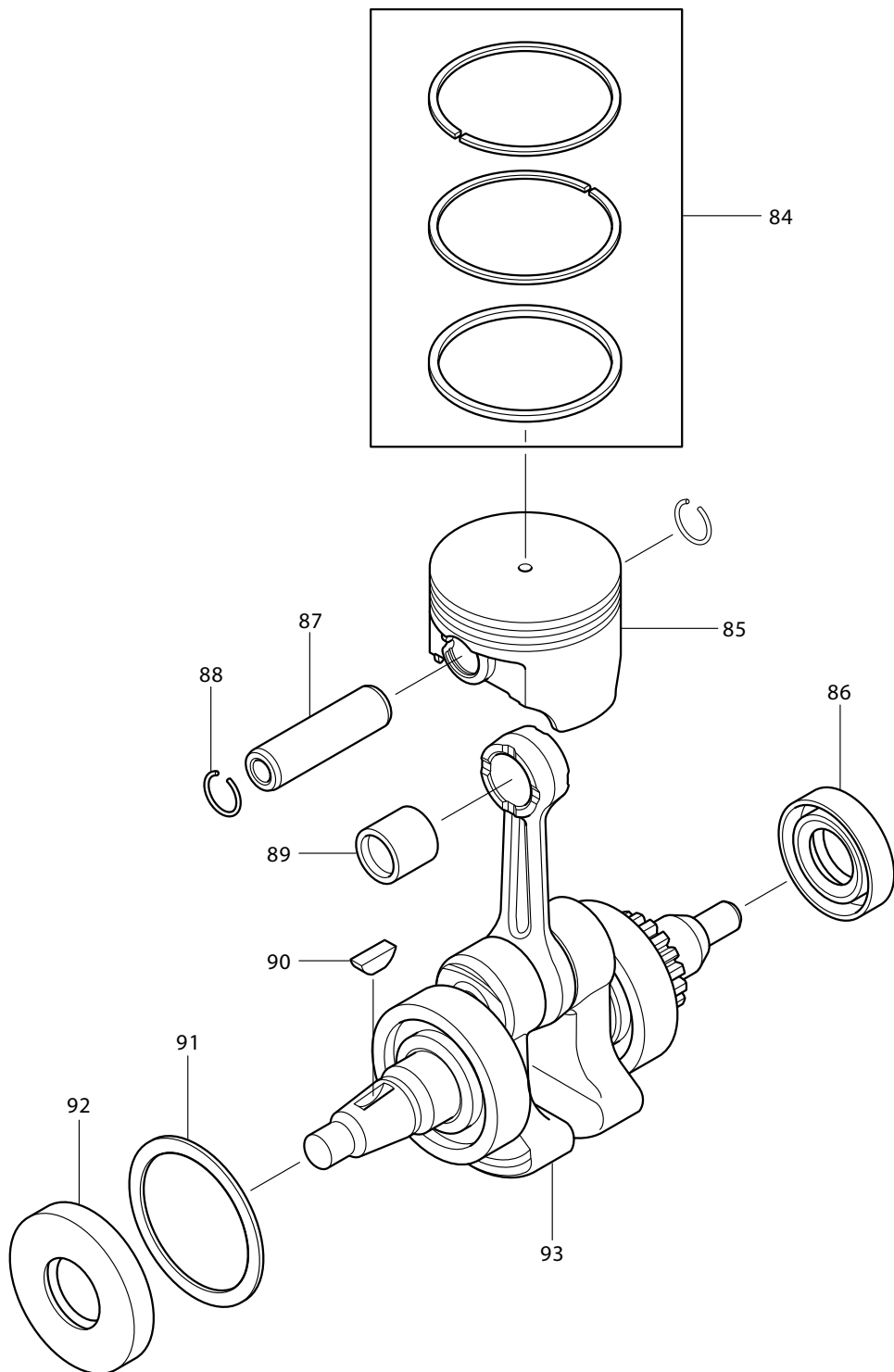
08 - 2010
BBX7600 / BBX7600CA
76CC BLOWER

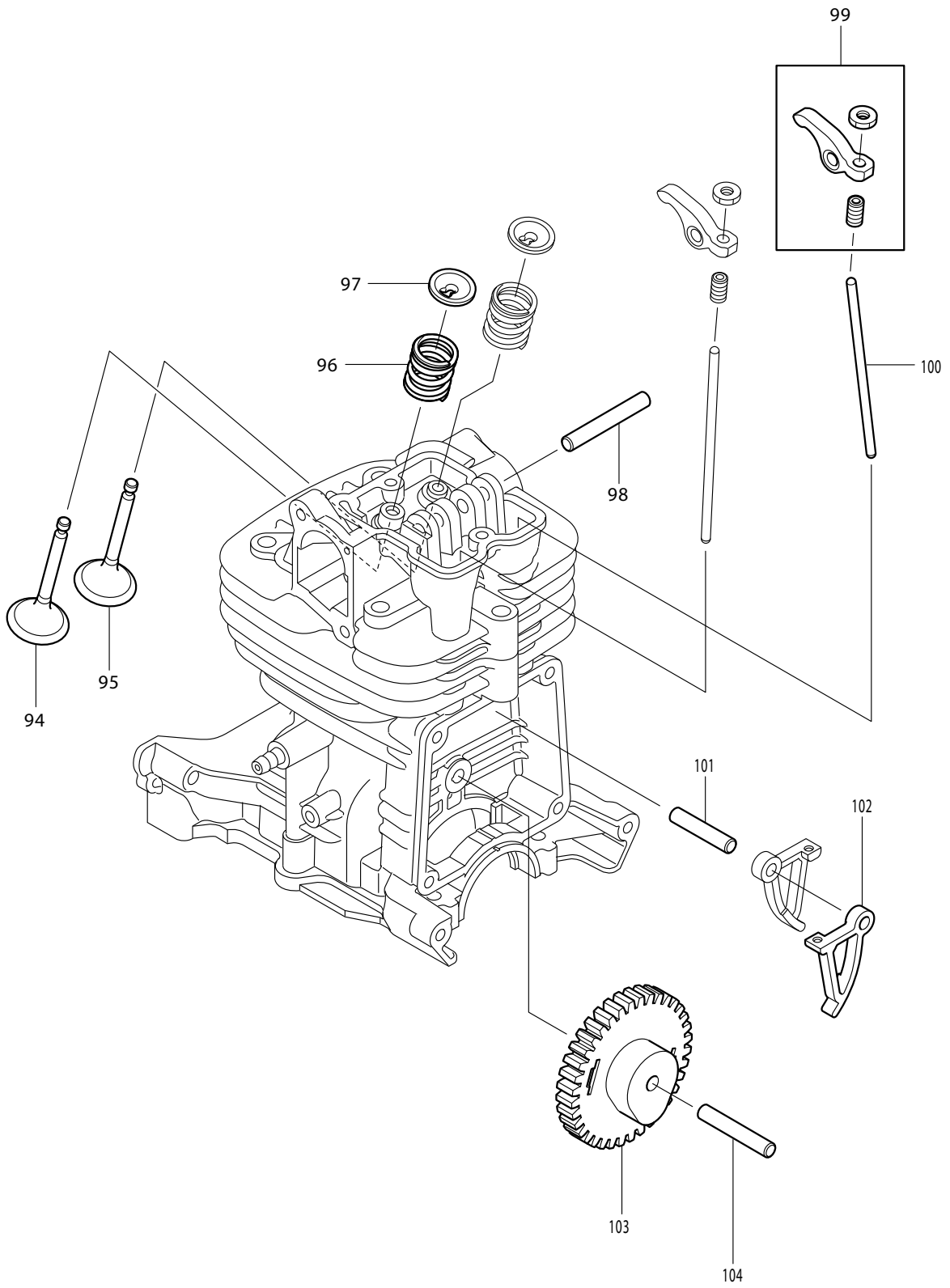


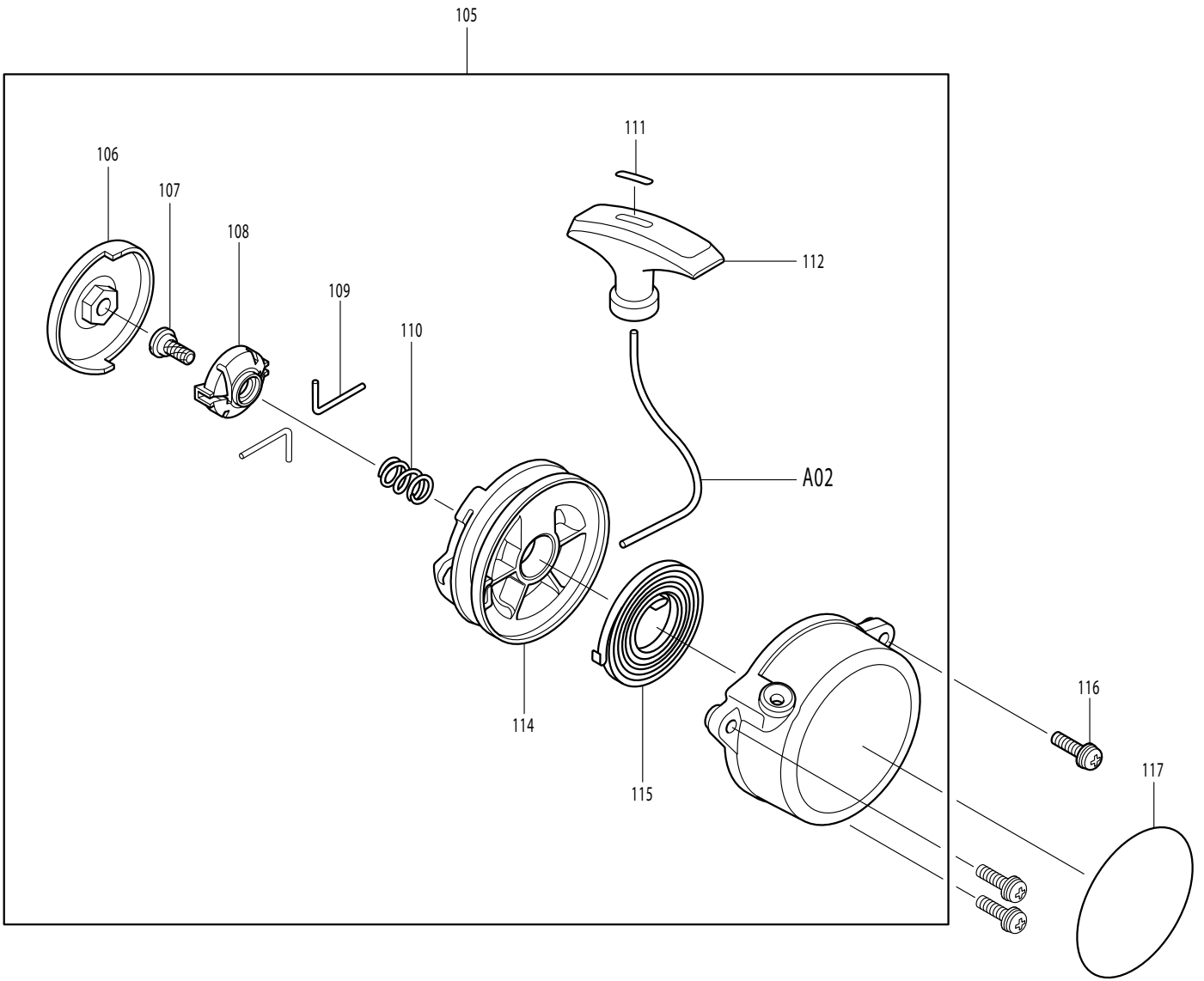
46

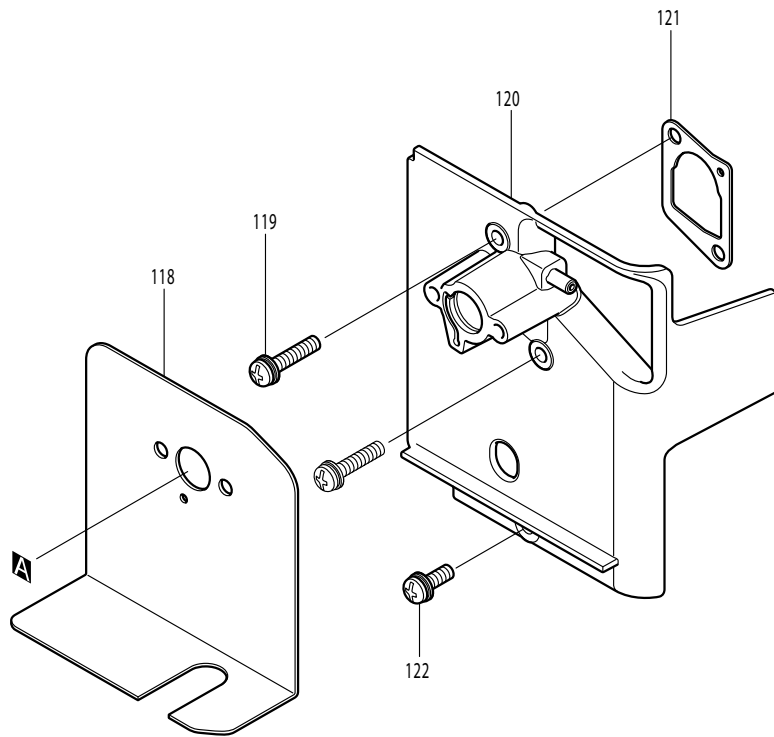




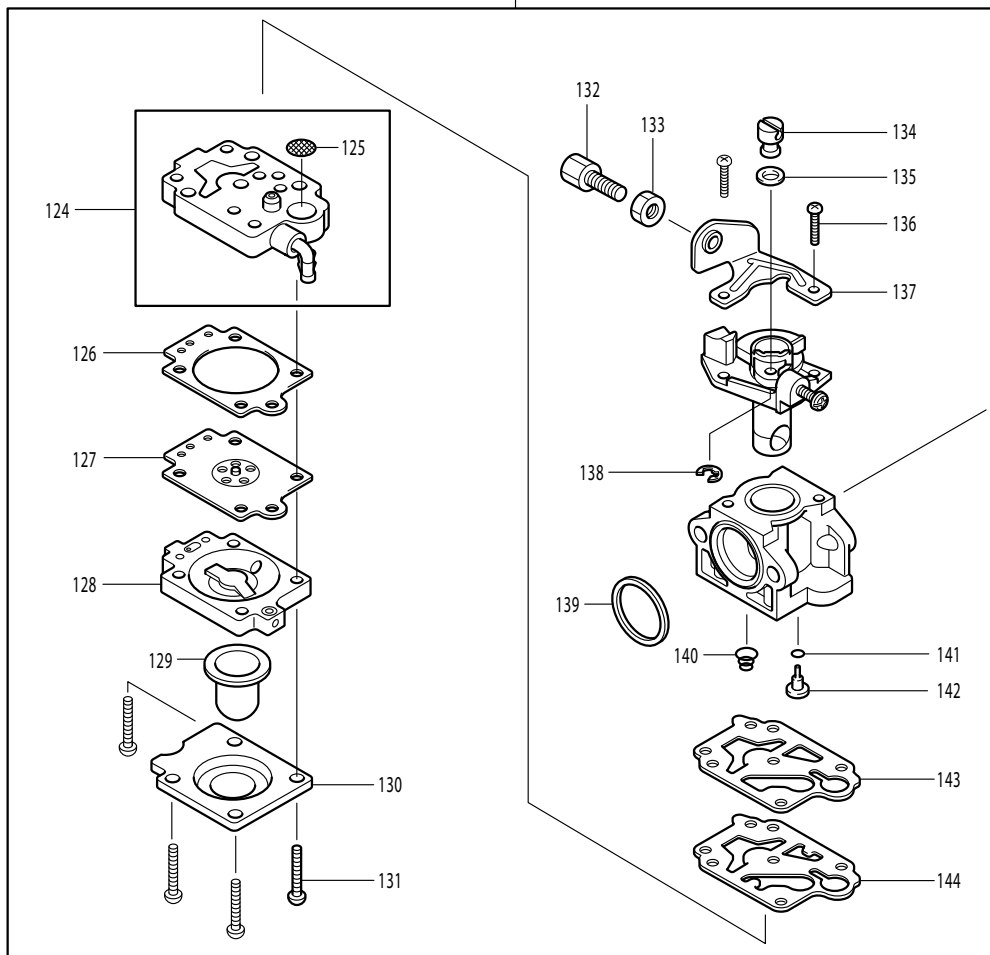


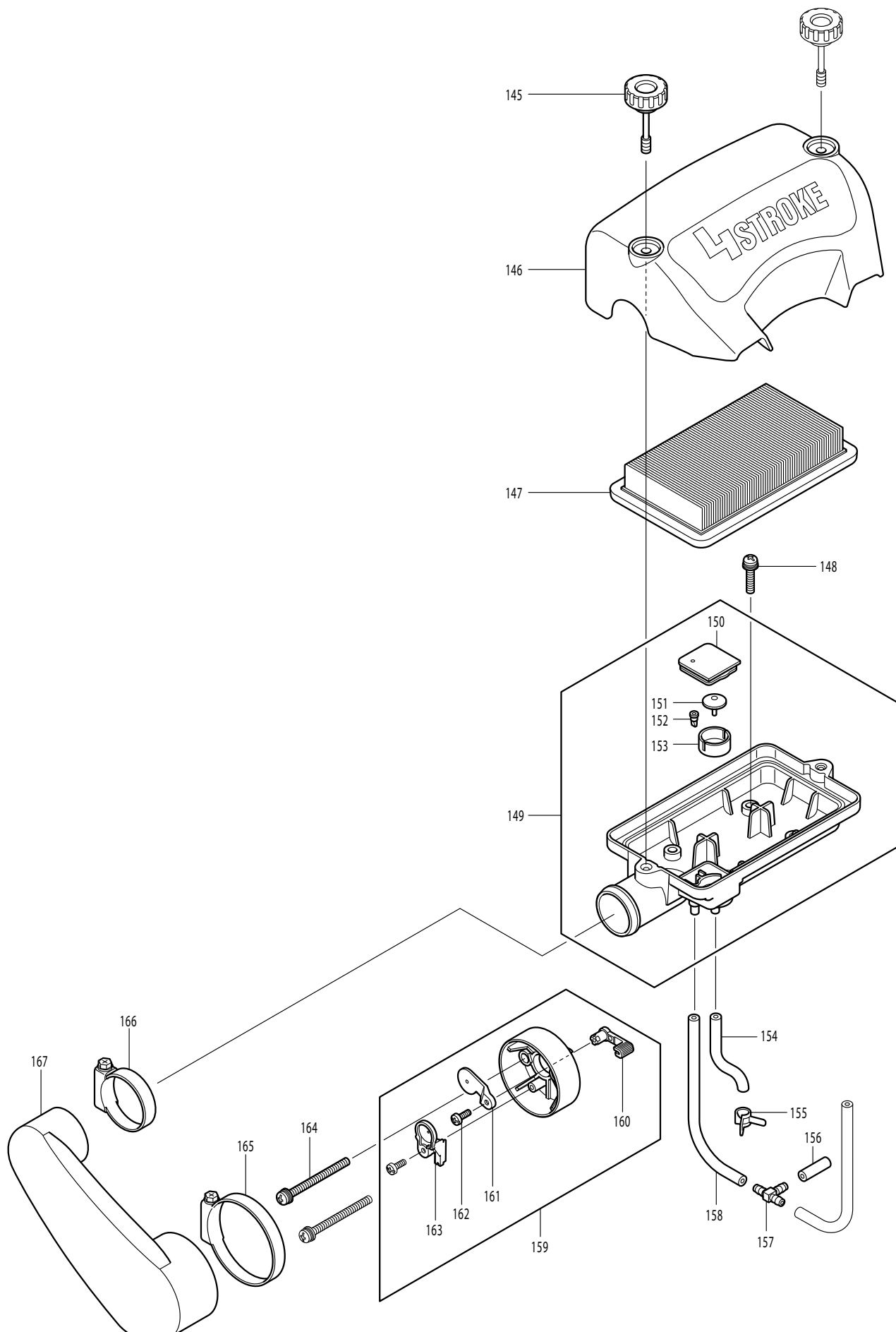


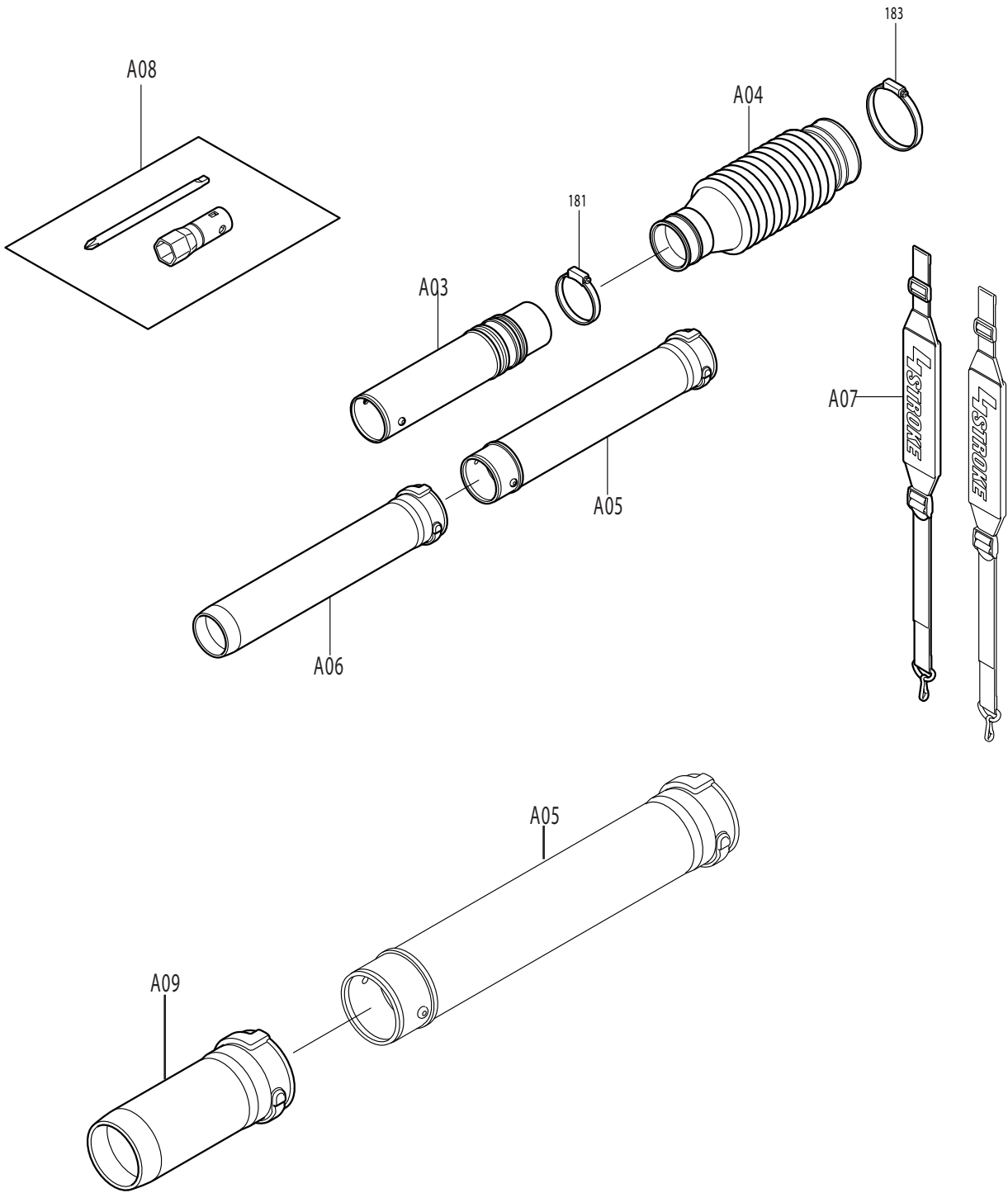




123







Item	Type	Sub	Part No.	Description	Qty	Unit
1	1		6671007001	VOLT CASE 1 ASSY	1	PC.
		INC.		Item No.2		
	2		6671007001	VOLUTE CASE 1 ASSY	1	PC.
		INC.		Item No.2		
2	1		6671005010	SQUARE NUT	2	PC.
	2		6671005011	SQUARE NUT	2	PC.
3			0140059220	SCREW ASSY M5X65 (W.SW)	2	PC.
4			6671002000	DAMPER 1 COMPL	1	PC.
5			0200059910	WASHER M5	1	PC.
6			0043105400	PAN HEAD SCREW M5X40	1	PC.
7			0150059730	TAPPING SCREW 5X25	3	PC.
8			6671001000	INLET COVER COMPL	1	PC.
9	1		0150059760	TAPPING SCREW 5X16	9	PC.
	2		0150059800	TAPPING SCREW M5X18	9	PC.
10			6671003000	DAMPER 2 COMPL	2	PC.
11	1		0119069690	SOCKET HEAD BOLT M6X40 W/ SW	4	PC.
	2		0119069691	SOCKET HEAD BOLT M6X40 W/ SW W/THREAD LOCK	4	PC.
12	1		6671004000	IMPELLER COMPL	1	PC.
	2		240138-1	IMPELLER	1	PC.
13			0563379990	WIRE BAND	1	PC.
14			6671500400	ELBOW	1	PC.
15	1	*	0240989990	O RING	1	PC.
	2	*	213645-7	O RING 93	1	PC.
16	1		0119069680	SOCKET HEAD BOLT M6X30 W/ SW	6	PC.
	2		266649-8	SOCKET HEAD BOLT M6X30	6	
17	1		6671500200	BASE 1	1	PC.
	2		318890-0	BASE L	1	PC.
18	1		6671500300	BASE 2	1	PC.
	2		318891-8	BASE R	1	PC.
19	4		6671008003	* CASE 2 VOLUTE ASSY	1	PC.
		INC.		* Item No.20		
20	1		6671005010	SQUARE NUT	2	PC.
	2		6671005011	SQUARE NUT	2	PC.
21	1		0170059950	NUT M5	2	PC.
	2		931202-6	NUT M5	2	PC.
22	1		0736289980	* CAUTION LABEL	1	PC.
	2		892460-8	* CAUTION LABEL	1	PC.
23			0150049820	* TAPPING SCREW 4X6 (OLD)	1	PC.
24			6676500700	* MUFFLER GUARD (OLD)	1	PC.
25	1		0736309870	LABEL	1	PC.
	2		898343-0	CAUTION LABEL	1	PC.
26	1		6656500100	PLUG COVER	1	PC.
	2		450964-2	PLUG COVER	1	PC.
27			0150059800	TAPPING SCREW M5X18	4	PC.
28	1		6676500100	OIL GUARD	1	PC.
	2		424504-2	OIL GUARD	1	PC.
29	1		6419504300	CHOKE LABEL	1	PC.
	2		898454-1	CHOKE LABEL	1	PC.
30	5		453712-8	* ENGINE COVER	1	PC.
	6		141521-4	* ENGINE COVER COMPLETE	1	PC.
		INC.		* Item No.25,190-192, 206		
31	1		0851159861	TUBE	1	PC.
	2		412119-7	TUBE GUARD 20-160	1	PC.
32	1		5316503300	BREATHER	1	PC.
	2		168396-6	BREATHER	1	PC.
33	1		5926017000	FUEL TANK CAP ASSY	1	PC.
	2		125472-9	FUEL TANK CAP ASSY	1	PC.

Item	Type	Sub	Part No.	Description	Qty	Unit
34	2		168787-1	TUBE COMPLETE	1	PC.
35	1		0561059990	HOSE CLAMP	1	PC.
	2		345920-4	HOSE CLAMP	1	PC.
36	1		5806502900	FILTER	1	PC.
	2		163532-9	FILTER	1	PC.
37	4		454007-2	* FUEL TANK, FLUORIDIZED	1	PC.
38			6672500300	ROCK RIVET	4	PC.
39			6672002000	GUARD COMPL	1	PC.
40			0043706120	SCREW ASSY M6X12 W/ SW	2	PC.
41	1		0023706000	FLANGE NUT M6	2	PC.
	2		264092-5	FLANGE NUT M6	2	PC.
42			6672001000	FRAME COMPL	1	PC.
43			0140059210	SCREW ASSY M5X16 W/ SW	2	PC.
44			6672500200	ROCK RIVET	6	PC.
45	1		6672500000	CUSHION - N/L/A	1	PC.
	2		6672003000	CUSHION COMPLETE	1	PC.
46	1		6675001001	CONTROL LEVER ASSY	1	PC.
		INC.		Item No.47-59		
	2		6675001002	CONTROL LEVER ASSY	1	PC.
		INC.		Item No.47-59		
	3		126137-6	CONTROL LEVER ASSY	1	PC.
		INC.		Item No.47-59		
47	1		6675001010	SOCKET HEAD BOLT M6X20	1	PC.
	2		922317-0	HEX. SOCKET HEAD BOLT M6X14	1	PC.
48	1		0032206000	WAVE WASHER	1	PC.
	2		267841-9	WAVE WASHER 7	1	PC.
49	1		0031106000	WASHER	1	PC.
	2		267459-6	FLAT WASHER 7	1	PC.
50	1		6625500701	THROTTLE LEVER 2	1	PC.
	2		453717-8	THROTTLE LEVER 2	1	PC.
51	1		0170069960	NUT	1	PC.
	2		931302-2	HEX. NUT M6	1	PC.
52	1		6625500601	THROTTLE LEVER 1	1	PC.
	2		453716-0	THROTTLE LEVER 1	1	PC.
53	1		6625500901	TORSION SPRING	1	PC.
	2		233602-9	TORSION SPRING 9	1	PC.
54	1			SCREW M5X25	1	PC.
	2		911242-0	PAN HEAD SCREW M5X25	1	PC.
55	1		6675004000	SWITCH COM.	1	PC.
	2		168745-7	SWITCH COM.	1	PC.
56	1		6675001020	TAPPING SCREW 4X16	5	PC.
	2		266768-0	TAPPING SCREW 4X16	5	PC.
57	2		931202-6	HEX. NUT M5 (OLD# 017059950)	1	PC.
58	1		6675500001	CABLE TUBE	1	PC.
	2		453715-2	TUBE CABLE	1	PC.
59	1		0630139820	CONTROL CABLE	1	PC.
	2		168744-9	CONTROL CABLE	1	PC.
60	1		0043605300	* SCREW ASS'Y	2	PC.
	2		0119059570	* SOCKET HEAD BOLT M5X30	2	PC.
	3		266789-2	* H.S.H.BOLT M5X30 W/ WASHER	2	PC.
61	1		5971500700	* ROCKER COVER	1	PC.
	2		5971500701	* ROCKER COVER - N/A	1	PC.
	3		141771-1	* ROCKER COVER COM.	1	PC.
62	2		5971500900	ROCKER COVER GASKET	1	PC.

Item	Type	Sub	Part No.	Description	Qty	Unit
63	1		5971003001	* CYLINDER HEAD COM.	1	PC.
	2		5971003002	* CYLINDER HEAD COM.	1	PC.
		INC.		* Item No. 98, 99		
	3		142381-7	* CYLINDER HEAD COM.	1	PC.
		INC.		* Item No. 98, 99		
	4		142771-4	CYLINDER HEAD COM.	1	PC.
		INC.		Item No. 98, 99		
		INC.	313283-6	VALVE GUIDE (Added)	2	PC.
		INC.	424424-0	VALVE STEM SEAL (Added)	1	PC.
64	2		5971500502	CYLINDER HEAD GASKET - N/L/A	1	PC.
	3		442167-2	CYLINDER HEAD GASKET	1	PC.
66	1		0119069670	SOCKET HEAD BOLT M6X35	5	PC.
	2		922357-8	SOCKET HEAD BOLT M6X35	5	PC.
67	1		5971007000	CYLINDER BLOCK SET	1	PC.
		INC.		Item No.68,69		
	2		5971007001	CYLINDER BLOCK SET	1	PC.
		INC.		Item No.68,69		
68	1		5921501800	CHECK VALVE	2	PC.
	2		424201-0	CHECK VALVE	2	PC.
69	1		0119069930	HEX. SOCKET HEAD BOLT M6X30	6	PC.
	2		922352-8	HEX. SOCKET HEAD BOLT M6X30	6	PC.
70	2		5971500800	CAMGEAR COVER GASKET	1	PC.
	3		442168-0	CAM GEAR GASKET	1	PC.
71	1		5971500600	CAMGEAR COVER	1	PC.
	2		318725-5	CAM GEAR COVER	1	PC.
72	3		266813-1	* H.S.H.BOLT M5X16 W/ WR	4	PC.
73			6676005000	OIL CAP ASSY	1	PC.
		INC.		Item No.74		
74			0213229980	GASKET	1	PC.
75	1		5921501000	REED VALVE	1	PC.
	2		346083-9	LEAD VALVE	1	PC.
76			5931501300	RETAINER PLATE	1	PC.
77			0119049980	SOCKET HEAD BOLT M4X10	1	PC.
78			5976500100	OIL CASE GASKET	1	PC.
79	1		5976500000	OIL CASE	1	PC.
	2		319008-6	OIL CASE	1	PC.
80	1		0037008000	ALUMINUM GASKET	1	PC.
	2		346452-4	GASKET	1	PC.
81	1		0016608120	BOLT M8X12	1	PC.
	2		266916-1	HEX. BOLT M8X12	1	PC.
82	1		0140059680	* SCREW M5X25	5	PC.
	2		0119059390	* SOCKET HEAD BOLT M5X25	5	PC.
83			0851109960	TUBE	1	PC.
84			5972003000	PISTON RING SET	1	PC.
85	1		5972500001	PISTON	1	PC.
	2		5972500002	PISTON - N/L/A	1	PC.
	3		318726-3	PISTON	1	PC.
86	1		0440179910	OIL SEAL S	1	PC.
	2		213599-8	OIL SEAL 17	1	PC.
87	1		5802500701	PISTON PIN	1	PC.
	2		5802500702	PISTON PIN	1	PC.
88	1		0565119990	CLIP	2	PC.
	2		233995-4	RING SPRING 12	2	PC.
89			0610129940	NEEDLE ROLLER BEARING	1	PC.
90			0323049950	WOODRUFF KEY	1	PC.
91	1		5972500800	CLIP	1	PC.
	2		267448-1	FLAT WASHER 41	1	PC.

Item	Type	Sub	Part No.	Description	Qty	Unit
92	1		0440209890	OIL SEAL L	1	PC.
	2		213598-0	OIL SEAL L	1	PC.
93	1		5972002001	CRANKSHAFT COMPL	1	PC.
	2		5972002002	CRANKSHAFT COMPL	1	PC.
	3		142205-7	CRANKSHAFT COMPL	1	PC.
	4		126576-0	CRANKSHAFT ASSY	1	PC.
94	1		5973500100	* INTAKE VALVE	1	PC.
	2		331964-0	* INTAKE VALVE	1	PC.
95	4		331965-8	* EXHAUST VALVE	1	PC.
96	1		5973500301	* VALVE SPRING	2	PC.
	2		234212-5	* COMPRESSION SPRING 11	2	PC.
97	1		5973500400	* SPRING RETAINER	2	PC.
	2		331966-6	* RETAINER	2	PC.
98	1		5973500500	* SHAFT	1	PC.
	2		5973500501	SHAFT ROCKER ARM	1	PC.
	3		268310-3	PIN 5	1	PC.
99	3		126005-3	* ROCKER ARM ASSY	2	PC.
100	1		5973500800	PUSH ROD - N/L/A	2	PC.
	2		256526-2	PUSH ROD	2	PC.
101	1		5973500700	SHAFT	1	PC.
	2		256186-0	PIN 5	1	PC.
102			313266-6	* CAM LIFTER L	1	PC.
103	1		5973002001	CAMGEAR ASSY	1	PC.
	2		5973002002	CAMGEAR ASSY	1	PC.
		INC.	5973003002	CAMGEAR COMPL (Added)	1	PC.
		INC.	5973501600	SPRING (Added)	1	PC.
		INC.	5973501400	FLY WEIGHT (Added)	1	PC.
		INC.	346434-6	CAM GEAR PLATE (Added)	1	PC.
104	1		5933500100	ROCKER SHAFT	1	PC.
	2		256200-2	PIN 5	1	PC.
105			5975001000	STARTER REWIND	1	PC.
		INC.		Item No.106-115		
106			5975500000	PULLEY	1	PC.
107	1		5195002060	SET SCREW	1	PC.
	2		266585-8	TAPPING SCREW 5X12	1	PC.
108	1		5975002040	COLLAR	1	PC.
	2		424516-5	COLLAR	1	PC.
109	1		5975002050	SWING ARM	2	PC.
	2		326200-7	SWING ARM	2	PC.
110	1		5975002030	FRICITION SPRING	1	PC.
	2		234257-3	FRICITION SPRING	1	PC.
111	1		5315001030	STOPPER	1	PC.
	2		424360-0	ROPE STOPPER	1	PC.
112	1		5315001020	STARTER KNOB	1	PC.
	2		424361-8	STARTER KNOB	1	PC.
114	1		5975002020	REEL	1	PC.
	2		441075-4	REEL	1	PC.
115	1		5255040030	SPIRAL SPRING	1	PC.
	2		232262-4	SPIRAL SPRING	1	PC.
116	1		0140059360	SCREW & WASHER ASS'Y	3	PC.
	2		266788-4	PAN HEAD SCREW M5X20 WITH WR	3	PC.
117	1		6679500702	MODEL LABEL	1	PC.
	2		6679500703	MODEL LABEL	1	PC.
118			5973501200	CARBURETOR GASKET	1	PC.
119	4		266749-4	* HEX. S.H.B. M5X25 WITH WR	2	PC.
120	1		5973009001	INSULATOR COMPL	1	PC.
	2		453858-0	INSULATOR COMPL	1	PC.

Item	Type	Sub	Part No.	Description	Qty	Unit
121	2		162333-2	INSULATOR GASKET (OLD# 5973501100)	1	PC.
122	2		0119059490	* SOCKET HEAD BOLT M5X14 W/SW	1	PC.
123			5976001000	CARBURETOR	1	PC.
		INC.		Item No.124,126-144		
124			5976001010	PUMP BODY ASSY	1	PC.
		INC.		Item No.125		
125	1		5016004010	INLET SCREEN	1	PC.
	2		352010-6	INLET SCREEN	1	PC.
126	1		5236046040	METERING DIAPHRAGM GASKET	1	PC.
	2		442154-1	METERING DIAPHRAGM GASKET	1	PC.
127	1		5926008010	METERING DIAPHRAGM ASS'Y	1	PC.
	2		168574-8	METERING DIAPHRAGM	1	PC.
128	1		5236046140	AIR PURGE BODY ASS'Y	1	PC.
	2		140438-8	AIR PURGE BODY	1	PC.
129	1		5246001150	PRIMER PUMP	1	PC.
	2		424314-7	PRIMER PUMP	1	PC.
130	1		5236046050	PRIMER PUMP COVER	1	PC.
	2		346270-0	PRIMER PUMP COVER	1	PC.
131	1		5236046010	PUMP COVER SCREW	4	PC.
	2		266582-4	TAPPING SCREW 3X24	4	PC.
132	1		5216008010	CABLE ADJUST SCREW M6X8	1	PC.
	2		266795-7	ADJUST SCREW	1	PC.
133	1		5316005450	CABLE ADJUST NUT	1	PC.
	2		264065-8	CABLE ADJUST NUT M6	1	PC.
134	1		5236018040	SWIVEL	1	PC.
	2		325922-6	SWIVEL	1	PC.
135	1		5426005030	WASHER	1	PC.
	2		413140-9	WASHER	1	PC.
136	1		5246001240	THROTTLE COLLAR SCREW	2	PC.
	2		266704-6	PAN HEAD SCREW M3X10	2	PC.
137	1		5236052020	BRACKET CABLE	1	PC.
	2		346491-4	BRACKET CABLE	1	PC.
138	1		5316005120	RING	1	PC.
	2		257964-1	STOP RING E-3	1	PC.
139	1		5236018020	RING PACKING	1	PC.
	2		424444-4	PACKING RING	1	PC.
140	1		5926002020	PUMP SPRING	1	PC.
	2		234183-6	CONICAL COMPRESSION SPRING 5-9	1	PC.
141	1		5246001010	O RING	1	PC.
	2		213538-8	O RING 2	1	PC.
142	1		5976001020	JET #60	1	PC.
	2		WJ00112478	MAIN JET	1	PC.
143	1		5926002040	PUMP GASKET	1	PC.
	2		442155-9	PUMP GASKET	1	PC.
144	1		5246001040	PUMP DIAPHRAGM	1	PC.
	2		168575-6	PUMP DIAPHRAGM	1	PC.
145			6676501200	KNOB BOLT M5X45	2	PC.
146	2		6676002002	AIR CLEANER COVER	1	PC.
147	2		6676500201	AIR CLEANER ELEMENT	1	PC.
148	1		004-36051-60	SCREW ASS'Y M5X16 W/ SW	4	PC.
	2		266494-1	+ PAN HEAD SCREW M5X16	4	PC.
149	3		6676003002	* AIR CLEANER CASE ASSY	1	PC.
		INC.		* Item No.150-153		
	4		126377-6	AIR CLEANER CASE ASSY		
		INC.		Item No.150-153		

Item	Type	Sub	Part No.	Description	Qty	Unit
150	1		6676500600	* SEPARATOR PLATE	1	PC.
	2		6676501300	* SEPARATOR PLATE	1	PC.
	3		162358-6	SEPARATOR PLATE	1	PC.
151	1		5316500701	CHECK VALVE	1	PC.
	2		424315-5	CHECK VALVE	1	PC.
152	1		5923502400	CHECK VALVE - N/L/A	1	PC.
	2		424316-3	CHECK VALVE	1	PC.
153	2		6676500500	CHECK VALVE PLATE	1	PC.
	3		454834-7	CHECK VALVE PLATE	1	PC.
154	1		0851139920	* TUBE	1	PC.
	2		412121-0	* TUBE 3-130 (Remain Available)	1	PC.
	3		412129-4	* TUBE 3-105	1	PC.
155	1		0561079990	* HOSE CLAMP	1	PC.
	3		282027-4	* HOSE CLAMP 6	1	PC.
156	1		0851029930	TUBE	1	PC.
	2		422096-5	TUBE 3-25	1	PC.
157	1		5973502200	JOINT PIPE	1	PC.
	2		452952-5	HOSE JOINT	1	PC.
158	2		0851199960	* TUBE 3-190	1	PC.
159			5973006000	INTAKE CASE ASSY	1	PC.
		INC.		Item No.160-163		
160			5973501800	CHOKE LEVER	1	PC.
161			5973501700	CHOKE PLATE	1	PC.
162			5973006010	TAPPING SCREW 4X12	2	PC.
163			5973501900	INTAKE PLATE	1	PC.
164	1		0043605650	SCREW ASS'Y M5X65	2	PC.
	2		911288-6	PAN HEAD SCREW M5X65	2	PC.
165			0561679990	HOSE CLAMP	1	PC.
166			0561439990	HOSE CLAMP	1	PC.
167	2		6676500400	AIR CLEANER DUCT	1	PC.
168	1		5973501301	MUFFLER GASKET	1	PC.
	2		5973501302	MUFFLER GASKET	1	PC.
169	3		5973001003	* EXHAUST MUFFLER	1	PC.
170			0200069890	* WASHER (OLD, Remains available)	3	PC.
171	1		0119069650	* SOCKET HEAD BOLT M6X70 (Remains available)	3	PC.
	2		266771-1	* SOCKET HEAD BOLT M6X18	3	PC.
172	1		5927500100	PLUG CAP	1	PC.
	2		424105-6	PLUG CAP	1	PC.
173	1		0654009931	PLUG CAP SPRING - N/L/A	1	PC.
	2		324891-8	PLUG CAP SPRING	1	PC.
174			0119049970	SOCKET HEAD BOLT M4X20	2	PC.
175	1		6165500201	WIRE	1	PC.
	2		638784-6	WIRE	1	PC.
176	1		5927011000	WIRE 2	1	PC.
	2		638710-5	LEAD WIRE	1	PC.
177			5977001010	IGNITION COIL	1	PC.
178			5977001020	FLYWHEEL COMPL	1	PC.
179	1		0023710000	FLANGE NUT M10	1	PC.
	2		264054-3	FLANGE NUT M10	1	PC.
181			0561769990	HOSE CLAMP	1	PC.
183			0561009990	HOSE CLAMP	1	PC.
187	1		5973502300	* CAM LIFTER	1	PC.
	2		313267-4	CAM LIFTER	1	PC.
188			6672500400	* FAN COVER	1	PC.
189			6672500300	* ROCK RIVET	2	PC.

Item	Type	Sub	Part No.	Description	Qty	Unit
190	1		6676501500	* INSULATION LABEL	1	PC.
	2		443174-8	* INSULATION LABEL A	1	PC.
191	1		6676501600	* INSULATION LABEL	1	PC.
	2		443175-6	* INSULATION LABEL B	1	PC.
192	1		6676501700	* INSULATION LABEL	1	PC.
	2		443176-4	* INSULATION LABEL C	1	PC.
198			331967-4	* COTTER (Added)	4	PC.
199			331937-3	* EXHAUST PORT SPACER (Added)	1	PC.
200	1		412123-6	* TUBE 10-110 (Remains Available)	1	PC.
	2		412130-9	* TUBE 10-50	1	PC.
201			412127-8	* TUBE 10-170	1	PC.
202			412124-4	* TUBE 10-220	1	PC.
203			412122-8	* TUBE 3-240	1	PC.
206			443193-4	* INSULATION LABEL D(Added)	1	PC.
E02			345920-4	* HOSE CLAMP (Added)	1	PC.

ACCESSORIES

- See catalogue or visit www.makita.ca for more optional accessories -

A01			0650109950	SPARK PLUG CMR6A	1	PC.
A02	1		5975002110	STARTER ROPE	1	PC.
	2		444043-6	STARTER ROPE	1	PC.
A03	1		6679002000	SWIVEL PIPE COMPLETE	1	PC.
	2		168746-5	SWIVEL PIPE COMPLETE	1	PC.
A04	1		6679500000	FLEXIBLE PIPE	1	PC.
	2		412115-5	FLEXIBLE PIPE	1	PC.
A05	1		6679501801	STRAIGHT PIPE	1	PC.
	2		455633-0	STRAIGHT PIPE 450	1	PC.
A06	1		6679501900	END PIPE	1	PC.
	2		455632-2	END PIPE 450	1	PC.
A07			6679001000	BAND COMPLETE	2	PC.
A08	1		6909059000	TOOL KIT	1	PC.
	2		194717-6	BOX WRENCH SET	1	PC.
A09	1		6679500201	END PIPE	1	PC.
	2		455631-4	END PIPE 200	1	PC.
A10			196334-8	* ANTI-STATIC BELT SET (OPTIONAL F/ Item No.14 ELBOW) (Added)	1	PC.

SERVICE CHANGES

1. Changes on Engine Cover

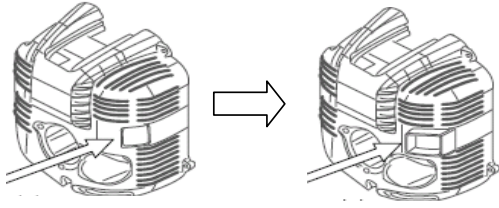
Item No.	Description	(T/l# Y05064)		(T/l# Y05801)	(T/l# Y06063)	(T/l# Y06152)	(T/l# 97294)
		Type 1	Type 2	Type 3	Type 4	Type 5	Type 6
30	Engine Cover	6676500802	6676500803	6676500804	6676500805	453712-8	141521-4 (INC. Item 25, 190-192)
24	Muffler Guard	6676500700		----			
23	Tapping Screw 4x6	0150049820		-----			
190	Insulation label A	-----		6676501500 OR 443174-8			
191	Insulation label B	-----		6676501600 OR 443175-6			
192	Insulation label C	-----		6676501700 OR 443176-4			

Above parts are completely interchangeable as a set.

Type 5 Engine Cover remains available

(Type 1)

(Type 2)

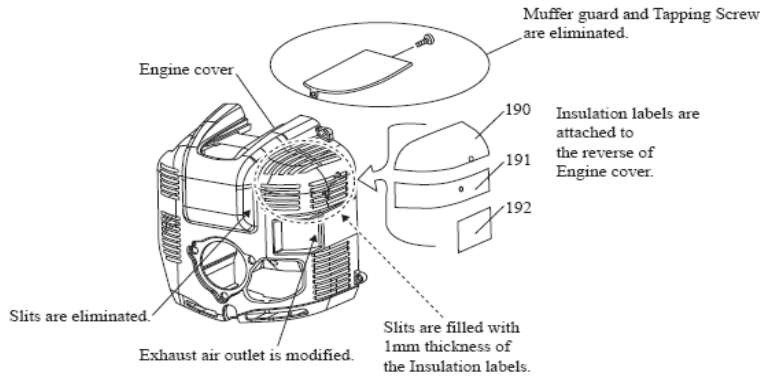


Exit for gas emission

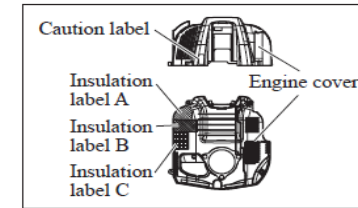
Exit for gas emission has been modified

(Type 3)

(Type 6)



Engine cover complete

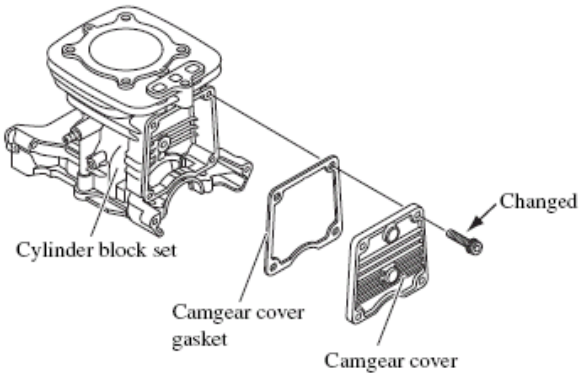


Note: The component labels of Engine cover complete are available to supply continuously.

2. Screw Assy and Socke Head Bolt

Item No.	Description	Type 1	Type 2	Type 3
72	Screw Assy/ S.H.Bolt	004-36051-60	0119059531	266813-1

*Above parts are interchangeable each other.

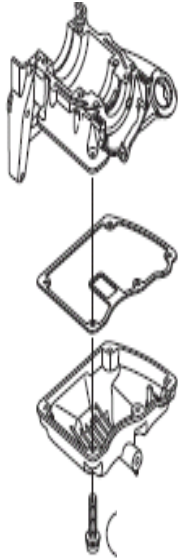


SERVICE CHANGES

3. Changes on Screw and Screw Assy (T/I#Y05470) (T/I# Y06152)

Item No.	Description	Type 1	Type 2	Type 3
82	Screw M5x25	0140059680		0119059390
60	Screw Assy	0043605300	0119059570	266789-2

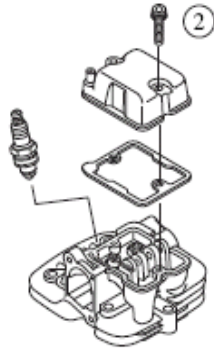
Above parts are interchangeable each other. (Type1 remains available)



M5x25 Screw with flat washer and spring washer for Oil case



M5x25 Socket head bolt with flat washer and spring washer for Oil case



Screw ass'y with flat washer and spring washer for Rocker Cover



M5x30 S.H.Bolt with flat washer and spring washer for Rocker cover

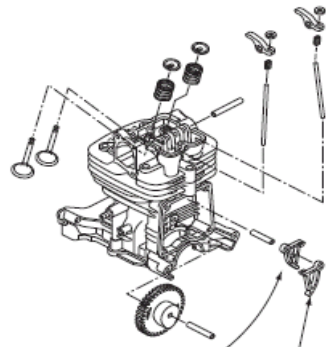
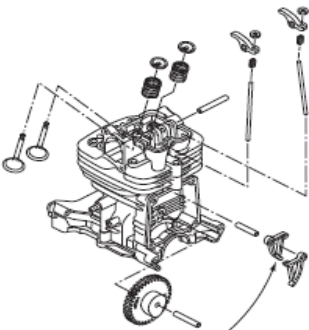
4. Cam Lifter (T/I#Y05353)

Item No.	Description	Type 1	Type 2	Type 3
102	Cam Lifter	5973500601 (2PC)	5973500601 (1PC)	313266-6 (1PC)
187	Cam Lifter	-----	5973502300	

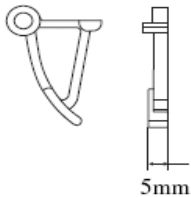
Above parts are completely interchangeable as a set.

(Type 1)

(Type 2)



Both exhaust and intake sides
Cam lifters : 5973500601



Exhaust side
Cam lifter: 5973502300

Intake side (The cam lifter remains 5973500601.)

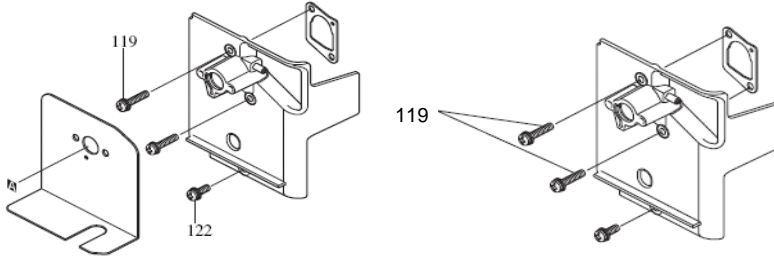
1) Rib is added as a distinction of the new from the current.
2) The contact area is enlarged.

SERVICE CHANGES

5. Screw, Screw Assy, Socket Head Bolt (T/I#Y05301) (T/I#Y05507) (T/I# 06029)

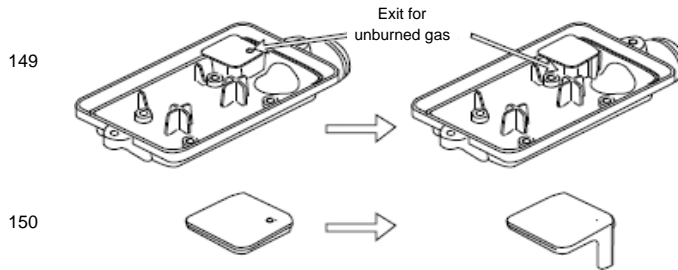
Item No.	Description	Type 1	Type 2	Type 3	Type 4
119	Screw M5x25 / S.H.Bolt M5x25	0140059680	119059390 (Do Not Use)	0119059640 (S.H.Bolt)	266749-4
122	Screw Assy M5x14	0043605140	0119059490 (S.H.Bolt M5x14 W,SW)		

Above parts are completely interchangeable as a set.



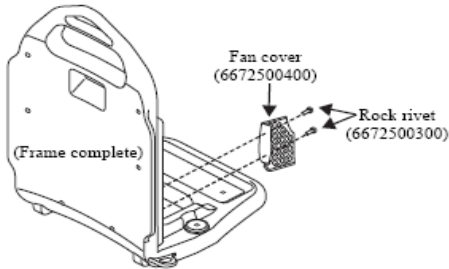
6. Air Case Cleaner Assy and Separator Plate

Item No.	Description	Type 1	Type 2
149	Air Case Cleaner	6676003001 (N/L/A)	6676003002
150	Separator Plate	6676500600 (N/L/A)	6676501300



7. Addition of Fan Cover and Rock Rivet to Frame complete

Item No.	Description	Type 1	Type 2
188	Fan cover	-----	6672500400
189	Rock rivet	-----	6672500300



SERVICE CHANGES

8. Changes on Fuel Tank

Item No.	Description	(T/l# Y06031)		(T/l# Y06063)	(T/l# Y06210)
		Type 1	Type 2	Type 3	Type 4
37	Fuel Tank	6673002001 Fuel Tank Com.	6673005000 Fuel Tank Com. Fluoridized	453698-6 Fuel Tank - N/A	454007-2 Fuel Tank, Fluoridized

Service Note:

Type 1 & 2 cannot be used for the product manufactured after 2012.

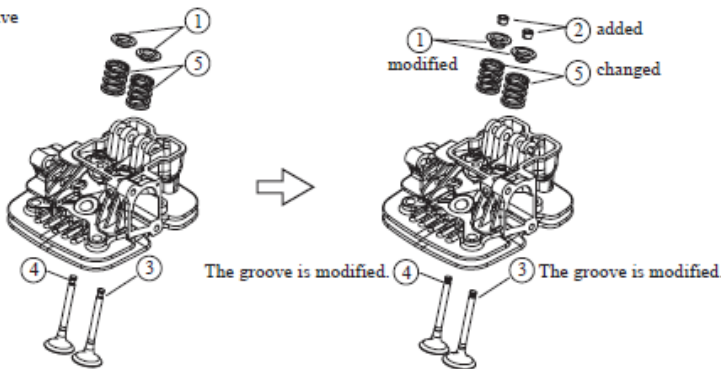
9. Changes around Valve

Item No.	Description	(T/l#Y05468)			(T/l# Y06029)	Image No.
		Type 1	Type 2	Type 3	Type 4	
94	Intake valve		5973500100		331964-0	3
95	Exhaust valve	5973500200	5973500201	5973500202	331965-8	4
96	Spring		5973500301		234212-5	5
97	Retainer		5973500400		331966-6	1
198	COTTER		----		331967-4	2

Exhaust side ... Item No. 95, 96, 97 and 198 are interchangeable as a set.

Inner take side ... Item No. 94, 96, 97 and 198 are interchangeable as a set.

Around Valve



10. Changes around Cylinder Head

Item No.	Description	(T/l# Y05380)		(T/l# Y06029)	(T/l# A0518)	(T/l# A3731)	Image No.	
		Type 1	Type 2	Type 3	Type 4	Type 5		Type 6
19	Case 2 Volute Assy		6671008001	671008002	6671008003		18	
63	Cylinder head com.		5971003001	5971003002 (INC. Item No. 98 & 99)		142381-7 (INC. Item No. 98 & 99)	142771-4 (INC. Item No. 98 & 99)	6
98	Shaft >Pin 5 (Name chage fm T-1001)		5973500500	5973500501		268310-3		7
99	Rocker arm assy	5973004000	126005-3		126005-3			8
199	Exhaust port spacer	----	331937-3	331937-3				9
169	Exhaust muffler	5973001001	5973001002	5973001003				10
170	Washer		0200069890		----			12
171	S.H. Bolt		0119069650		266771-1			11
158	Tube 3-190		0851199960 (2 pc.)		0851199960 (1 pc.)			13-1
200	Tube 10-100/10-50		----	412123-6 (110mm)		412130-9 (50mm)		14
201	Tube 10-170		----			412127-8		15
202	Tube 10-220		----			412124-4		16
203	Tube 3-240		----		412122-8			13-2
61	Rocker Cover		5971500700	5971500701		141771-1		22
154	Tube 3-130/3-105		0851139920	412121-0 (130mm)		412129-4 (105mm)		24
155	Hose Clamp		0561079990			282027-4 or 0561069990		

Type 2 & Type 3 parts are completely interchangeable as a set.

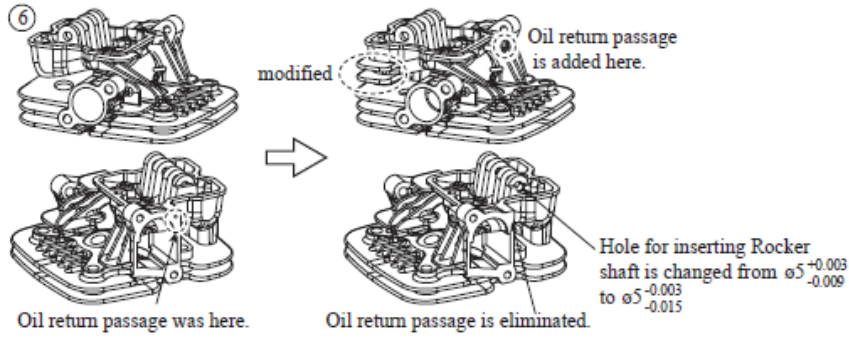
Type 3 & Type 4 parts for Item 61, 154, 155 and 200 are interchangeable as a set.

Type 3 Item No. 154 & 200 remain available.

(See Illustration on Next Page)

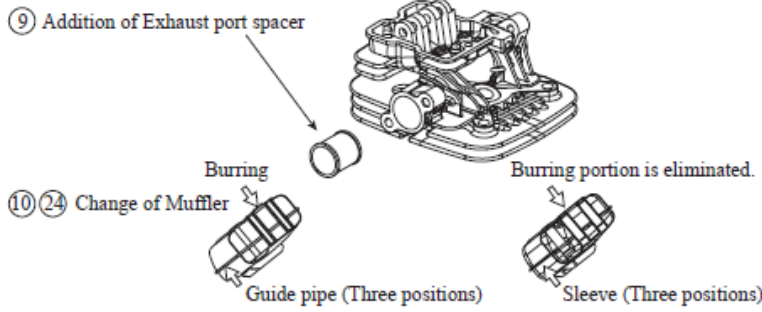
SERVICE CHANGES

Around Cylinder head

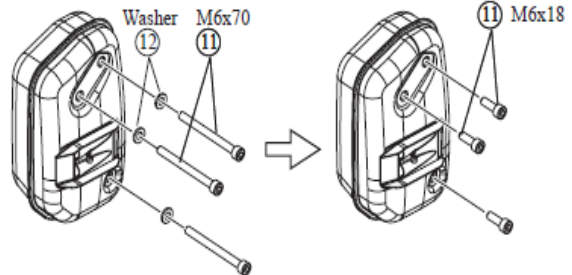


⑦ Change of Outer diameter of Rocker arm shaft $\phi 5^{0}_{-0.010} \rightarrow \phi 5^{0}_{-0.002}$

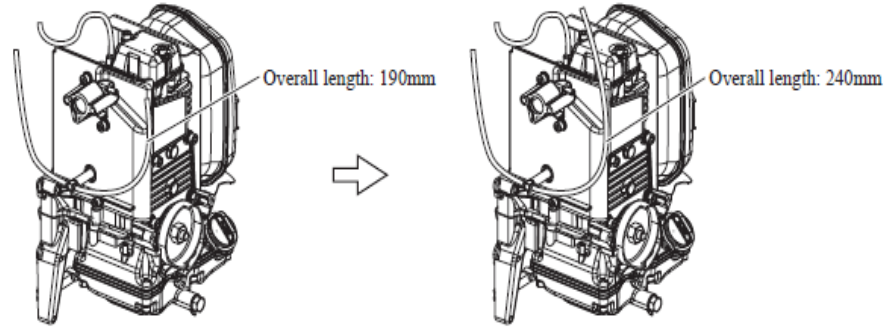
⑧ Rocker arm assembly is treated as the component of ⑥ However, the current parts remain available.



⑪ ⑫ Change of Bolt for securing Muffler

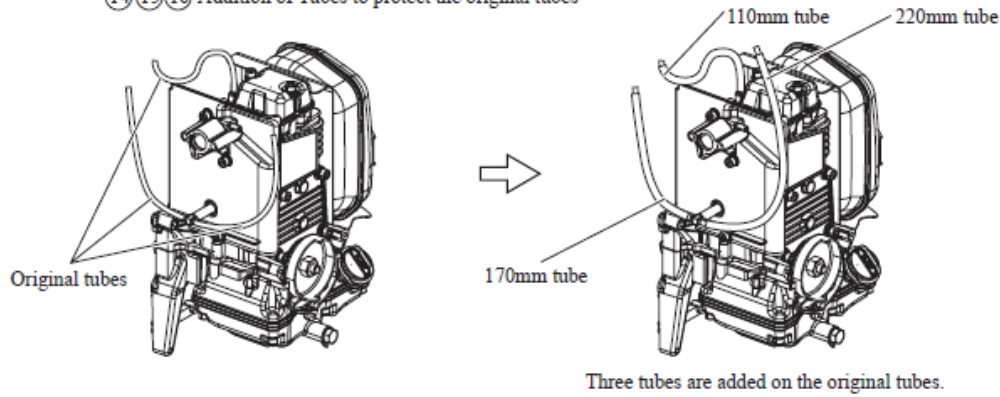


⑬-① ⑬-② Change of Tube (one of Two tubes is changed.)

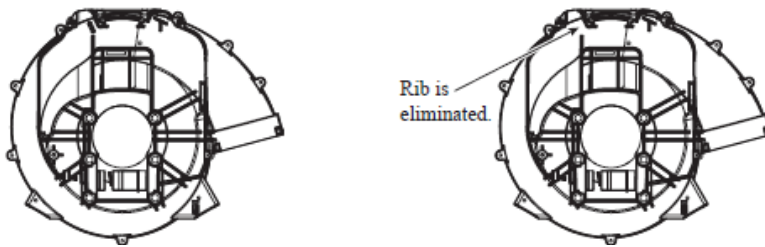


SERVICE CHANGES

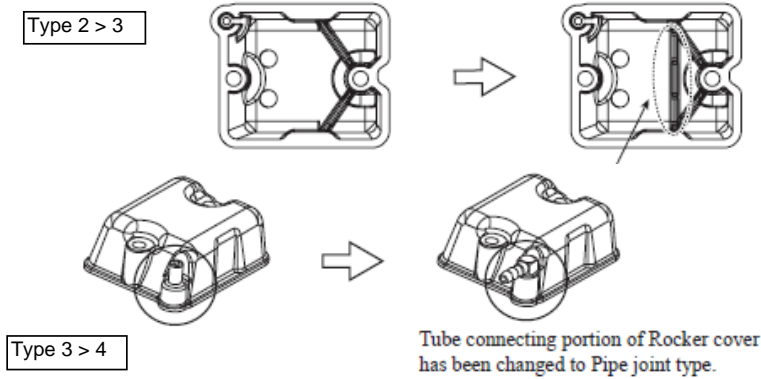
⑭⑮⑯ Addition of Tubes to protect the original tubes



⑰⑱ Change of Case 2 volute assy



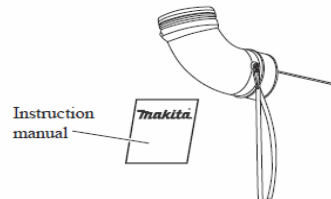
⑳ Change of Rocker cover



(T/I# Y05380) (T/I# Y06029) (T/I# Y06111, Y06308, Y06172)

11. Available Anti-Static Belt Set as optional Accesory

Item No.	Description	Type 1	(TI#Z20769)
A10	Anti-Static Belt Set	196334-8	



SERVICE CHANGES

12. Changes on O ring

(TI#Y06345)

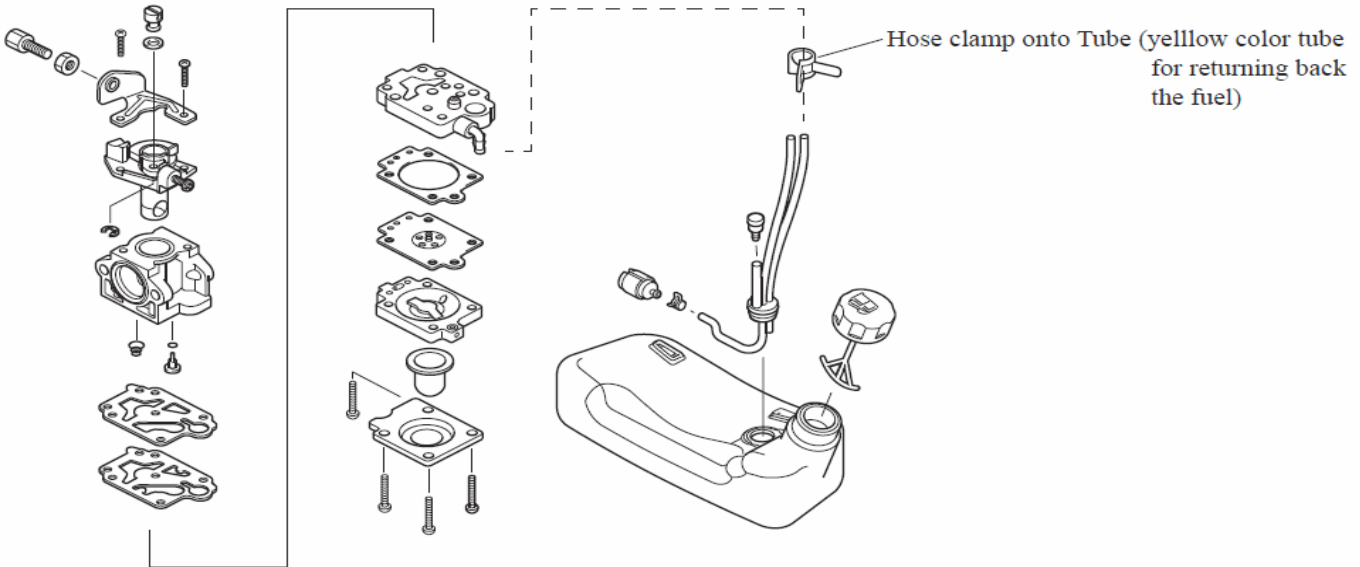
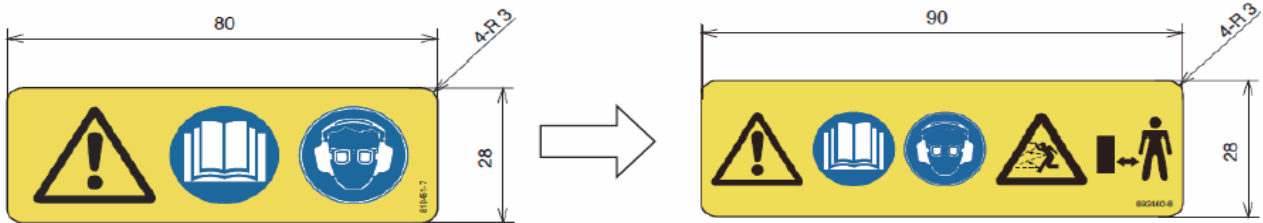
Item No.	Type 1	Type 2
A10	0240989990 O Ring	213645-7 O Ring 93



13. Changes on Caution label, and addition of Hose clamp

(TI#A5745)

Item No.	Description	Type 1	Type 2
22	Caution label	736289980	892460-8
E02	Hose Clamp	-----	345920-4



SERVICE CHANGES

14. Addition of Insulation label D (TI#A4828)

Item No.	Description	Part No.
206	Insulation label D	443193-4

**The component of Engine cover complete (141521-4)

The attached position is 5 mm inside from the end.

