

Universal Rotary Hammer - 0 611 212 735 - B8850

www.powertools-aftersaleservice.com



BOSCH

Item	Part Number	Description	Illustration	Price	Quantity	Price Group
	1 2 605 108 014	Motor Housing BLUE	1	-,-	1	31
	2 2 604 220 428	Field 110-120V	1	-,-	1	32
3/50	1 616 610 072	Fan BLACK	1	-,-	1	12
	4 2 607 200 180	On-Off Switch	1	-,-	1	41
	6 2 600 703 013	Grommet Ø7,6-Ø8,2x95 MM	1	-,-	1	13
	7 2 601 035 001	Cable Clip	1	-,-	1	11
	9 3 611 119 517	Manufacturer's nameplate	1	-,-	1	-
	10 3 611 119 518	Reference Plate	1	-,-	1	-
	13 1 614 449 004	Brush Holder	1	-,-	1	15
	14 1 614 449 005	Brush Holder	1	-,-	1	15
	17 1 615 133 022	Handle BLACK	1	-,-	1	30
	18 1 610 522 008	Air-Deflector Ring	1	-,-	1	11
	20 1 615 700 037	Intermediate Flange	1	-,-	1	28
	21 1 616 490 058	Ratchet Sleeve SDS-PLUS	1	-,-	1	39
	22 1 616 320 007	Cylindrical Gear Z=46	1	-,-	1	20
	23 1 616 320 002	Cylindrical Gear Z=6/21	1	-,-	1	30
	24 1 613 060 010	Toothed Shaft Z=6/10	1	-,-	1	37
	26 1 618 700 052	Hammer Piston	1	-,-	1	25
	28 1 613 124 026	Striker Pin	1	-,-	1	14
	29 1 613 105 012	Piston Pin	1	-,-	1	15
	30 1 615 819 005	Drive bearing	1	-,-	1	33
	31 1 610 100 003	Support Disc 0,8 MM THICK	1	-,-	2	11
	32 1 612 026 023	Clamp Handle BLACK	1	-,-	1	13
	34 1 610 508 008	Protective Cap L=17 MM, SDS-PLUS	1	-,-	1	12
	35 1 610 206 021	Rubber Ring	1	-,-	1	11
	37 1 610 390 011	Damping Bushing	1	-,-	1	15
	38 1 610 102 022	Supporting Disc	1	-,-	1	12
	39 1 613 100 013	Straight Pin	1	-,-	1	12
	40 1 614 690 001	Holding Spring	1	-,-	1	11
	41 1 610 920 003	Roller-Cage Assembly	1	-,-	1	14
	43 2 601 015 047	Brush Plate	1	-,-	2	11
	44 1 614 633 001	Compression Spring	1	-,-	1	14
	45 1 614 614 001	Compression Spring	1	-,-	1	11

Item	Part Number	Description	Illustration	Price	Quantity	Price Group
48	1 614 438 003	Connecting Cable L=190 MM WHITE	1	-,-	1	15
49	1 614 438 003	Connecting Cable L=190 MM WHITE	1	-,-	1	15
54	1 610 210 068	O-Ring 24,0x2,5 MM	1	-,-	1	11
55	1 610 206 023	Seal ring	1	-,-	1	14
56	1 610 210 070	O-Ring 14,0x3,0 MM	1	-,-	1	13
58	1 610 210 058	O-Ring 18,0x3,0 MM	1	-,-	2	13
59	1 610 210 069	O-Ring 6,0x2,5 MM	1	-,-	1	11
60	1 610 210 073	O-Ring 10,0x3,5 MM	1	-,-	1	12
61	1 610 283 017	Rotary shaft lip seal	1	-,-	1	20
62	1 610 202 026	Plain bearing	1	-,-	1	17
65	1 619 P01 511	Ball Bearing	1	-,-	1	19
66	1 610 301 000	Bushing Ø30xØ37x15,7 MM	1	-,-	1	15
67	2 600 914 010	Needle bearing Ø6 MM	1	-,-	1	14
70	1 903 230 013	Ball DIN 5401-Ø7MM-III-ST	1	-,-	1	10
71	1 610 101 011	Shim washer 1,2 MM THICK	1	-,-	2	11
72	2 916 540 018	Retaining ring DIN 7993-A32	1	-,-	1	15
73	1 614 601 009	Retaining ring DIN 9045-24	1	-,-	1	11
74	2 910 951 132	Oval-Head Screw DIN 7985-M4x25-8.8	1	-,-	4	10
76	1 613 435 009	Tapping Screw ST-4,8x57,5-TORX,T20	1	-,-	4	11
77	2 912 401 020	Tapping Screw DIN 7981-3,9x19-C-Z-ST	1	-,-	4	10
78	2 910 211 011	Tapping Screw DIN 7971-BZ3,5x13	1	-,-	2	10
79	2 603 490 017	Torx Oval-Head Screw 3x10	1	-,-	4	10
80	2 603 435 015	Recessed-Head Screw DIN 7981-ST3,5x9,5-F	1	-,-	2	11
81	2 603 410 001	Socket head cap screw M3x6,5-4.8	1	-,-	2	11
83	1 903 230 309	Ball 5 MM V DIN 5401	1	-,-	1	11
84	2 916 690 003	Spring Lock Washer DIN 128-A4-FST	1	-,-	4	10
87	2 916 540 012	Retaining ring DIN 7993-A22	1	-,-	1	13
88	1 614 431 018	Connecting Cable L=145 MM GRAY	1	-,-	1	12
89	1 614 431 019	Connecting Cable L=80 MM BLUE	1	-,-	1	12
90	2 607 200 140	Change-Over Switch	1	-,-	1	33
94	1 613 120 017	Detent Pin	1	-,-	1	11
120	1 612 025 019	Auxiliary Handle M8	2	-,-	1	19
121	1 618 040 048	index turning toolholder Ø43 MM	2	-,-	1	21
122	1 613 490 002	T-Head Bolt M8x40 MM	2	-,-	1	13
123	1 611 316 006	Clamping Band Ø43 MM	2	-,-	1	13
123	1 611 316 003	Clamping Band Ø43 MM	2	-,-	1	13
124	1 613 100 012	Straight Pin	2	-,-	1	11
130	1 601 110 449	Nameplate CAUTION	1	-,-	1	11
720	2 602 025 070	Auxiliary Handle Ø43 MM	2	-,-	1	26
720/8	1 617 000 925	Parts Set	2	-,-	1	27
751	1 613 001 009	Depth-Gauge SW 6x210 MM	2	-,-	1	15
803	1 614 010 041	Armature With Fan 110-120V	1	-,-	1	43
805	3 604 460 555	Power supply cord USA/CDN 2,15m 2 x 0,82mm SJ 18/2	1	-,-	1	24
808	1 601 106 032	Nameplate 26x52 MM	1	-,-	1	13
811	1 617 014 114	Carbon Brush	1	-,-	1	22
816	1 615 806 077	Gear Housing BLACK	1	-,-	1	37
821	1 617 000 931	Ratchet Sleeve	1	-,-	1	42
827	1 617 000 338	Striker	1	-,-	1	28
833	1 617 000 163	Protection Sleeve SDS-PLUS	1	-,-	1	20
863	1 610 905 048	Deep-Groove Ball Bearing 9x24x7	1	-,-	1	21
864	1 610 905 025	Deep-Groove Ball Bearing 7x19x6	N/A	-,-	1	19

Product information Universal Rotary Hammer - 0 611 212 735 - B8850

Product No	0 611 212 735
Description	102.024; Universal Rotary Hammer
DIN-Text	
ID_Text_Ext	0
Trading_Description	B8850
Voltage_1	120 V
ID_Country_Product	---

Illustration - Type E

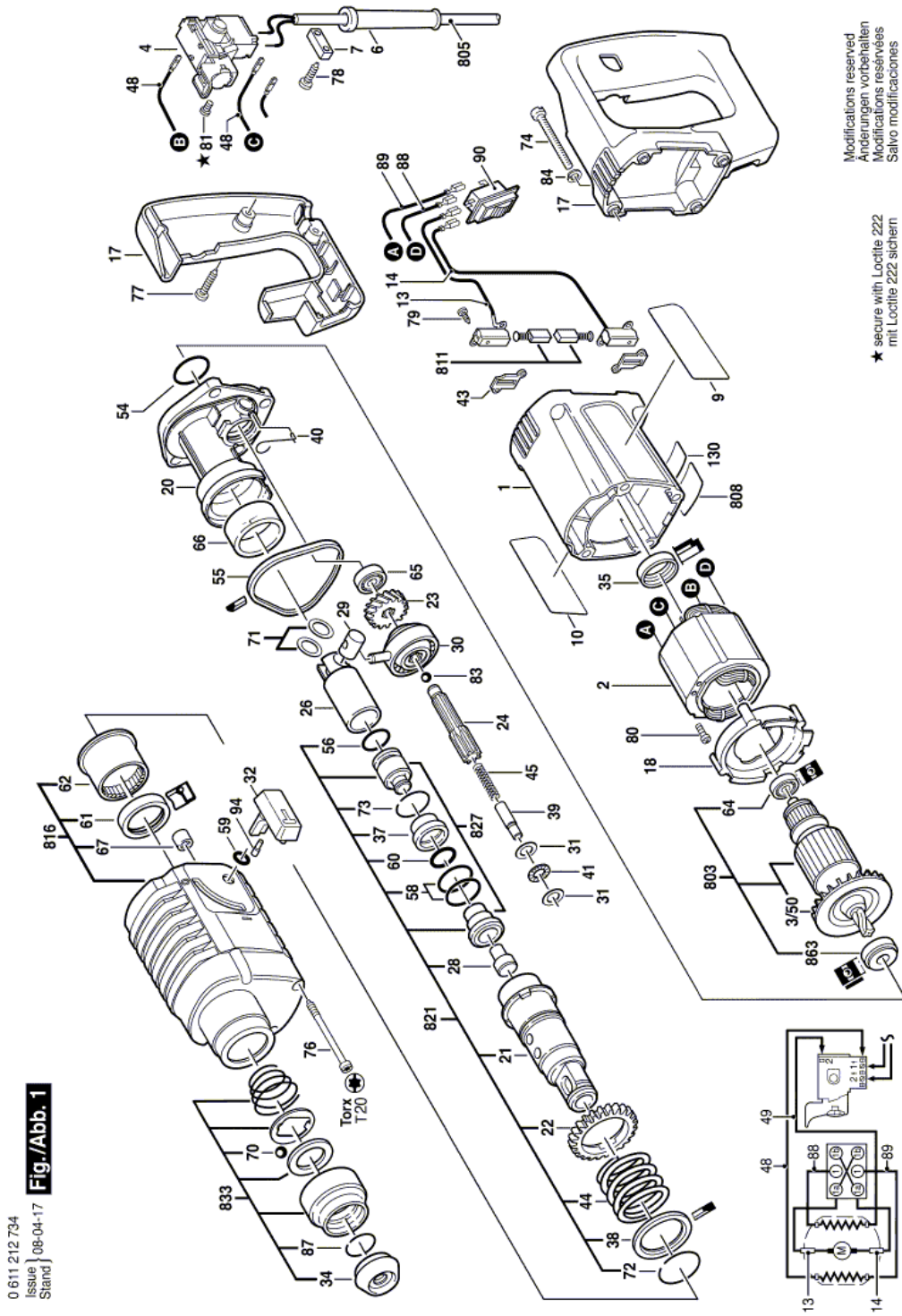
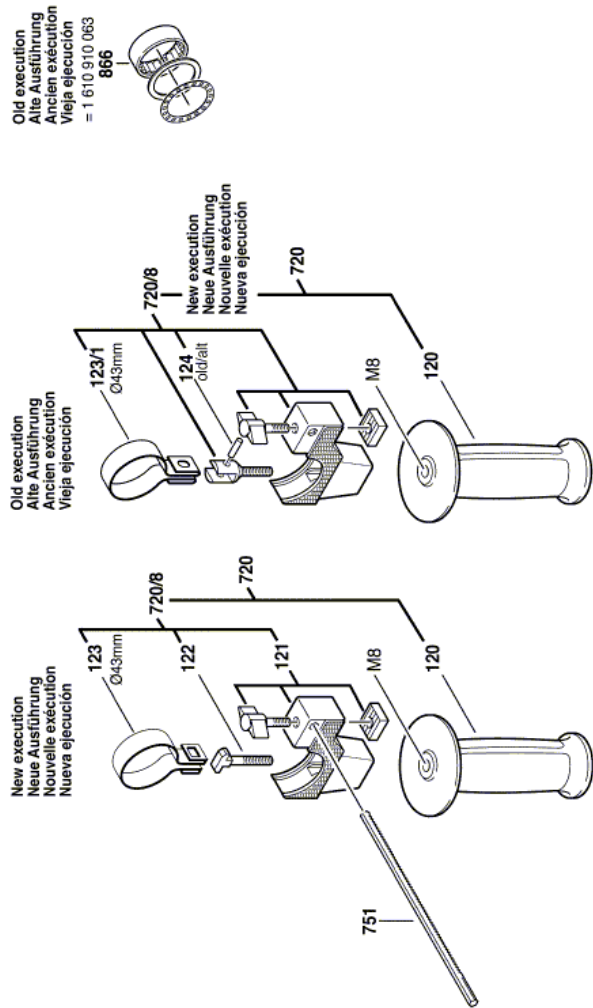


Illustration - Type E

0 611 212 734
 Issue / Stand) 08-04-17

Fig./Abb. 2



Modifications reserved
 Änderungen vorbehalten
 Modifications réservées
 Salvo modificaciones

Information subject to change without further notice.