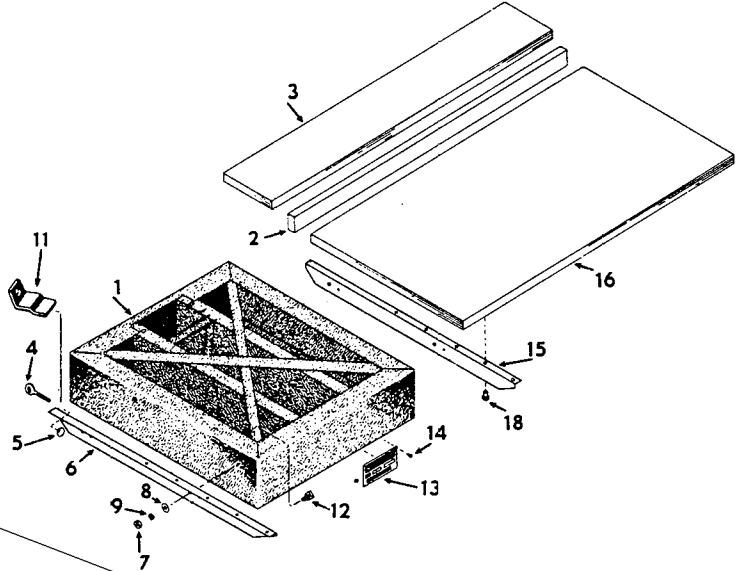
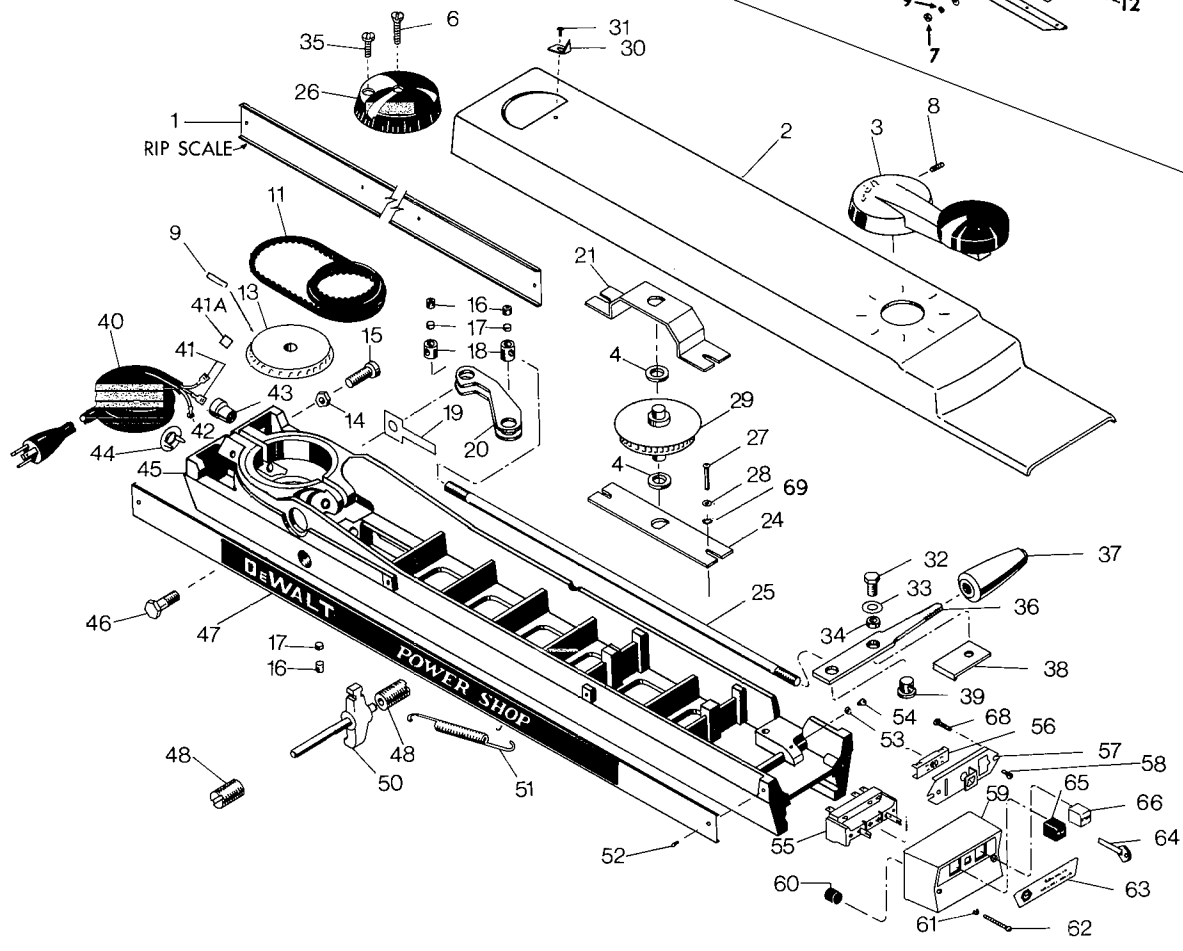
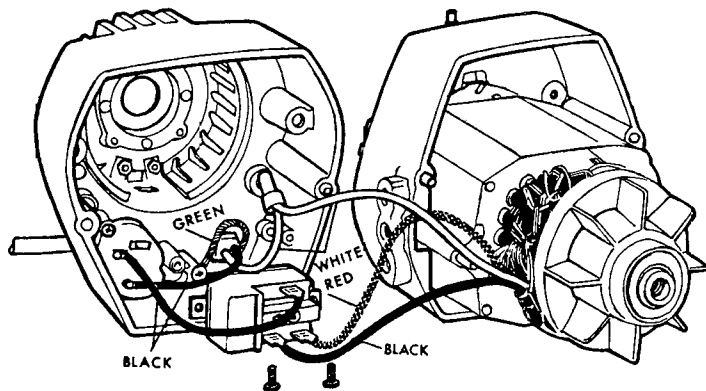


"T"

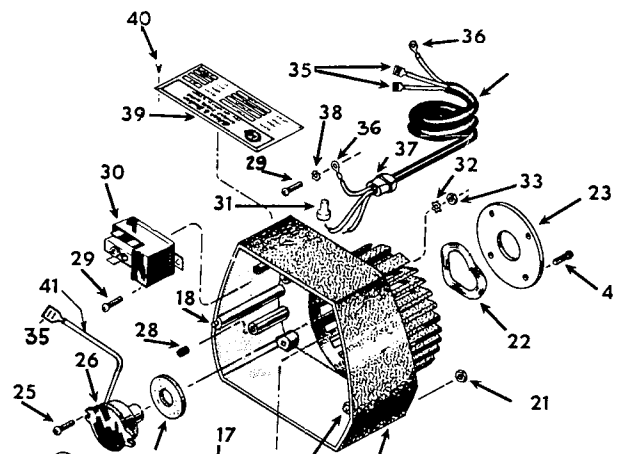


"A"

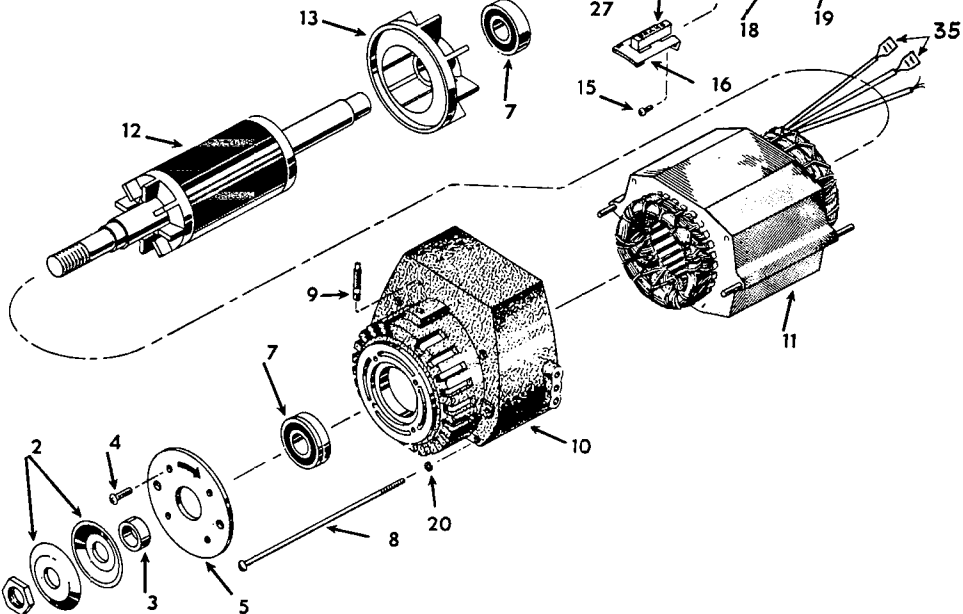




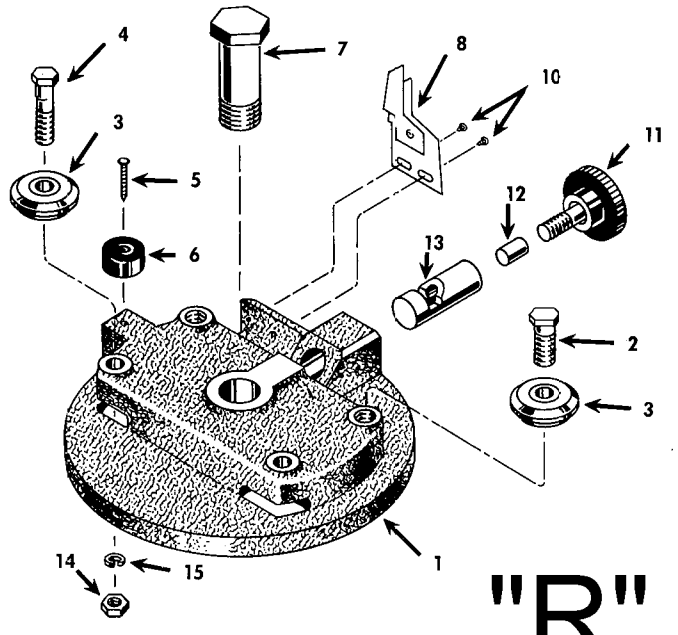
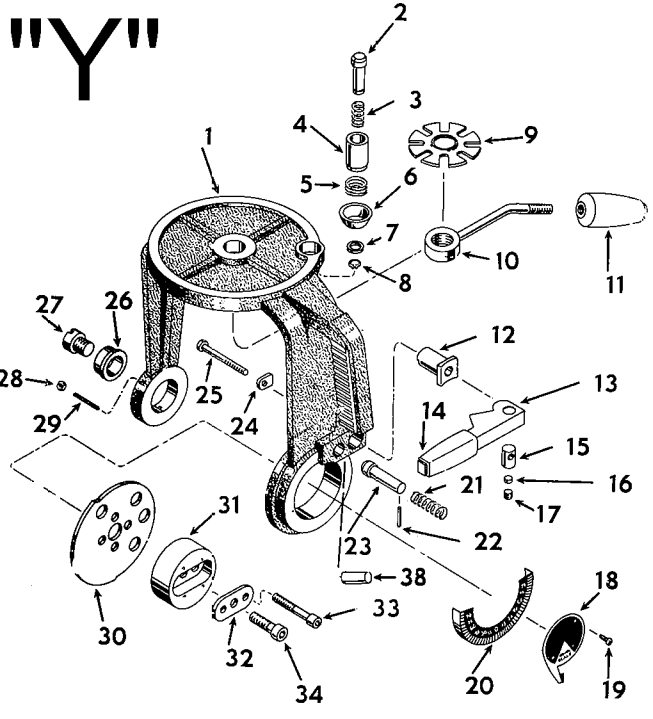
MOTOR WIRING



"M"



"Y"



"R"

Parts List for B7740 Type 4

| Item Number | Part Number | Description | Qty Required |
|-------------|-------------|---------------------|--------------|
| 1 | 000000-00 | No Longer Available | 1 |
| 2 | 000000-00 | No Longer Available | 1 |
| 3 | 000000-00 | No Longer Available | 1 |
| 4 | 000000-00 | No Longer Available | 1 |
| 5 | 000000-00 | No Longer Available | 1 |
| 6 | 000000-00 | No Longer Available | 1 |
| 7 | 000000-00 | No Longer Available | 1 |
| 8 | 000000-00 | No Longer Available | 1 |
| 9 | 000000-00 | No Longer Available | 1 |
| 10 | 000000-00 | No Longer Available | 1 |
| 11 | 000000-00 | No Longer Available | 1 |
| 11 | 000000-00 | No Longer Available | 1 |
| 12 | 000000-00 | No Longer Available | 1 |
| 13 | 000000-00 | No Longer Available | 2 |
| 15 | 000000-00 | No Longer Available | 3 |
| 16 | 000000-00 | No Longer Available | 1 |
| 17 | 000000-00 | No Longer Available | 1 |
| 18 | 000000-00 | No Longer Available | 1 |
| 19 | 000000-00 | No Longer Available | 1 |
| 20 | 000000-00 | No Longer Available | 1 |
| 21 | 000000-00 | No Longer Available | 1 |
| 22 | 000000-00 | No Longer Available | 1 |
| 101 | 000000-00 | No Longer Available | 1 |
| 102 | 000000-00 | No Longer Available | 1 |
| 103 | 000000-00 | No Longer Available | 1 |
| 104 | 000000-00 | No Longer Available | 1 |
| 105 | 000000-00 | No Longer Available | 2 |

Parts List for B7740 Type 4

| Item Number | Part Number | Description | Qty Required |
|-------------|-------------|---------------------|--------------|
| 106 | 000000-00 | No Longer Available | 1 |
| 107 | 000000-00 | No Longer Available | 1 |
| 108 | 000000-00 | No Longer Available | 4 |
| 109 | 000000-00 | No Longer Available | 1 |
| 110 | 000000-00 | No Longer Available | 1 |
| 111 | 099389-06 | WASHER | 2 |
| 112 | 000000-00 | No Longer Available | 1 |
| 113 | 000000-00 | No Longer Available | 1 |
| 114 | 000000-00 | No Longer Available | 1 |
| 115 | 000000-00 | No Longer Available | 1 |
| 116 | 000000-00 | No Longer Available | 1 |
| 117 | 000000-00 | No Longer Available | 1 |
| 118 | 000000-00 | No Longer Available | 1 |
| 201 | 000000-00 | No Longer Available | 1 |
| 202 | 000000-00 | No Longer Available | 1 |
| 203 | 000000-00 | No Longer Available | 1 |
| 204 | 000000-00 | No Longer Available | 1 |
| 205 | 000000-00 | No Longer Available | 1 |
| 206 | 000000-00 | No Longer Available | 1 |
| 207 | 000000-00 | No Longer Available | 1 |
| 208 | 81273-00 | BELT | 1 |
| 209 | 000000-00 | No Longer Available | 1 |
| 210 | 000000-00 | No Longer Available | 3 |
| 211 | 000000-00 | No Longer Available | 1 |
| 212 | 000000-00 | No Longer Available | 5 |
| 213 | 000000-00 | No Longer Available | 1 |
| 214 | 000000-00 | No Longer Available | 1 |

Parts List for B7740 Type 4

| Item Number | Part Number | Description | Qty Required |
|-------------|-------------|---------------------|--------------|
| 215 | 000000-00 | No Longer Available | 1 |
| 216 | 000000-00 | No Longer Available | 1 |
| 217 | 000000-00 | No Longer Available | 1 |
| 218 | 000000-00 | No Longer Available | 1 |
| 219 | 000000-00 | No Longer Available | 1 |
| 220 | 000000-00 | No Longer Available | 1 |
| 221 | 000000-00 | No Longer Available | 1 |
| 222 | 330016-07 | WASHER | 2 |
| 223 | 000000-00 | No Longer Available | 1 |
| 224 | 000000-00 | No Longer Available | 1 |
| 225 | 000000-00 | No Longer Available | 11 |
| 226 | 000000-00 | No Longer Available | 1 |
| 227 | 000000-00 | No Longer Available | 2 |
| 228 | 000000-00 | No Longer Available | 1 |
| 229 | 000000-00 | No Longer Available | 1 |
| 230 | 000000-00 | No Longer Available | 1 |
| 231 | 000000-00 | No Longer Available | 2 |
| 232 | 000000-00 | No Longer Available | 1 |
| 233 | 000000-00 | No Longer Available | 1 |
| 234 | 683784 | TERMINAL | 3 |
| 234 | 444518-98 | CORD/10FT./16-3 | 1 |
| 235 | 000000-00 | No Longer Available | 2 |
| 236 | 000000-00 | No Longer Available | 2 |
| 237 | 849314 | TERM | 3 |
| 238 | 000000-00 | No Longer Available | 1 |
| 239 | 000000-00 | No Longer Available | 1 |
| 240 | 000000-00 | No Longer Available | 1 |

Parts List for B7740 Type 4

| Item Number | Part Number | Description | Qty Required |
|-------------|-------------|---------------------|--------------|
| 241 | 000000-00 | No Longer Available | 1 |
| 242 | 000000-00 | No Longer Available | 1 |
| 243 | 000000-00 | No Longer Available | 1 |
| 244 | 000000-00 | No Longer Available | 1 |
| 245 | 000000-00 | No Longer Available | 1 |
| 246 | 000000-00 | No Longer Available | 1 |
| 247 | 000000-00 | No Longer Available | 2 |
| 248 | 000000-00 | No Longer Available | 1 |
| 249 | 000000-00 | No Longer Available | 1 |
| 250 | 000000-00 | No Longer Available | 1 |
| 251 | 000000-00 | No Longer Available | 1 |
| 252 | 000000-00 | No Longer Available | 1 |
| 253 | 000000-00 | No Longer Available | 1 |
| 254 | 000000-00 | No Longer Available | 2 |
| 255 | 000000-00 | No Longer Available | 1 |
| 256 | 000000-00 | No Longer Available | 1 |
| 257 | 000000-00 | No Longer Available | 1 |
| 258 | 000000-00 | No Longer Available | 1 |
| 259 | 000000-00 | No Longer Available | 1 |
| 260 | 000000-00 | No Longer Available | 1 |
| 262 | 000000-00 | No Longer Available | 1 |
| 263 | 000000-00 | No Longer Available | 1 |
| 301 | 000000-00 | No Longer Available | 1 |
| 302 | 000000-00 | No Longer Available | 1 |
| 303 | 000000-00 | No Longer Available | 1 |
| 304 | 000000-00 | No Longer Available | 1 |
| 305 | 000000-00 | No Longer Available | 2 |

Parts List for B7740 Type 4

| Item Number | Part Number | Description | Qty Required |
|-------------|-------------|---------------------|--------------|
| 306 | 000000-00 | No Longer Available | 1 |
| 307 | 000000-00 | No Longer Available | 1 |
| 308 | 000000-00 | No Longer Available | 1 |
| 309 | 000000-00 | No Longer Available | 1 |
| 310 | 000000-00 | No Longer Available | 1 |
| 311 | 000000-00 | No Longer Available | 1 |
| 312 | 000000-00 | No Longer Available | 1 |
| 313 | 000000-00 | No Longer Available | 1 |
| 314 | 000000-00 | No Longer Available | 1 |
| 315 | 000000-00 | No Longer Available | 1 |
| 316 | 000000-00 | No Longer Available | 1 |
| 401 | 000000-00 | No Longer Available | 1 |
| 402 | 000000-00 | No Longer Available | 1 |
| 403 | 000000-00 | No Longer Available | 1 |
| 404 | 000000-00 | No Longer Available | 1 |
| 405 | 000000-00 | No Longer Available | 1 |
| 406 | 000000-00 | No Longer Available | 1 |
| 407 | 000000-00 | No Longer Available | 1 |
| 408 | 000000-00 | No Longer Available | 1 |
| 409 | 000000-00 | No Longer Available | 1 |
| 410 | 000000-00 | No Longer Available | 1 |
| 411 | 000000-00 | No Longer Available | 1 |
| 412 | 000000-00 | No Longer Available | 1 |
| 413 | 000000-00 | No Longer Available | 1 |
| 414 | 098197-09 | LOCKWASHER | 2 |
| 501 | 000000-00 | No Longer Available | 1 |
| 502 | 000000-00 | No Longer Available | 1 |

Parts List for B7740 Type 4

| Item Number | Part Number | Description | Qty Required |
|-------------|-------------|---------------------|--------------|
| 503 | 000000-00 | No Longer Available | 1 |
| 504 | 000000-00 | No Longer Available | 1 |
| 505 | 000000-00 | No Longer Available | 1 |
| 506 | 000000-00 | No Longer Available | 1 |
| 507 | 000000-00 | No Longer Available | 1 |
| 508 | 000000-00 | No Longer Available | 1 |
| 509 | 000000-00 | No Longer Available | 1 |
| 510 | 000000-00 | No Longer Available | 1 |
| 511 | 000000-00 | No Longer Available | 1 |
| 512 | 000000-00 | No Longer Available | 1 |
| 513 | 000000-00 | No Longer Available | 1 |
| 514 | 000000-00 | No Longer Available | 1 |
| 515 | 000000-00 | No Longer Available | 1 |
| 516 | 000000-00 | No Longer Available | 1 |
| 517 | 000000-00 | No Longer Available | 1 |
| 518 | 000000-00 | No Longer Available | 1 |
| 519 | 000000-00 | No Longer Available | 2 |
| 520 | 000000-00 | No Longer Available | 1 |
| 521 | 000000-00 | No Longer Available | 1 |
| 522 | 000000-00 | No Longer Available | 1 |
| 523 | 000000-00 | No Longer Available | 1 |
| 524 | 000000-00 | No Longer Available | 1 |
| 525 | 000000-00 | No Longer Available | 1 |
| 526 | 000000-00 | No Longer Available | 1 |
| 527 | 000000-00 | No Longer Available | 1 |
| 528 | 000000-00 | No Longer Available | 1 |
| 529 | 000000-00 | No Longer Available | 1 |

Parts List for B7740 Type 4

| Item Number | Part Number | Description | Qty Required |
|-------------|-------------|---------------------|--------------|
| 530 | 000000-00 | No Longer Available | 1 |
| 531 | 000000-00 | No Longer Available | 1 |
| 532 | 000000-00 | No Longer Available | 1 |
| 533 | 000000-00 | No Longer Available | 1 |
| 534 | 000000-00 | No Longer Available | 1 |
| 535 | 000000-00 | No Longer Available | 1 |
| 601 | 000000-00 | No Longer Available | 1 |
| 602 | 000000-00 | No Longer Available | 2 |
| 603 | 000000-00 | No Longer Available | 1 |
| 604 | 000000-00 | No Longer Available | 1 |
| 605 | 000000-00 | No Longer Available | 1 |
| 606 | 605040-31 | BEARING, BALL | 2 |
| 607 | 000000-00 | No Longer Available | 1 |
| 608 | 000000-00 | No Longer Available | 1 |
| 609 | 000000-00 | No Longer Available | 1 |
| 610 | 000000-00 | No Longer Available | 1 |
| 611 | 000000-00 | No Longer Available | 1 |
| 612 | 000000-00 | No Longer Available | 1 |
| 613 | 000000-00 | No Longer Available | 1 |
| 614 | 000000-00 | No Longer Available | 1 |
| 615 | 000000-00 | No Longer Available | 1 |
| 616 | 000000-00 | No Longer Available | 1 |
| 617 | 000000-00 | No Longer Available | 1 |
| 618 | 000000-00 | No Longer Available | 1 |
| 619 | 000000-00 | No Longer Available | 4 |
| 620 | 000000-00 | No Longer Available | 1 |
| 621 | 000000-00 | No Longer Available | 1 |

Parts List for B7740 Type 4

| Item Number | Part Number | Description | Qty Required |
|-------------|-------------|---------------------|--------------|
| 622 | 158472-00 | SCREW | 2 |
| 623 | 000000-00 | No Longer Available | 1 |
| 624 | 000000-00 | No Longer Available | 1 |
| 625 | 033055-00 | PLUG | 2 |
| 626 | 055206-00 | SCREW | 3 |
| 627 | 000000-00 | No Longer Available | 1 |
| 628 | 046629-01 | CONNECTOR | 1 |
| 629 | 000000-00 | No Longer Available | 1 |
| 630 | 000000-00 | No Longer Available | 2 |
| 632 | 000000-00 | No Longer Available | 1 |
| 633 | 849314 | TERM | 1 |
| 634 | 000000-00 | No Longer Available | 1 |
| 635 | 000000-00 | No Longer Available | 1 |
| 636 | 000000-00 | No Longer Available | 1 |
| 637 | 000000-00 | No Longer Available | 4 |
| 638 | 000000-00 | No Longer Available | 1 |