


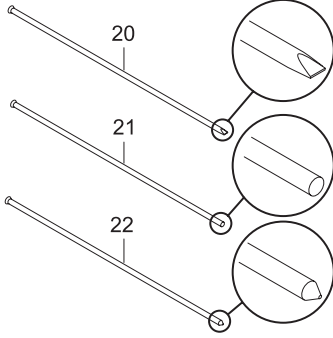
Item	Part No	Description		Qty
1	113.521	Body (cylinder)	B18	1
"	113.522	Body (cylinder)	B19	1
2	143.523	Piston	B18	1
"	143.524	Piston	B19	1
3	250.512	Tube, straight front	B18M	1
"	250.518	Tube, straight front	B19M	1
4	250.513	Anvil	B18	1
"	250.516	Anvil	B19	1
5	250.514	Needle holder Ø 3 mm	B18M	1
"	250.517	Needle holder Ø 3 mm	B19M	1
"	303.516	Handle	B18	1
"	303.517	Handle	B19	1
7	321.574	Throttle lever		1
8	395.518	valve body assembly		1
9		Needle chisel point	B18M	1
10	566.543	Intermediate tube	B19M	1
"	566.544	Intermediate tube	B18M	1
11	570.536	Grip		1
12	615.05	Screw M8x30		2

Item	Part No	Description		Qty
13	637.116	Pin, lever Ø3x24		1
14	399.745	Valve stem set (17-18)		1
15	658.420	O Ring	B18	1
"	658.242	O Ring	B19	1
16	658.241	O Ring	B18	1
"	658.243	O Ring	B19	1
17	658.239	O Ring		1
18	681.578	valve spring		1
19	681.579	Spring - compression	B18M	1
"	681.580	Spring - compression	B19M	1
		Name Plate		1

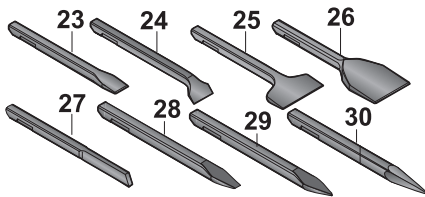
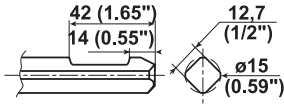
	6158727980	Warning Label		
	6159948780	Safety instructions		
	6159943800	Operator's manual		

**Accessories included**

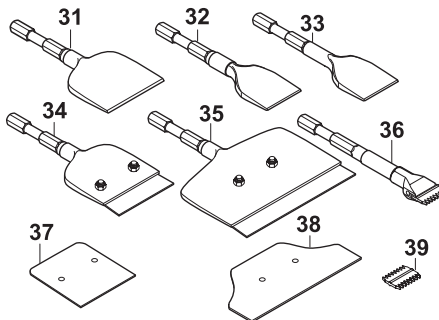
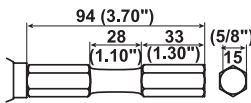

Item	Part No	Description	Qty
	6158020560	Hex. Key 6 mm (1/4")	1
	6155961050	1/4" air hose nipple for 10 mm (3/8") ID hose	1

**Optional accessories. Needle Sets. For all models**


Item	Part No	Description	Qty
20	6153998190	Chisel tip needles, Ø 3 mm (1/8"), length 178 mm (7") (Qty 100)	1
21	6153998160	Flat tip needles, Ø 2 mm (5/64"), length 178 mm (7") (Qty 100)	1
21	6153998170	Flat tip needles, Ø 3 mm (1/8"), length 178 mm (7") (Qty 100)	1
21	6153998180	Flat tip needles, Ø 4 mm (5/32"), length 178 mm (7") (Qty 100)	1
22	6153998210	Pointed tip needles, Ø 3 mm (1/8"), length 178 mm (7") (Qty 100)	1
22	6153998220	Pointed tip needles, Ø 4 mm (5/32"), length 178 mm (7") (Qty 100)	1

**Optional accessories Chisel Scalers : ISO 1/2" Square Shank Chisels**


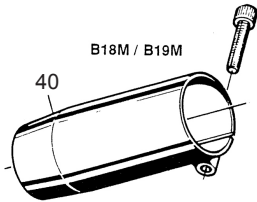
Item	Part No	Description	Qty
23	6158044430	Chisel 1/2", 7" (180 mm) long x 3/4" (19 mm) wide	1
24	6158044440	Angle chisel, 7" (180 mm) long x 1 3/8" (35 mm) wide	1
25	6158044450	Chisel 1/2", 7" (180 mm) long x 3 23/64" (60 mm) wide	1
26	6150039000	Spark-resistant chisel width 1 31/32" (50mm) wide	1
27	6158040620	Chisel, 7" (180 mm) long x 1/4" (6 mm) wide for brick joints	1
28	P073225	Flat chisel, 1 5/8" (15,9 mm) face, length 7 1/2" (191 mm)	1
28	P072213	Flat chisel, 1 3/8" (35 mm) face, length 4" (102 mm)	1
28	P084175	Flat chisel, 1 3/8" (35 mm) face, length 9" (229 mm)	1
28	P084176	Flat chisel, 1 3/8" (35 mm) face, length 12" (305 mm)	1
28	P084177	Flat chisel, 1 3/8" (35 mm) face, length 18" (457 mm)	1
28	P070982	Flat chisel, 44 mm face, length 5 3/8" (213 mm)	1
29	P073224	Cape 1/4" (6,4 mm) face, length 7 1/2" (191 mm)	1
30	P073223	Diamond Pt. 1/4" (6,4 mm) face, length 7 1/2" (191 mm)	1

**Optional accessories Hexagonal Shank 5/8" Chisels (B19B1)**


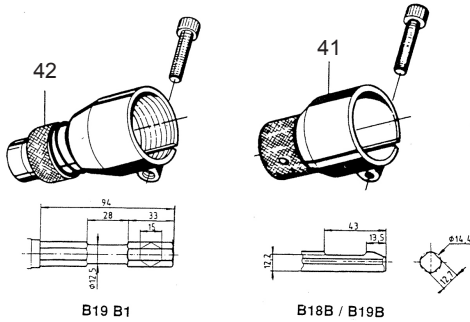
Item	Part No	Description	Qty
31	6158044410	Chisel, width 100 mm (3 15/16"), length 180 mm (7")	1
32	6158044420	Chisel, width 50 mm (1 31/32"), length 180 mm (7")	1
33	6150029000	Spark-resistant chisel, width 50 mm (1 31/32")	1
34	6150029010	Scaling tool, width 100 mm (3 15/16")	1
35	6150029020	Scaling tool, width 200 mm (7 7/8")	1
36	6150029030	Holder, comb-type chisel, width 38 mm (1 1/2"), length 180 mm (7")	1
37	6152505270	Spare blade, width 100 mm (3 15/16") (Qty 5)	1
38	6152505280	Spare blade, width 200 mm (7 7/8") (Qty 5)	1
39	6152505390	Comb, width 38 mm (1 1/2")	1

**Conversion to a chisel Hammer**

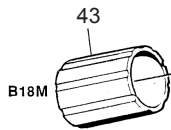
Take out the intermediate casing (10) together with parts (19 - 5 - 9 and 4).  
 In place of intermediate casing, fit the tool retaining sleeve (41 or 42) on the cylinder (1).

**Optional accessories**


Item	Part No	Description	Qty
40	6152505150	Round adjustable sleeve B18M	1
"	6152505190	Round adjustable sleeve B19M	1



Item	Part No	Description	Qty
41	6152505250	Chisel Holder Assembly B18B (1/2")	1
"	6152505380	Chisel Holder Assembly B19B (1/2")	1
42	6152505260	Chisel Holder Assembly B19B1 (5/8")	1



Item	Part No	Description	Qty
43	6152505320	Needle holder Ø 2 mm B18M(5/64") 51 Needles	1
"	6152505330	Needle holder Ø 4 mm B19M(5/32") 19 Needles	1
"	6152505430	Needle holder Ø 2 mm B19M (5/64") 65 Needles	1