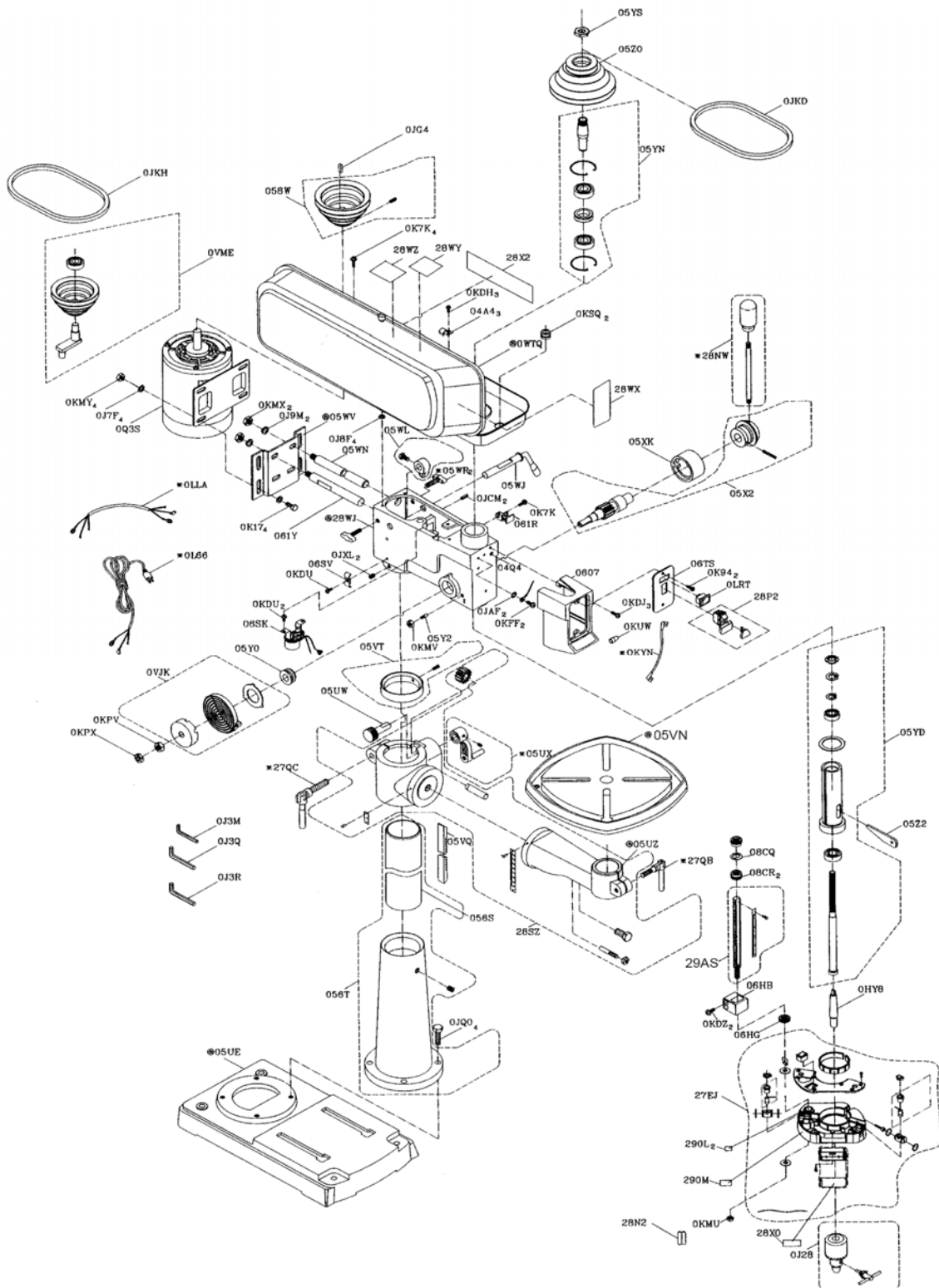


HITACHI

ELECTRIC TOOL PARTS LIST

STATIONARY DRILL PRESS
Model B 16RM

2005 • 05 • 12
(E1)



Parts List

B16RM

Item #	Code #	DESCRIPTION	NO USED	Remarks
04A4	726359	CLAMP-CORD	3	
04Q4	726360	STICKER	1	
056T	726361	COLUMN ASS'Y	1	
058W	726362	MOTOR PULLEY ASS'Y	1	
05UE	726363	BASE	1	
05UW	726303	WORM	1	
05UX	726364	CRANK HANDLE ASS'Y	1	
05VQ	726366	RACK	1	
05VT	726367	RACK RING ASS'Y	1	
05WJ	726368	HANDLE SHIFTER	1	
05WL	726369	MOTOR BAR SHIFTER ASS'Y	1	
05WN	726370	MOTOR ROD	1	
05WR	726371	SHIFTER BOLT	2	
05WV	726372	MOTOR BASE	1	
05X2	726373	FEED SHAFT ASS'Y	1	
05XK	726374	SCALE RING	1	
05Y0	726375	SHAFT SEAT	1	
05Y2	726377	QUILL SET SCREW	1	
05YD	726378	SPINDLE ASS'Y	1	
05YN	726379	DRIVING SLEEVE ASS'Y	1	
05YS	726380	PULLEY SET NUT	1	
05VN	726365	TABLE	1	
05Z0	726381	SPINDLE PULLEY	1	
05Z2	726382	WEDGE SHIFTER	1	
0607	726323	SWITCH BOX	1	
061R	726383	CHUCK KEY HOLDER	1	
061Y	726384	MOTOR ROD	1	
06HB	726385	PLUNGER HOUSING	1	
06HG	726386	CIRCULAR NUT	1	
06SK	726387	BULB SOCKET ASS'Y	1	
06SV	726388	CLAMP-CORD	1	
06TS	726389	SWITCH COVER	1	
08CQ	726432	WASHER	1	
08CR	726433	NUT M16*2.0	2	
0HY8	726470	DRILLING ARBOR MT2*JT3	1	
0J28	726471	CHUCK & KEY RJ3-16L	1	
0J3M	726472	WRENCH HEX. 3-57	1	
0J3Q	726474	WRENCH HEX. 5-70	1	
0J3R	726475	WRENCH HEX. 6-83	1	
0J7F	726493	FLAT WASHER 5/16*7/8-5/64	4	
0J8F	726496	FLAT WASHER 1/4*3/4-3/16	4	
0J9M	726499	SPRING WASHER 1/2"	2	
0JAF	726502	EXTERNAL TOOTH LOCK WASHER 5	2	
0JCM	726509	SPRING PIN 6-25	2	
0JG4	726516	PARALLEL KEY 5*5-20	1	
0JKD	726520	V-BELT M-25	1	
0JKH	726521	V-BELT M-26	1	
0JQ0	726528	HEX. HD. BOLT M10*1.5-40	4	
0JXL	726535	HEX. SOC. SET SCREW M10*1.5-12	2	
0K17	726321	HEX. HD. SCREW AND WASHER M8*1.25-20	4	

Parts List**B16RM**

Item #	Code #	DESCRIPTION	NO USED	Remarks
0K7K	726557	CR. RE. ROUND WASHER HD. SCREW M6*1.0-12	5	
0K94	726564	CR. RE. TRUSS HD. TAPPING SCREW M5*12-16	2	
0KDH	726579	CR. RE. PAN HD. SCREW M5*0.8-8	3	
0KDJ	726580	CR. RE. PAN HD. SCREW M5*0.8-12	3	
0KDU	726582	CR. RE. PAN HD. SCREW M6*1.0-12	3	
0KDZ	726583	CR. RE. PAN HD. SCREW M6*1.0-35	2	
0KFF	726586	CR. RE. PAN HD. SCREW M5*0.8-8	2	
0KMU	726599	HEX. NUT M10*1.5 T=8	1	
0KMV	726600	HEX. NUT M10*1.5 T=8	1	
0KMX	726602	HEX. NUT M12*1.75 T=10	2	
0KMY	726603	HEX. NUT M8*1.25 , T=6.5	4	
0KPV	726608	HEX. NUT 1/2*20UNF T=10	1	
0KPX	726609	HEX. NUT 1/2*20UNF T=6.5	1	
0KSQ	726624	STRAIN RELIEF	2	
0KUW	726627	TERMINAL	1	
0KYN	726629	LEAD WIRE ASS'Y	1	
0L66	726630	POWER CABLE	1	
0LLA	726631	MOTOR WIRE	1	
0LRT	726634	ROCKER SWITCH	1	
0Q3S	726638	MOTOR	1	
0VJK	726645	PLATE SPRING ASS'Y	1	
0VME	726646	CENTER PULLEY ASS'Y	1	
0WTQ	726647	PULLEY COVER ASS'Y	1	
27EJ	726771	LASER ASS'Y	1	
27QB	726776	TABLE LOCK HANDLE M10*1.5-25	1	
27QC	726777	COLUMN LOCK HANDLE M12*1.75-35	1	
28N2	726322	BATTERY ASSEMBLY	1	
28NW	726810	HANDLE BAR ASS'Y	1	
28P2	726811	ROCKER SWITCH	1	
28SZ	726821	TABLE BRACKET ASS'Y	1	
28YQ	726862	HEAD ASS'Y	1	
28WX	726856	TRADE-MARK LABEL	1	
28WZ	726858	WARNING LABEL	1	
28X0	726859	LASER LABEL	1	
28X2	726860	LABEL	1	
28WY	726857	LABEL	1	
290L	726865	LASER LABEL	2	
290M	726866	CAUTION LABEL	1	
29AS	726641	SET BOLT ASS'Y	1	
	726300	FENCE		
	726304	4" VISE		
	726305	5" VISE		