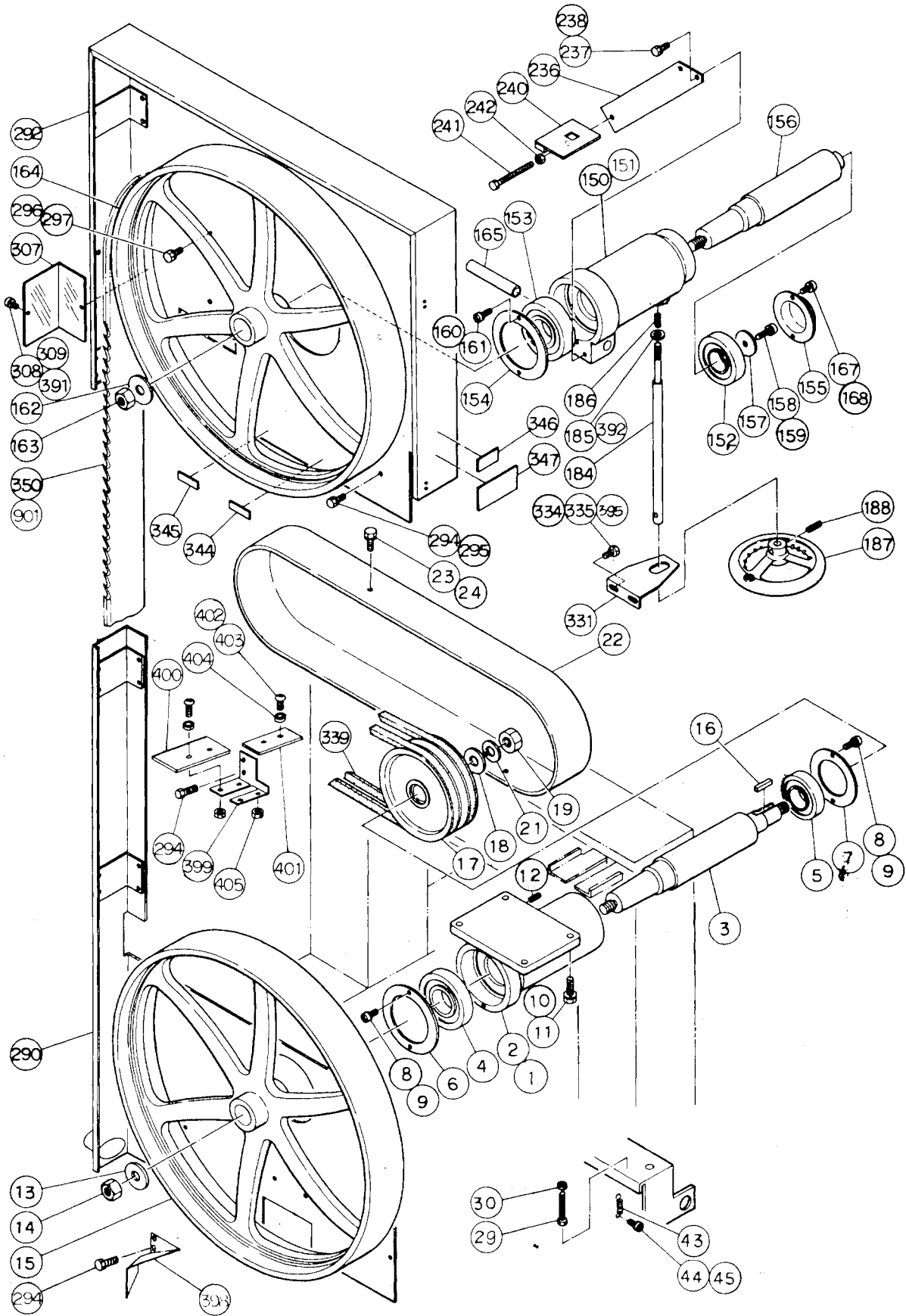


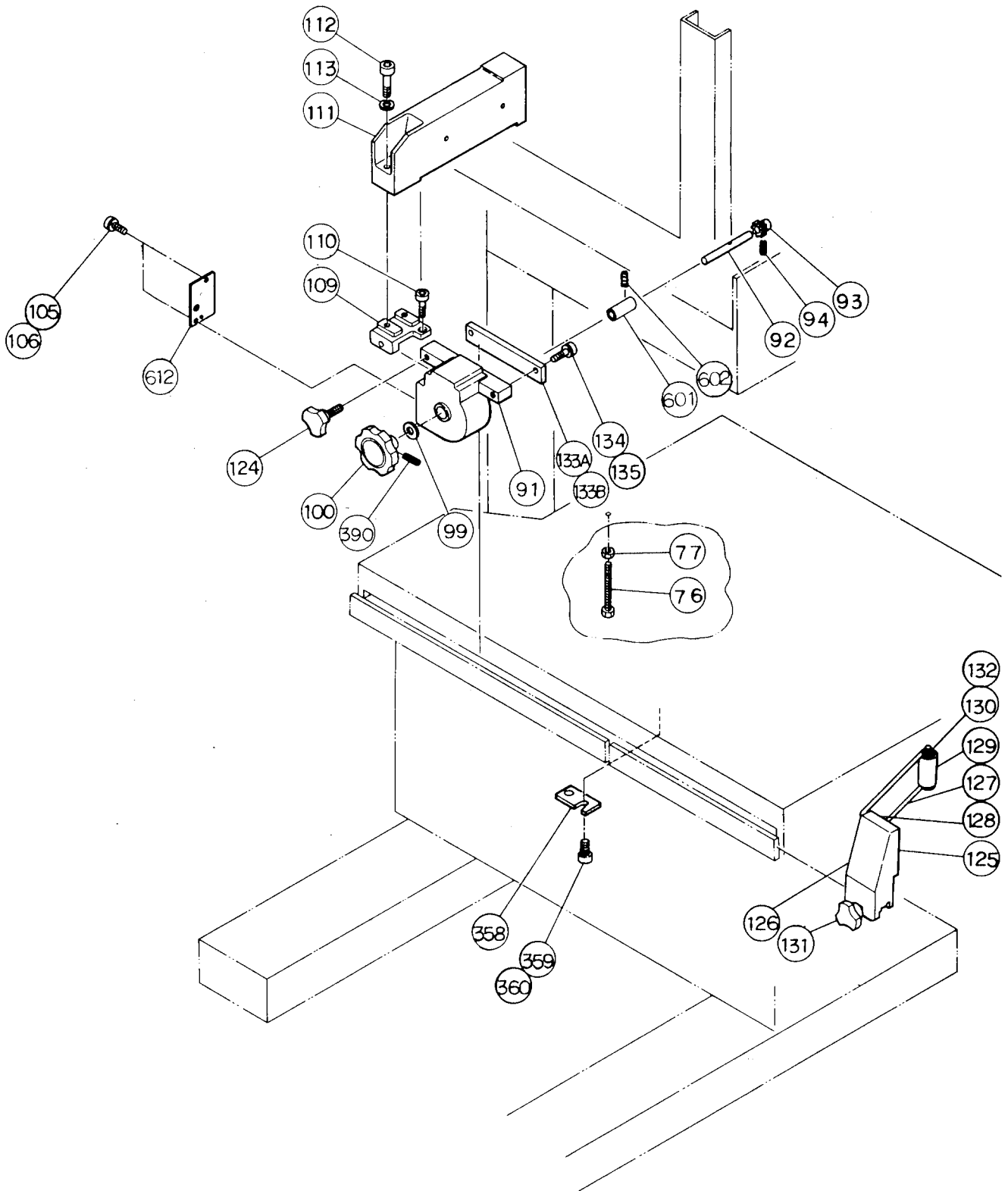


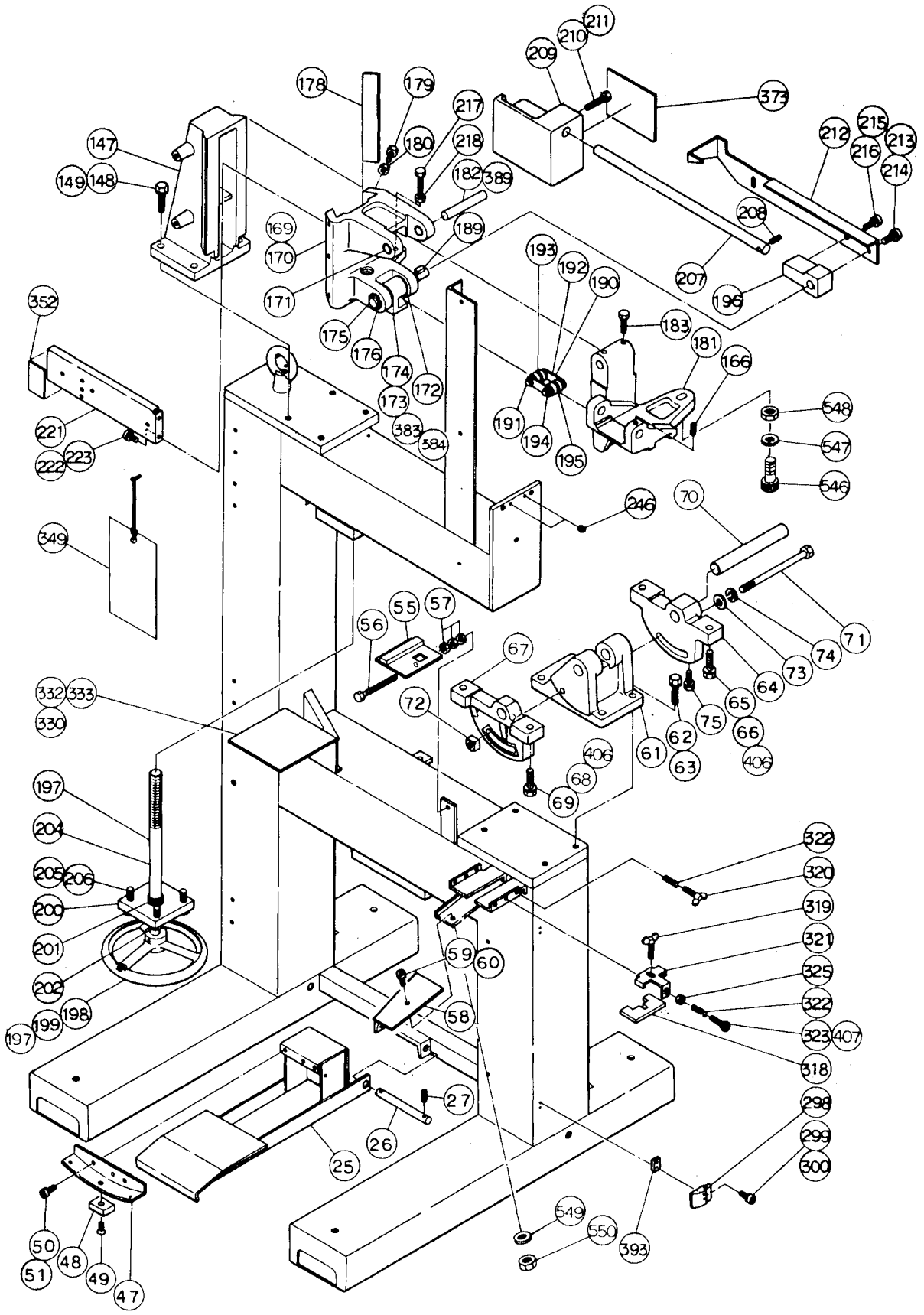
ELECTRIC TOOL PARTS LIST

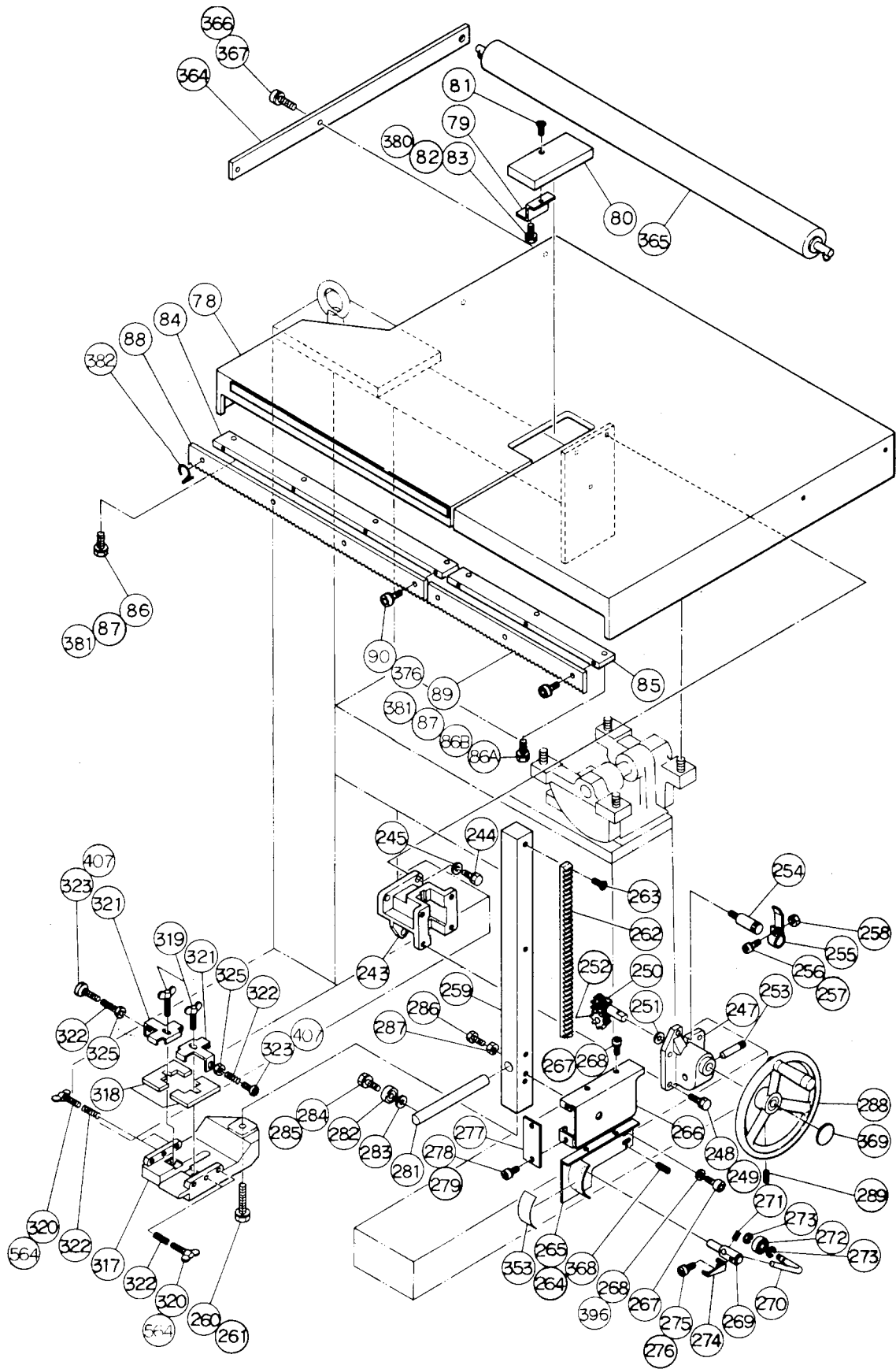
BAND SAW
Type B-1000

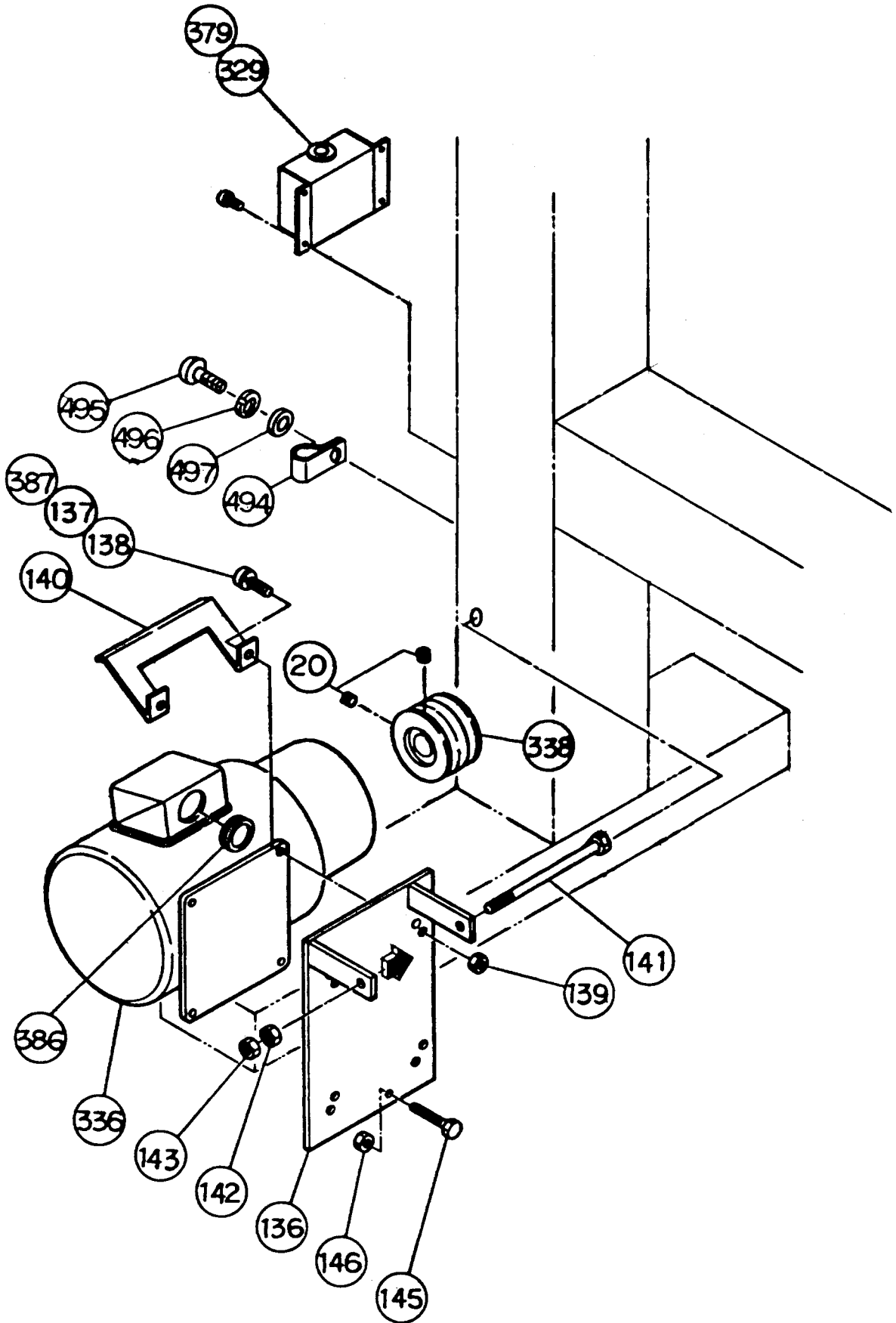
1983·5·1
B-1000(E1)

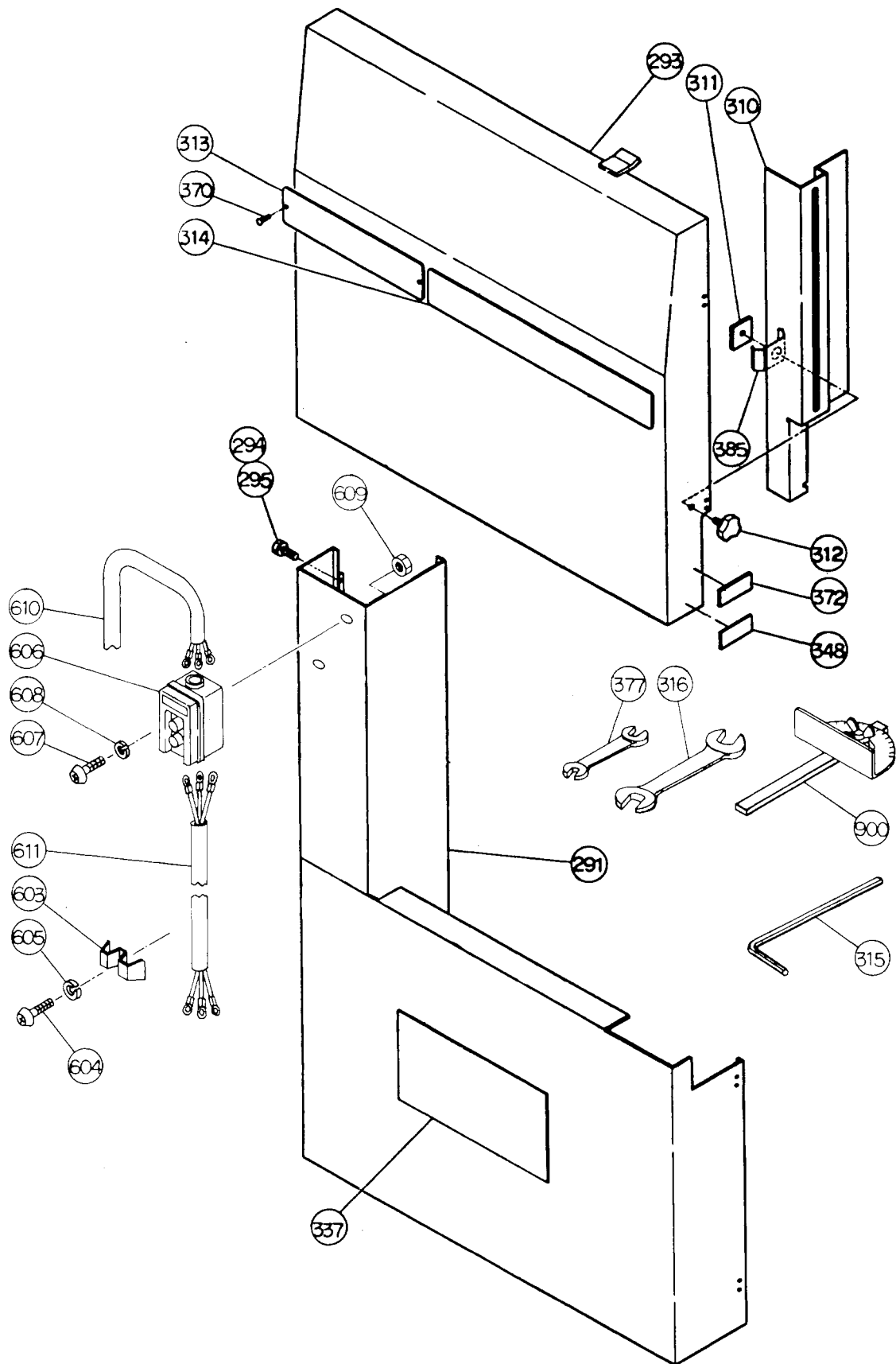












PARTS

B-1000(E1)

Item No.	Code No.	Parts Name	Q'ty	Remarks
1	974102	Casing Ass'y	1	includ. 2, 3, 4, 5, 6, 7, 8, 9
2	—	Casing (A)	1	
3	—	Saw Shaft (A)	1	
4	—	Roller Bearing (6310ZZ)	1	
5	—	Roller Bearing (6308ZZ)	1	
6	974103	Bearing Cover (A)	1	
7	974104	Bearing Cover (B)	1	
8	949256Z	⊕ Hd. Machine Screw M6 x 16	4	(10 pcs.)
9	949455Z	Spring Lock Washer	4	for M6 (10 pcs.)
10	967007	Bolt M12 x 40	4	
11	949463Z	Spring Lock Washer	4	for M12 (10 pcs.)
12	948301	Spring Pin 8 x 20	2	
13	965715	Washer (B)	1	
14	948510	Left Nut M20	1	
15	974105	Saw Wheel	1	
16	965797	Feather Key 10 x 8 x 35	1	
17	974106	Pulley (D)	1	
18	965715	Washer (B)	1	
19	948530	Nut M20	1	
20	968247	Hexagon Socket Set Screw M6 x 10	2	
21	949745Z	Spring Lock Washer	1	for M20 (10 pcs.)
22	974108	Belt Cover	1	
23	949610Z	Bolt M6 x 10	3	(10 pcs.)
24	949455Z	Spring Lock Washer	3	for M6 (10 pcs.)
25	974109	Brake Pedal	1	
26	974110	Brake Shaft	1	
27	949681Z	Spring Pin 5 x 25	2	
29	949607Z	Bolt M6 x 30	1	(10 pcs.)
30	949556Z	Nut M6	1	(10 pcs.)
43	965779	Brake Spring	2	
44	949256Z	⊕ Hd. Machine Screw M6 x 16	4	(10 pcs.)
45	949455Z	Spring Lock Washer	4	for M6 (10 pcs.)
47	974112	Lining Holder	1	
48	974113	Brake Lining	3	
49	949331Z	⊕ Hd. Machine Screw M5 x 10	3	(10 pcs.)
50	949255Z	⊕ Hd. Machine Screw M6 x 12	3	(10 pcs.)
51	949455Z	Spring Lock Washer	3	for M6 (10 pcs.)
55	974116	Duster	1	
56	967104	Screw (D)	1	
57	949568Z	Nut M8	3	(10 pcs.)
58A	974117	Sawdust Thrower	1	(till 815065)
58B	974781	Sawdust Thrower	1	(since 915001)
59	949258Z	⊕ Hd. Machine Screw M6 x 20	2	(10 pcs.)
60	949455Z	Spring Lock Washer	2	for M6 (10 pcs.)
61	965745	Hinge (A)	1	
62	967007	Bolt M12 x 40	4	
63	949463Z	Spring Lock Washer	4	for M12 (10 pcs.)
64	974118	Hinge (B)	1	
65	967007	Bolt M12 x 40	2	
66	949463Z	Spring Lock Washer	2	for M12 (10 pcs.)
67	965747	Hinge (C)	1	
68	967007	Bolt M12 x 40	2	
69	949463Z	Spring Lock Washer	2	for M12 (10 pcs.)

PARTS

B-1000(E1)

Item No.	Code No.	Parts Name	Q'ty	Remarks
70	965748	Hinge Shaft	1	
71	974242	Bolt M12 x 180	1	
72	974119	Square Nut M12	1	
73	949439Z	Washer	1	for M12 (10 pcs.)
74	949463Z	Spring Lock Washer	1	for M12 (10 pcs.)
75	949613Z	Bolt M6 x 16	1	(10 pcs.)
76	966751	Bolt M12 x 100	1	
77	949561Z	Nut M12	1	(10 pcs.)
78	974120	Table	1	
79	974121	Table Plate	1	
80	974122	Blade Hole Plate	1	
81	949352Z	⊕ Hd. Machine Screw M5 x 25	1	(10 pcs.)
82	949624Z	Bolt M8 x 20	1	(10 pcs.)
83	949457Z	Spring Lock Washer	1	for M8 (10 pcs.)
84	974123	Rack Holder (A)	1	
85	974124	Rack Holder (B)	1	
86A	949624Z	Bolt M18 x 20	7	(till 615090) (10 pcs.)
86B	949656Z	Hexagon Socket Hd. Bolt M8 x 20	7	(since 715001) (10 pcs.)
87	949457Z	Spring Lock Washer	7	for M8 (10 pcs.)
88	974125	Rack (A)	1	
89	974126	Rack (B)	1	
90	949660Z	Hexagon Socket Hd. Bolt M6 x 20	7	(10 pcs.)
91	974127	Guide Holder (A)	1	
92	974128	Pinion Shaft	1	
93	974129	Pinion	1	
94	949753Z	Spring Pin 5 x 20	2	(10 pcs.)
99	949437Z	Washer	1	for M12 (10 pcs.)
100	974771	Knob	1	
105	949254Z	⊕ Hd. Machine Screw M6 x 10	2	(10 pcs.)
106	949455Z	Spring Lock Washer	2	for M6 (10 pcs.)
109	974135	Holder Base	1	
110	949760Z	Hexagon Socket Hd. Bolt M8 x 25	2	(10 pcs.)
111	975574	Guide	1	
112	931472	Hexagon Socket Hd. Bolt. M8 x 45	2	
113	949457Z	Spring Lock Washer	2	for M8 (10 pcs.)
124	074142	Knob (A)	2	
125	974143	Guide Spring Ass'y	1	includ. 126, 127, 128, 129, 130, 131, 132
126	974144	Guide Holder (B)	1	
127	974145	Guide Spring	2	
128	967469	Hexagon Socket Set Screw M6 x 6	2	
129	974146	Spring Roller	1	
130	949434Z	Washer	2	for M10 (10 pcs.)
131	965832	Knob (A)	1	
132	949150Z	E-Type Retaining Ring	2	for D10 Shaft (10 pcs.)
133A	974147	Guide Plate	1	
133B	974760	Guide Plate	1	(till 405065 since 405001)
134	949676Z	Bolt M6 x 20	2	(10 pcs.)
135	949455Z	Spring Lock Washer	2	for M6 (10 pcs.)
136	974150	Motor Base	1	
137	949639Z	Bolt M10 x 25	4	(10 pcs.)
138	949458Z	Spring Lock Washer	4	for M10 (10 pcs.)
139	949560Z	Nut M10	4	(10 pcs.)
140	974243	Motor Cover	1	

PARTS

B-1000(E1)

Item No.	Code No.	Parts Name	Q'ty	Remarks
141	974242	Bolt M12 x 180	1	
142	949574Z	Nut M12	1	(10 pcs.)
143	949561Z	Nut M12	1	(10 pcs.)
145	967786	Bolt	1	
146	959560Z	Nut M10	1	(10 pcs.)
147	965716	Slide Frame	1	
148	949672Z	Bolt M12 x 35	4	(10 pcs.)
149	949463Z	Spring Lock Washer	4	for M12 (10 pcs.)
150	974151	Gasing (B) Ass'y	1	includ. 151,152,153,154,155,156,157,158,159,160,161
151	—	Casing (B)	1	
152	939440	Ball Bearing (6307ZZCM)	1	
153	—	Ball Bearing (6310ZZCM)	1	
154	974103	Bearing Cover (A)	1	
155	974153	Bearing Cover (C)	1	
156	—	Saw Shaft (B)	1	
157	965724	Washer (A)	1	
158	949638Z	Bolt M10 x 20	1	(10 pcs.)
159	949458Z	Spring Lock Washer	1	for M10 (10 pcs.)
160	949256Z	⊕ Hd. Machine Screw M6 x 16	2	(10 pcs.)
161	949455Z	Spring Lock Washer	2	for M6 (10 pcs.)
162	965715	Washer (B)	1	
163	948510	Left Nut M20	1	
164	974105	Saw Wheel	1	
165	965725	Pin (A)	1	
166	968247	Hexagon Socket Set Screw M6 x 10	1	
167	949256Z	⊕ Hd. Machine Screw M6 x 16	2	(10 pcs.)
168	949455Z	Spring Lock Washer	2	for M6 (10 pcs.)
169	974155	Slider Ass'y	1	includ. 170, 171, 172, 173, 174, 175, 176
170	—	Slider	1	
171	—	Roller Bearing (HK2016)	2	
172	—	Roller Bearing (HK1816)	2	
173	974156	Bearing Holder	1	
174	965482	Feather Key 5 x 5 x 40	1	
175	974157	Shaft	1	
176	879066Z	C-Type Retaining Ring	2	for D20 shaft (10 pcs.)
178	974158	Liner	1	
179	949628Z	Bolt M8 x 30	3	(10 pcs.)
180	949558Z	Nut M8	3	(10 pcs.)
181	974159	Link	1	
182	974160	Pin (B)	1	
183	949676	Bolt M6 x 20	2	(10 pcs.)
184	974161	Knob Shaft	1	
185	936305	Washer (A)	1	
186	965342	Metal Spring (C)	1	
187	974253	Handle	1	
188	949746Z	Spring Pin 5 x 32	1	(10 pcs.)
189	966413	Feather Key 5 x 5 x 20	1	
190	974162	Bearing Shaft Ass'y	1	includ. 191, 192, 193, 194, 195
191	—	Bearing Shaft (A)	2	
192	—	Bearing Peace	2	
193	939435	Ball Bearing (6000ZZCM)	4	
194	949156Z	C-Type Retaining Ring	4	for D10 shaft (10 pcs.)
195	949445Z	Washer M10	6	(10 pcs.)

PARTS

B-1000(E1)

Item No.	Code No.	Parts Name	Q'ty	Remarks
196	974163	Shaft Holder	1	
197	974164	Handle (B) Ass'y	1	includ. 198, 199, 200, 201, 202, 203, 204
198	—	Handle (B)	1	
199	949746	Spring Pin 5 x 32	1	
200	—	Screw Holder	1	
201	939286	Ball Bearing (51103)	1	
202	—	Sleeve	1	
204	—	Feed Screw	1	
205	949695Z	Bolt M10 x 35	4	(10 pcs.)
206	949458Z	Spring Lock Washer	4	for M10 (10 pcs.)
207	974165	Shaft (B)	1	
208	949746Z	Spring Pin 5 x 32	1	(10 pcs.)
209	974166	Counter Weight	1	
210	949633Z	Bolt M8 x 50	1	(10 pcs.)
211	949558Z	Nut M8	1	(10 pcs.)
212	974167	Seale Arm	1	
213	949676Z	Bolt M6 x 20	1	(10 pcs.)
214	949455Z	Spring Lock Washer	1	for M6 (10 pcs.)
215	949254Z	⊕ Hd. Machine Screw M6 x 10	1	(10 pcs.)
216	949455Z	Spring Lock Washer	1	for M6 (10 pcs.)
217	949630Z	Bolt M8 x 40	1	(10 pcs.)
218	949558Z	Nut M8	1	(10 pcs.)
221	974168	Scale Plate	1	
222	949254Z	⊕ Hd. Machine Screw M6 x 10	2	(10 pcs.)
223	949455Z	Spring Lock Washer	2	for M6 (10 pcs.)
236	974172	Duster Arm	1	
237	949755Z	Hexagon Socket Hd. Bolt M6 x 16	2	(10 pcs.)
238	949455Z	Spring Lock Washer	2	for M6 (10 pcs.)
240	974173	Duster (B)	1	
241	967104	Screw (D)	1	
242	949568Z	Nut M8	3	(10 pcs.)
243	974174	Arm	1	
244	949626Z	Bolt M8 x 25	3	(10 pcs.)
245	949457Z	Spring Lock Washer	3	for M8 (10 pcs.)
246	968247	Hexagon Socket Set Screw M6 x 10	2	
247	965759	Gear Cover	1	
248	949626Z	Bolt M8 x 25	4	(10 pcs.)
249	949457Z	Spring Lock Washer	4	for M8 (10 pcs.)
250	932313	Worm	1	
251	932314	Washer	1	
252	932316	Gear	1	
253	932315	Gear Shaft	1	
254	974175	Lock Screw	1	
255	952407	Cramp Bar	1	
256	949258Z	⊕ Hd. Machine Screw M6 x 20	1	(10 pcs.)
257	949455Z	Spring Lock Washer	1	for M6 (10 pcs.)
258	949556Z	Nut M6	1	(10 pcs.)
259	974176	Positioner Shaft	1	
260	967007	Bolt M12 x 40	1	
261	949463Z	Spring Lock Washer	1	for M12 (10 pcs.)
262	965763	Pack (A)	1	
263	949334Z	⊕ Hd. Machine Screw M5 x 16	3	(10 pcs.)
264	974177	Indicator Cover Ass'y	1	includ. 265, 266, 267, 268, 269, 270, 271, 272, 273, 274, 275, 276, 278, 279

PARTS

B-1000(E1)

Item No.	Code No.	Parts Name	Q'ty	Remarks
265	—	Indicator Cover (A)	1	
266	—	Indicator Cover (B)	1	
267	956634	Hexagon Socket Set Screw M5 x 10	2	
268	949454Z	Spring Lock Washer	2	for M5 (10 pcs.)
269	—	Indicator Shaft (A)	1	
270	—	Indicator Shaft (B)	1	
271	968247	Hexagon Socket Set Screw M6 x 10	1	
272	939474	Ball Bearing (6301ZZCM)	1	
273	879059Z	C-Type Retaining Ring	2	for D12 Shaft (10 pcs.)
274	—	Indicator	1	
275	949254Z	⊕ Hd. Machine Screw M6 x 10	1	(10 pcs.)
276	949455Z	Spring Lock Washer	1	for M6 (10 pcs.)
277	974178	Polyvinyl Plate (A)	1	
278	949204Z	⊕ Hd. Machine Screw M3 x 10	2	(10 pcs.)
279	949451Z	Spring Lock Washer	2	for M3 (10 pcs.)
281	974180	Bearing Shaft	1	
282	939400	Ball Bearing (6202ZZCM)	1	
283	974789	W3/8 Washer	2	
284	949434Z	Spring Lock Washer	1	for M10 (10 pcs.)
285	949639Z	Bolt M10 x 25	1	(10 pcs.)
286	949676Z	Bolt M6 x 20	1	(10 pcs.)
287	949556Z	Nut M6	1	(10 pcs.)
288	974181	Handle (B)	1	
289	949746Z	Spring Pin 5 x 32	1	(10 pcs.)
290	974182	Cover (A)	1	
291	975570	Cover (F)	1	
292	974184	Cover (D)	1	
293A	974185	Cover (E)	1	(till 715030)
293B	974783	Cover (E)	1	(since 815001)
244	949613Z	Bolt M6 x 16	27	(10 pcs.)
295	949455Z	Spring Lock Washer	27	for M6 (10 pcs.)
296	949622Z	Bolt M8 x 16	1	(10 pcs.)
297	949457Z	Spring Lock Washer	1	for M8 (10 pcs.)
298	974186	Cramp	4	
299	949204Z	⊕ Hd. Machine Screw M3 x 10	16	(10 pcs.)
300	949451Z	Spring Lock Washer	16	for M3 (10 pcs.)
307	974189	Polyvinyl Cover	1	
308	949204Z	⊕ Hd. Machine Screw M3 x 10	4	(10 pcs.)
309	949451Z	Spring Lock Washer	4	for M3 (10 pcs.)
310A	974190	Safety Cover (B)	1	(till 715030)
310B	974785	Safety Cover (B)	1	(since 815001)
311A	974191	Safety Cover Plate	1	(till 715030)
311B	974784	Safety Cover	1	(since 815001)
312	966509	Knob (A)	1	(till 715030)
313	974193	Decoration Name Plate (A)	1	
314	974194	Decoration Name Plate (B)	1	
315	872422	Hexagon Bar Spanner	1	for M6
316	974254	Spanner 17 x 19	1	
317	974195	Positioner Base	1	
318	974196	Positioner	4	
319	949413Z	Wing Bolt M8 x 25	4	(10 pcs.)
320	949400Z	Wing Bolt M5 x 25	8	(10 pcs.)
321	974197	Positioner Holder	4	

PARTS

B-1000(E1)

Item No.	Code No.	Parts Name	Q'ty	Remarks
322	972143	Gauge Spring	12	
323	949245Z	⊕ Hd. Machine Screw M5 x 30	4	(10 pcs.)
325	949555Z	Nut M5	4	(10 pcs.)
329	967333	Terminal Box	1	
330	974201	Saw Wheel Cover	1	(till 005130 since 305001)
331	974202	Knob Shaft Stay	1	
332	949219Z	⊕ Hd. Machine Screw M4 x 16	2	(till 005130 since 305001) (10 pcs.)
383	949453Z	Spring Lock Washer	2	for M4 (till 005130 since 305001) (10 pcs.)
334	949613Z	Bolt M6 x 16	2	(10 pcs.)
335	949455Z	Spring Lock Washer	2	for M6 (10 pcs.)
336	—	Motor 3-phase	1	HITACHI MOTOR 2.2KW EFOUP-K 4P
336	—	Motor 3-phase	1	HITACHI MOTOR 3.7KW EFOUP-K 4P
337	—	Name Plate	1	for 2.2KW
337	—	Name Plate	1	for 3.7KW
338	974205	Pulley (C)	1	for 2.2KW
338	974206	Pulley (C)	1	for 3.7KW
339	974207	V-Belt (B63)	2	for 2.2KW
339	974208	V-Belt (B64)	2	for 3.7KW
341A	949204Z	⊕ Hd. Machine Screw M3 x 10	2	(till 615100)
341B	949202Z	⊕ Hd. Machine Screw M3 x 6	2	(since 715001)
342	949451Z	Spring Lock Washer	2	for M3
344	975571	Mark Plate (A)	1	
345	968331	Mark Plate (B)	1	
346	948578C	Caution Plate	1	
347	—	Caution Plate (A)	1	
348	—	Caution Plate (D)	1	
349	—	Caution Tag	1	
350	974100	Band Saw Blade (A)	1	
352	975572	Scale (B)	1	
353	975573	Blade Scale	1	
358	974244	Table Peace	1	
359	949760Z	Hexagon Socket Hd. Bolt M8 x 25	2	(10 pcs.)
360	949457Z	Spring Lock Washer	2	for M8 (10 pcs.)
364	974148	Roller Angle	2	
365	974149	Roller	1	
366	949698Z	Bolt M10 x 30	4	(10 pcs.)
367	949458Z	Spring Lock Washer	4	for M10 (10 pcs.)
368	949777Z	Spring Pin 5 x 12	2	(10 pcs.)
369	—	Caution Label (A)	1	
370	949317Z	⊕ Hd. Machine Screw M3 x 10	2	(10 pcs.)
372	—	Caution Plate (G)	1	(till 715030)
373	—	Caution Plate (I)	1	
376	949455Z	Spring Lock Washer	7	for M6 (10 pcs.)
377	972043	Spanner 10 x 13	1	
379	966607	Lead Wire (D)	1	
380	949426Z	Washer	1	for M8 (10 pcs.)
381	949426Z	Washer	1	for M8 (10 pcs.)
382	974755	Guide Stopper	1	
383	968247	Hexagon Socket Set Screw M6 x 10	1	
384	949685Z	Spring Pin 3 x 20	1	(10 pcs.)
385	974756	Cover Spring	1	(till 715030)
386	964637	Cord Armor	1	
387	949445Z	Washer	4	for M10, for 3.7KW (10 pcs.)

PARTS

B-1000(E1)

Item No.	Code No.	Parts Name	Q'ty	Remarks
389	974759	Collar (B)	1	
390	949681Z	Spring Pin	5 x 25	(10 pcs.)
391	949553Z	Nut	M3	(10 pcs.)
392	949437Z	Washer	1	for M12 (10 pcs.)
393	974761	Peace	1	
394	949431Z	Washer	2	for M5 (10 pcs.)
395	949432Z	Washer	2	for M6 (10 pcs.)
398	974767	Cover Place (A)	1	
399	974768	Cover Plate (A)	1	
400	974769	Rubber Packing (A)	1	
401	974770	Rubber Packing (B)	1	
402	949237Z	⊕ Hd. Machine Screw	M5 x 12	(10 pcs.)
403	949454Z	Spring Lock Washer	4	for M5 (10 pcs.)
404	949431Z	Washer	4	for M5 (10 pcs.)
405	949555Z	Nut	M5	(10 pcs.)
406	949437Z	Washer	4	for M12 (10 pcs.)
407	949424Z	Washer	4	for M5 (10 pcs.)
494	966049	Nylon Clip	1	
495	949216Z	⊕ Hd. Machine Screw	M4 x 10	(10 pcs.)
496	949453Z	Spring Lock Washer	1	for M4 (10 pcs.)
497	949429Z	Washer	1	for M4 (10 pcs.)
546	974780	Hexagon Socket Hd. Bolt	M12 x 80	
547	936305	Washer (A)	1	
548	949561Z	Nut	M12	
549	949432Z	Washer	2	for M6 (10 pcs.)
550	949556Z	Nut	M6	(10 pcs.)
551	949622Z	Bolt	M8 x 16	(10 pcs.)
552	949456Z	Spring Lock Washer	1	for M8 (10 pcs.)
553	949613Z	Bolt	M6 x 16	(10 pcs.)
554	949455Z	Spring Lock Washer	1	for M6 (10 pcs.)
555	949420Z	Wing Bolt	M5 x 20	(10 pcs.)
556	949431Z	Washer	2	for M5 (10 pcs.)
564	949431Z	Washer	4	for M5 (10 pcs.)
601	975575	Sleeve	1	
602	967469	Hexagon Socket Set Screw	M6 x 6	
603	965378	Cord Clip	2	
604	949216Z	Hd. Machine Screw	M4 x 10	(10 pcs.)
605	949453Z	Spring Lock Washer	2	for M4 (10 pcs.)
606	975578	Switch	1	
607	949241Z	⊕ Hd. Machine Screw	M5 x 20	(10 pcs.)
608	949454Z	Spring Lock Washer	2	for M5 (10 pcs.)
609	949555Z	Nut	M5	(10 pcs.)
610	975576	Cord (G)	1	
611	975577	Cord (H)	1	
612	—	Guide Holder Cover	1	

