



**BOSCH**

# Pn-Accu-Screwdriver

Angle Exac tION 15-500 | 3 602 D94 611

---

## Table of Content

|                          |   |
|--------------------------|---|
| Spare parts list.....    | 2 |
| Illustration - Type..... | 4 |

**Spare parts list**

| <b>Item</b> | <b>Part Number</b> | <b>Description</b>               | <b>Illustration</b> |
|-------------|--------------------|----------------------------------|---------------------|
| 10          | 3 601 099 004      | Switch Slide                     | 1                   |
| 11          | 3 609 202 B07      | Angle Flange                     | 1                   |
| 30          | 3 607 030 492      | Planetary Gear Train             | 1                   |
| 40          | 3 607 031 567      | Assembly kit                     | 1                   |
| 40/110      | 3 600 224 053      | Retaining ring                   | 1                   |
| 50          | 1 607 233 5JF      | Electronic Module                | 1                   |
| 52          | 1 607 233 516      | Indicator Plate                  | 1                   |
| 53          | 1 607 502 627      | Microswitch                      | 1                   |
| 54          | 1 607 502 626      | Light-Emitting-Diode             | 1                   |
| 55          | 1 609 280 477      | Compression Spring               | 1                   |
| 62          | 3 601 923 030      | Pusher                           | 1                   |
| 80          | 2 603 490 018      | Torx Oval-Head Screw 3x18        | 1                   |
| 91          | 1 607 A35 0M0      | Battery Pack GBA 18V 4.0Ah       | 1                   |
| 91          | 1 607 A35 0MA      | Battery Pack GBA 18V 2.0Ah       | 1                   |
| 100         | 3 608 872 557      | Protective Cap 25,4x25,4 MM LONG | 1                   |
| 101         | 3 606 445 043      | Clutch Element                   | 1                   |
| 102         | 3 603 124 023      | Output Shaft                     | 1                   |
| 109         | 3 604 619 020      | Compression Spring BLUE          | 1                   |
| 110         | 3 607 020 165      | Angle Screwdriver Head 3/8"      | 1                   |
| 115         | 3 601 023 011      | Sealing plate                    | 1                   |
| 116         | 3 600 134 014      | Setting Ring                     | 1                   |
| 117         | 1 600 101 023      | Plain Washer 0,5 MM THICK        | 1                   |
| 119         | 3 600 190 036      | Support Disc                     | 1                   |
| 120         | 3 603 344 047      | Catch Disk                       | 1                   |
| 127         | 1 903 230 006      | Ball DIN 5401-3,5 MM-III-ST      | 1                   |
| 128         | 1 903 230 008      | Ball 4,5 MM III DIN 5401-ST      | 1                   |
| 140         | 2 916 080 012      | Locking Washer DIN 6799-9-FSt    | 1                   |
| 653         | 2 607 225 321      | Charger EU 230/14,4-18V, 30 40 S | 1                   |
| 653         | 2 607 225 923      | Charger GB 230/10,8-18V, 30 42 S | 1                   |
| 657         | 3 607 950 027      | Screwdriver                      | 1                   |
| 658         | 3 601 376 007      | Single-Head Eng. Wrench          | 1                   |
| 659         | 3 601 923 017      | Suspension Loop                  | 1                   |
| 801         | 3 607 031 756      | Housing Assembly                 | 1                   |
| 802         | 3 607 031 827      | Motor assembly                   | 1                   |
| 803         | 3 607 031 758      | Sleeve assembly                  | 1                   |

**Spare parts list**

| <b>Item</b> | <b>Part Number</b> | <b>Description</b>            | <b>Illustration</b> |
|-------------|--------------------|-------------------------------|---------------------|
| 804         | 3 607 031 759      | Led-Holder                    | 1                   |
| 805         | 3 607 031 908      | Electronics Module            | 1                   |
| 806         | 3 607 031 909      | drive electronics             | 1                   |
| 807         | 3 607 031 762      | Switching Element             | 1                   |
| 809         | 3 607 031 884      | Switch                        | 1                   |
| 810         | 3 607 031 847      | Set Of Plates                 | 1                   |
| 811         | 1 600 A00 7U6      | Setting Ring                  | 1                   |
| 820         | 3 607 031 931      | usb stick                     | 1                   |
| 890         | 3 600 106 027      | Parts Set 5 PCE., BLACK       | 1                   |
| 890         | 3 600 106 028      | Parts Set 5 PCE., RED         | 1                   |
| 890         | 3 600 106 029      | Parts Set 5 PCE., LIGHT BLUE  | 1                   |
| 890         | 3 600 106 030      | Parts Set 5 PCE., LIGHT GREEN | 1                   |
| 890         | 3 600 106 031      | Parts Set 5 PCE., ORANGE      | 1                   |
| 890         | 3 600 106 032      | Parts Set 5 PCE., GREY        | 1                   |
| 890         | 3 600 106 033      | Parts Set 5 PCE., WHITE       | 1                   |
| 899         | 1 610 101 621      | Shim 0,1 MM THICK             | 1                   |
| 881         | 1 607 000 CM1      | Adapter Line                  | 2                   |
| 882         | 1 607 000 CM0      | Adapter Line                  | 2                   |

Illustration - Type - E

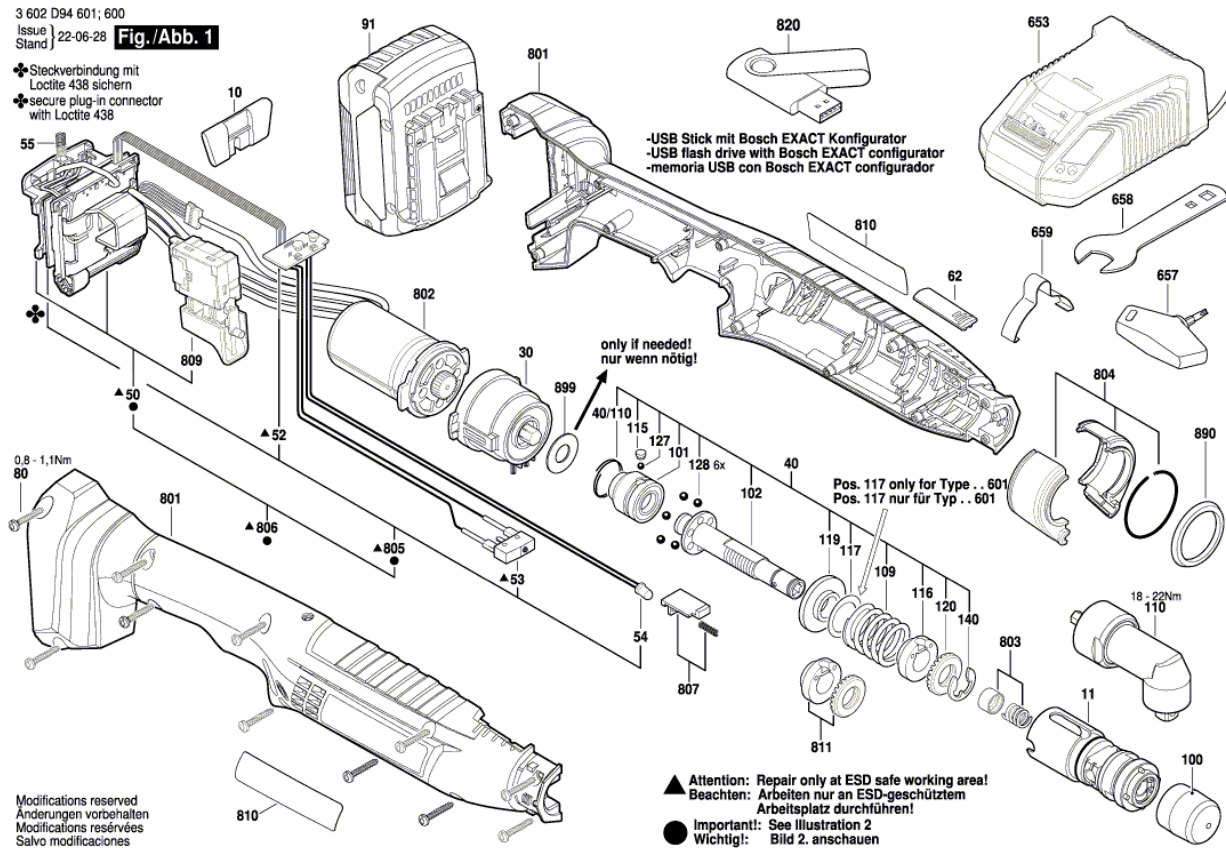


Illustration - Type - E

3 602 D94 601  
Issue |  
Stand |

18-08-13 **Fig./Abb. 2**

