



BOSCH

High Pressure Cleaner

AdvancedAquatak 2000 | 3 600 HA7 G10

Table of Content

Spare parts list.....	2
Illustration - Type.....	4

High Pressure Cleaner | AdvancedAquatak 2000 | 3 600 HA7 G10

Spare parts list

Item	Part Number	Description	Illustration
808	F 016 F05 271	Nameplate	1
809	F 016 F04 998	Warning Label	1
811	F 016 F05 273	front cover	1
812	F 016 F04 616	front cover	1
813	F 016 F04 617	front cover	1
820	F 016 F05 274	Cover	1
834	F 016 F05 104	Handle	1
836	F 016 F04 666	Hose Reel Carrier	1
837	F 016 F05 275	Foam Panel	1
838	F 016 F05 019	Foam Panel	1
841	F 016 F05 276	Foam Panel	1
844	F 016 F05 403	O-Ring Kit	1
849	F 016 F05 360	High-Pressure Hose 0,4m	1
859	F 016 F04 651	Connector	1
861	F 016 F04 972	Switch Box	1
862	F 016 F04 971	Power supply cord USA	1
863	F 016 F04 999	Switch Actuator	1
883	F 016 F04 667	High-Pressure Hose 8m	1
810	F 016 F04 810	Torx SH cap screw	2
821	F 016 F04 626	Cover	2
835	F 016 F04 649	Set Of Handles	2
801	F 016 F04 975	Motor	3
842	F 016 F05 637	O-Ring Ø 63 x 2,65 mm	3
843	F 016 F05 402	O-Ring	3
850	F 016 F04 459	O-Ring	3
851	F 016 F05 277	Pump head	3
852	F 016 F04 441	Piston Guide	3
853	F 016 F04 440	Pump unit	3
854	F 016 F05 023	Thrust Bearing	3
855	F 016 F04 447	Gear Box	3
856	F 016 F04 460	Non-Return Valve	3
858	F 016 F04 627	Pump Mounting	3
860	F 016 F05 278	Motor cover	3
888	F 016 F05 661	Water filter	3

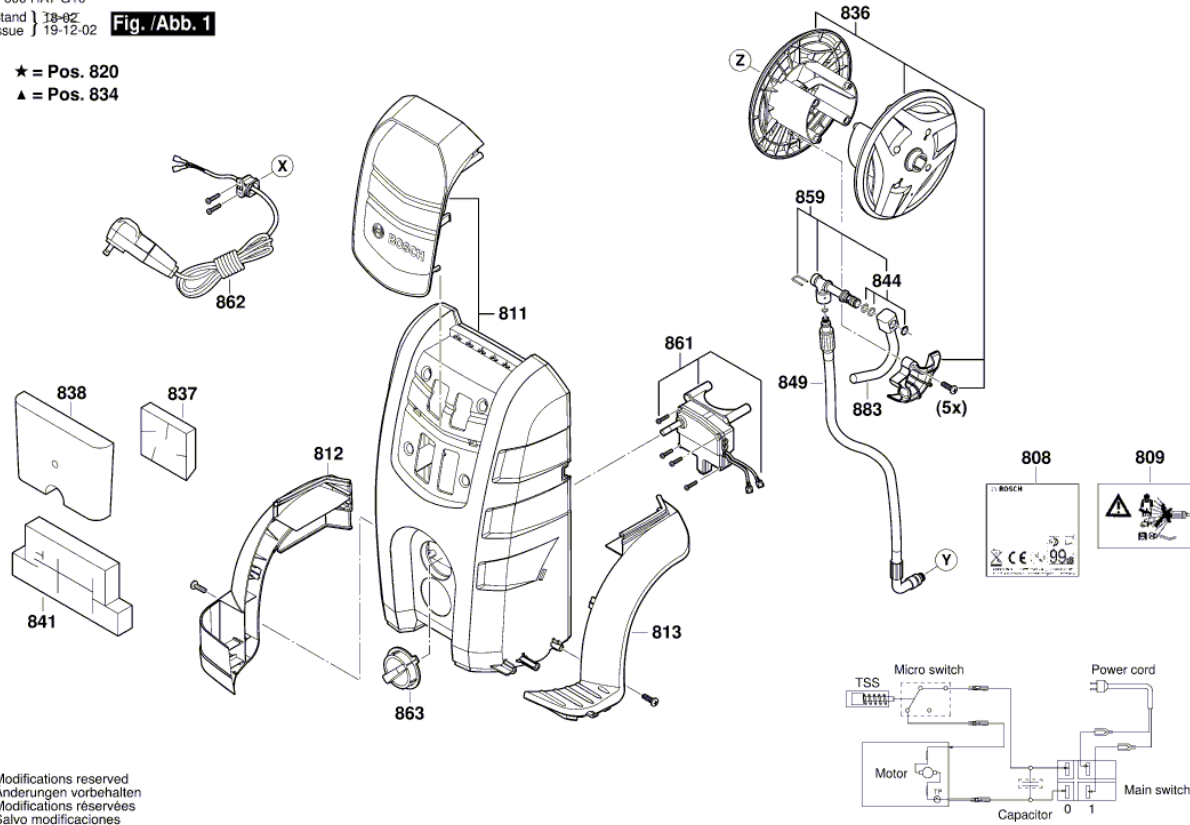
Spare parts list

Item	Part Number	Description	Illustration
870	F 016 F04 458	Seal Kit (7.x1.6) 2 x (5.3 x 1.6), 2 x (8x2), 2 x	4
871	F 016 F05 280	Trigger	4
872	F 016 F05 281	Lance	4
874	F 016 F05 406	Wide Angle Nozzle BLACK	4
875	F 016 F05 362	Nozzle WHITE	4
879	F 016 F05 279	Bottle	4
880	F 016 F05 020	High pressure foam nozzle RED	4
882	F 016 F05 052	Water filter	4
884	F 016 F05 429	Hose Coupling	4

Illustration - Type - E

3 600 HA7 G10
 Stand } 18-02
 Issue } 19-12-02 **Fig. /Abb. 1**

★ = Pos. 820
 ▲ = Pos. 834

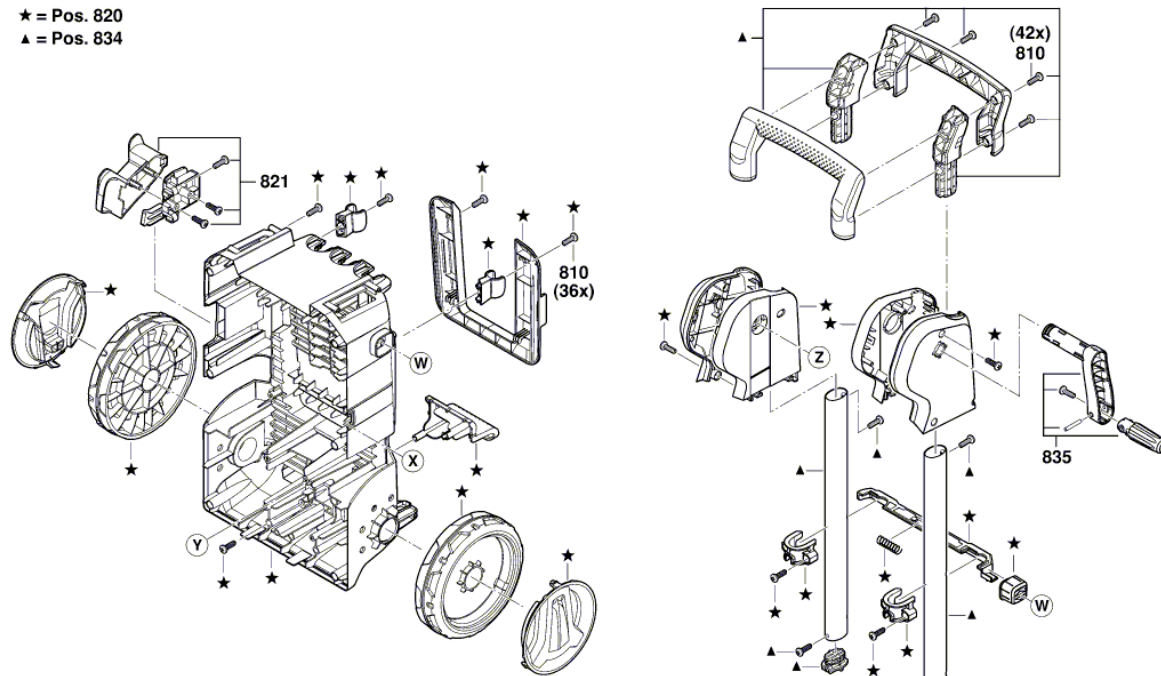


Modifications reserved
 Änderungen vorbehalten
 Modifications réservées
 Salvo modificaciones

Illustration - Type - E

3 600 HA7 G10
 Stand }
 Issue } 18-02-19 **Fig. /Abb. 2**

★ = Pos. 820
 ▲ = Pos. 834



Modifications reserved
 Änderungen vorbehalten
 Modifications réservées
 Salvo modificaciones

Illustration - Type - E

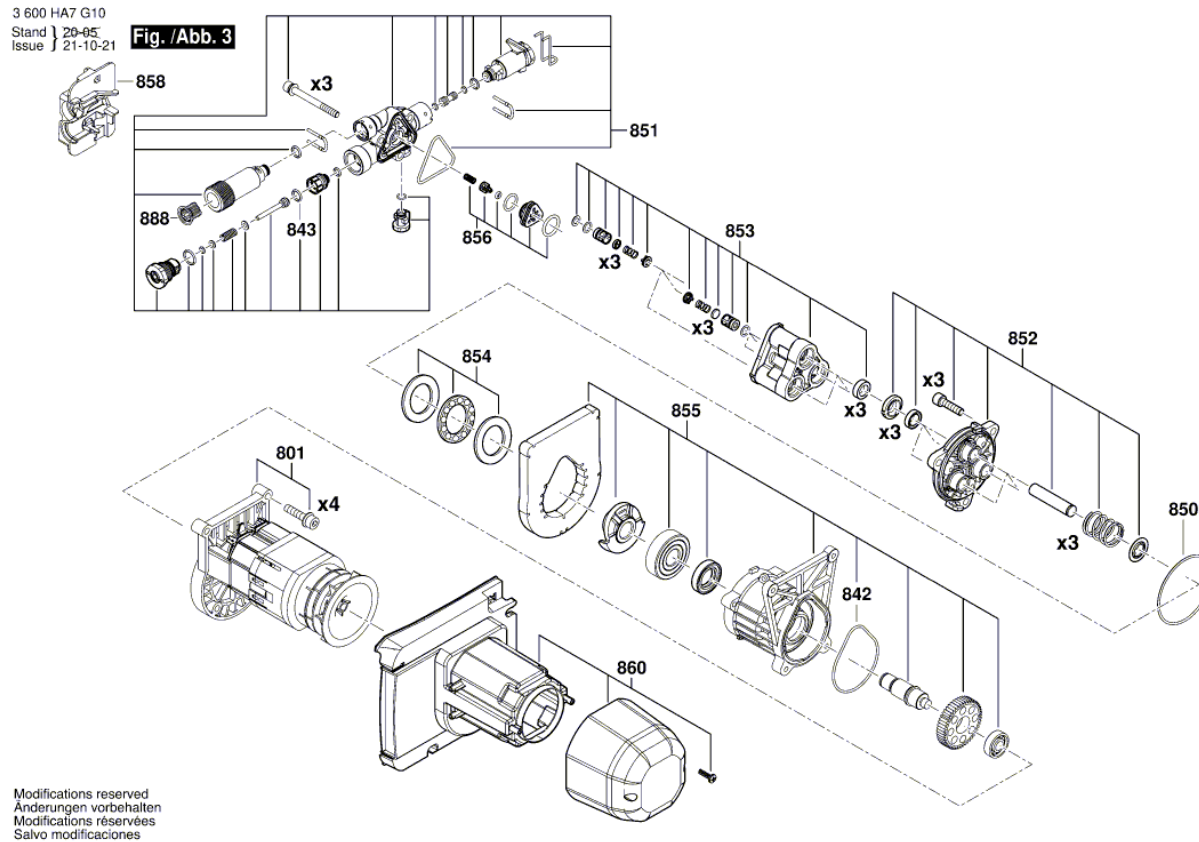
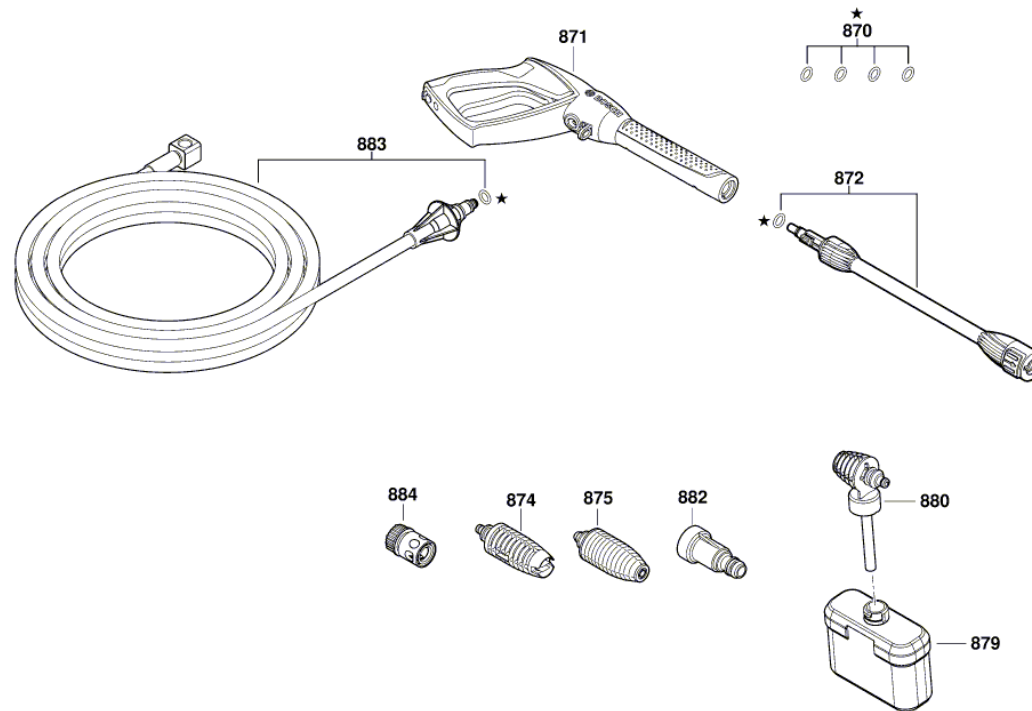


Illustration - Type - E

3 600 HA7 G10
Stand | 18-11
Issue | 19-07-25 **Fig. /Abb. 4**



Modifications reserved
Änderungen vorbehalten
Modifications réservées
Salvo modificaciones