

INVERTER PARALLEL KITS AUN9230PK

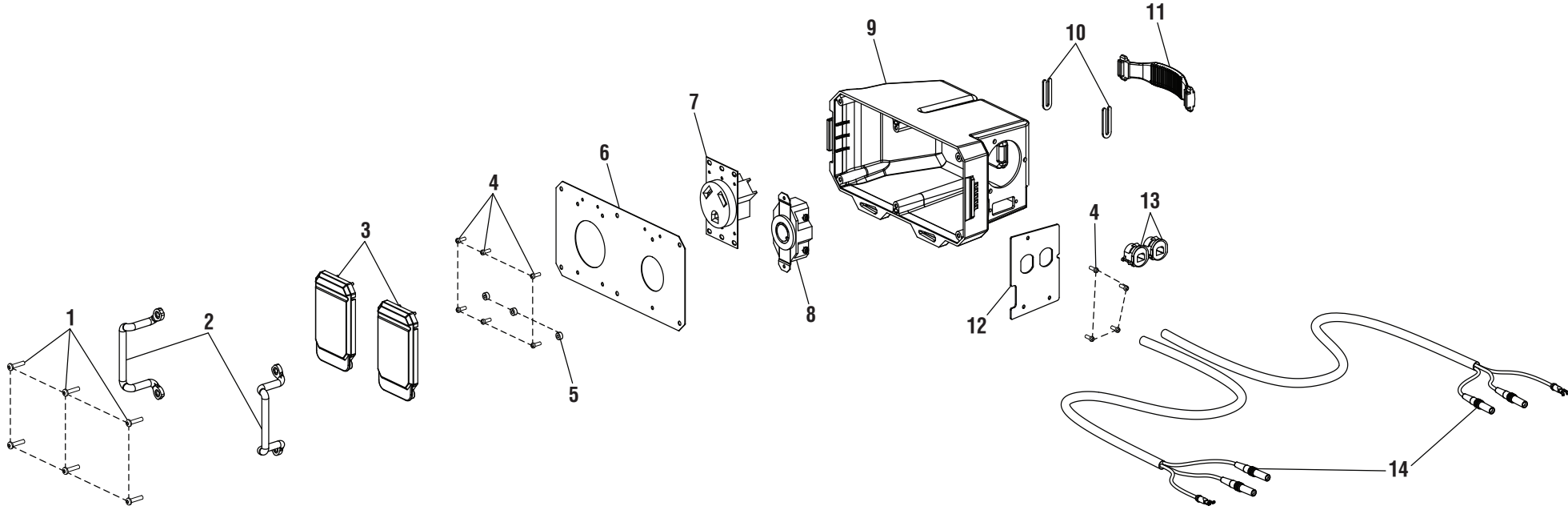


Figure A

INVERTER PARALLEL KITS AUN9230PK

PARTS LIST (FIGURE A)

KEY NO.	PART NUMBER	DESCRIPTION	QTY
1	660899003	Screw (8-18 x 3/4 in., Torx Hd.)	6
2	638701004	Handle.....	2
3	519813020	Outlet Cover.....	2
4	660598001	Screw (6-20 x 3/8 in.).....	10
5	638128005	Spacer (4 mm)	3
6	638700024	Receptacle Plate.....	1
7	290400009	Receptacle (120 Volts, 30 Amp, RV).....	1
8	290400020	Receptacle (120 Volts, 30 Amp).....	1
9	519813021	Control Box.....	1
10	678815002	Handle Retainer Clip.....	2
11	570372001	Carry Handle.....	1
12	638700025	Cord Plate	1
13	563119002	Strain Relief.....	2
14	290424002	Wiring Harness	2
	Not Shown:		
	990000108	Operator's Manual	1