



BOSCH

Hose Reel Carrier

AST 50-1/2" | 0 600 800 350

Table of Content

Spare parts list.....	2
Illustration - Type.....	3

Spare parts list

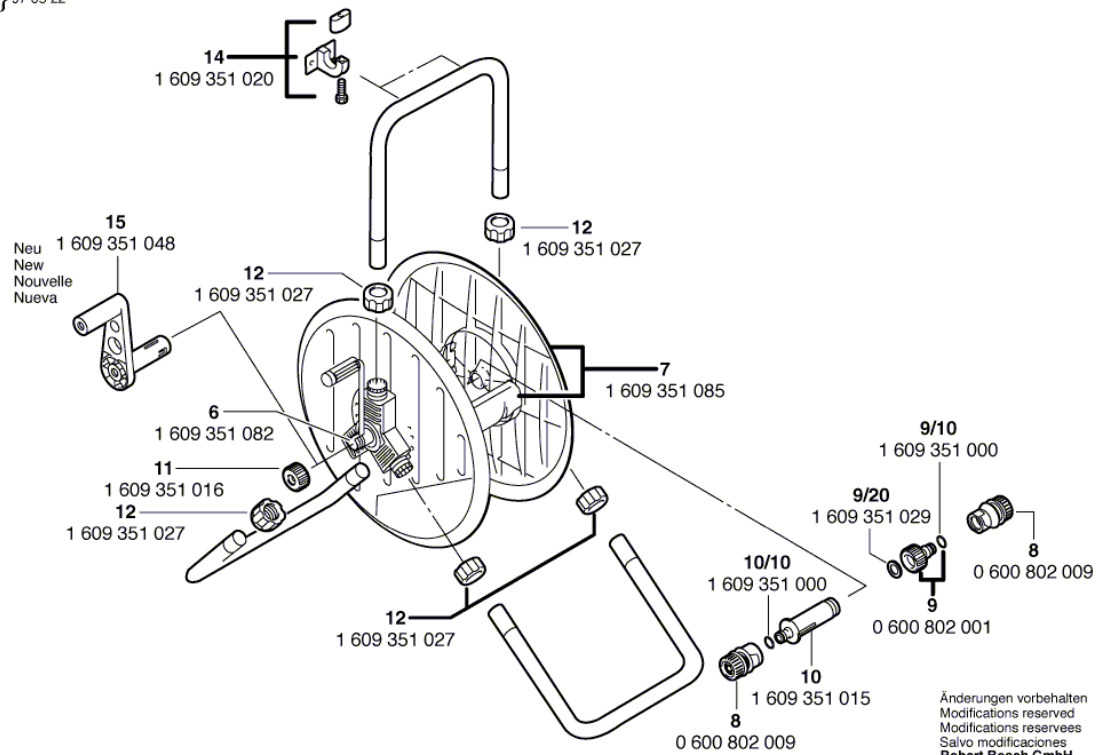
Item	Part Number	Description	Illustration	Price	Quantity	Price Group
6	1 609 351 082	Axle	1	-	1	
7	1 609 351 085	Drum	1	-	1	
8	0 600 802 009	Hose Coupling 1/2" WITHOUT AQUASTOP	1	-	2	
9	0 600 802 001	Tap Connection Piece 3/4"	1	-	1	
9/10	1 609 351 000	O-Ring 11x2,5 MM	1	-	1	
9/20	1 609 351 029	Gasket Ø15xØ24x4,5=3/4"	1	-	1	
10	1 609 351 015	Hollow Axle	1	-	1	
11	1 609 351 016	Union Nut	1	-	1	
12	1 609 351 027	Union Nut	1	-	6	
14	1 609 351 020	Parts Set M 6x16 MM	1	-	1	
15	1 609 351 048	Crank	1	-	1	

* Prices shown are suggested retail prices

Illustration - Type - E

Typ 0 600 800 350 = AST 50 - 1/2"

Stand } 97-05-22
Issue }



Änderungen vorbehalten
Modifications reserved
Modifications reserves
Salvo modificaciones
Robert Bosch GmbH
Geschäftsbereich Elektrowerkzeuge
70745 Leinfelden-Echterdingen