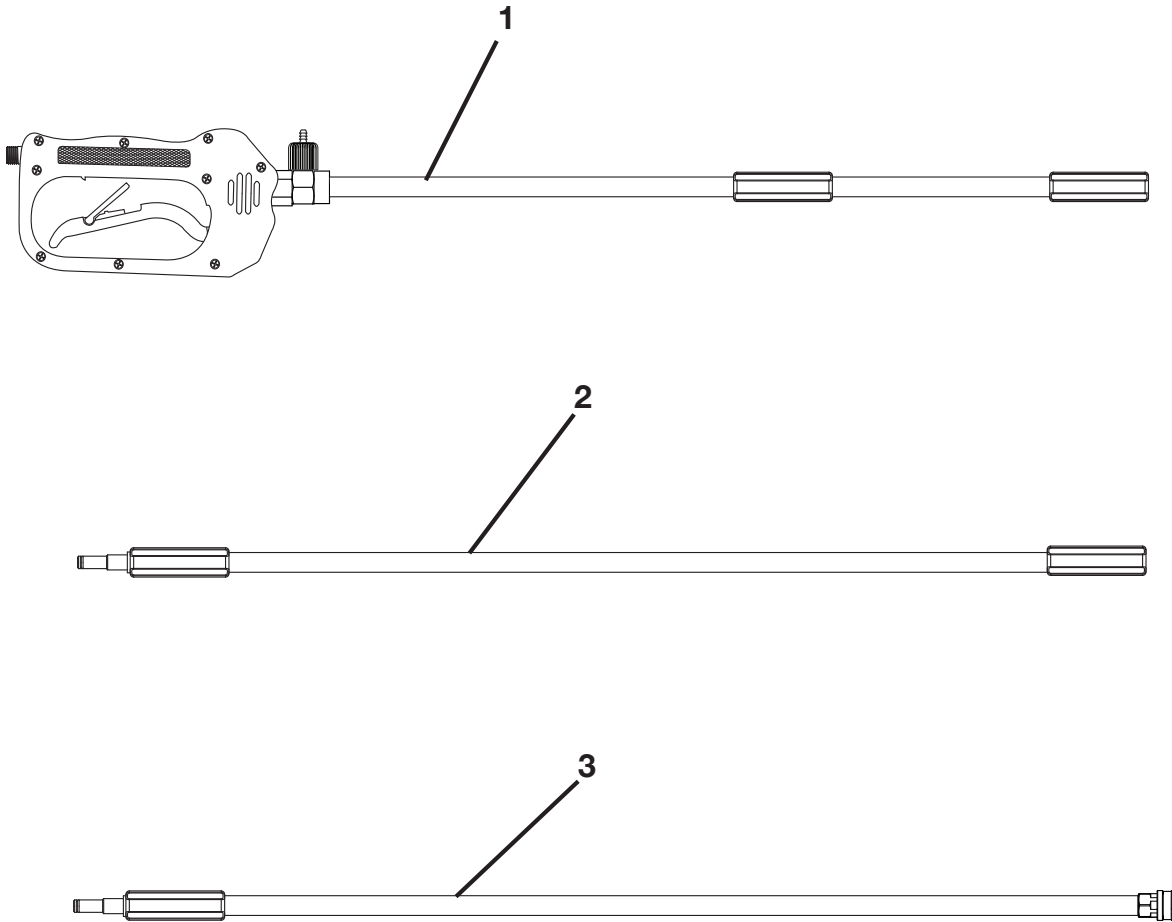


# POWERCARE EXTENSION POLE – MODEL NO. AP31050

The model number will be found on a label attached to the housing. Always mention the model number in all correspondence regarding your **EXTENSION POLE** or when ordering replacement parts.



## PARTS LIST

KEY NO.	PART NUMBER	DESCRIPTION	QTY.
1	310431001	Handle Assembly.....	1
2	308494034	Extension.....	1
3	308494035	Extension with Coupler .....	1
	987000947	Operator's Manual .....	1
	02-03-10		
	(REV:01)		