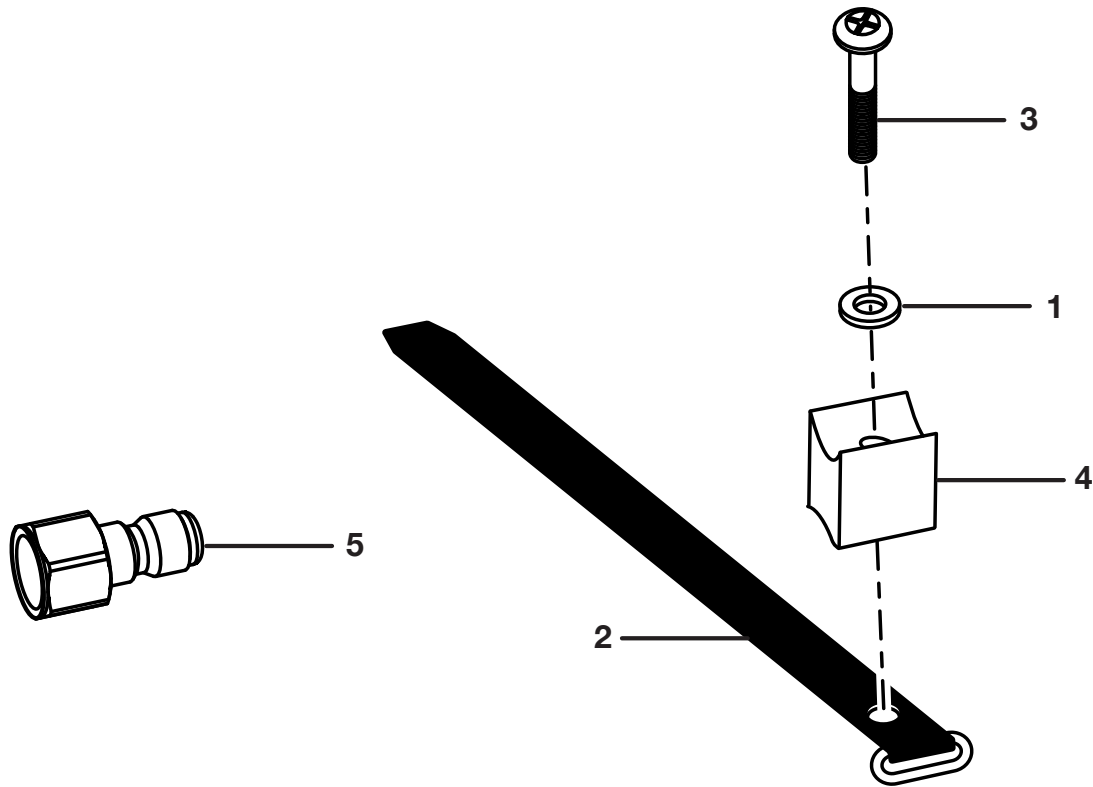


POWERCARE PUMP-N-VAC ATTACHMENT – MODEL NO. AP31023

The model number will be found on a label attached to the housing. Always mention the model number in all correspondence regarding your **PUMP-N-VAC ATTACHMENT** or when ordering replacement parts.



PARTS LIST

KEY NO.	PART NUMBER	DESCRIPTION	QTY.	KEY NO.	PART NUMBER	DESCRIPTION	QTY.
1	678821002	Washer.....	1		NOT SHOWN		
2	310765001	Strap.....	1		987000573	Operator's Manual.....	1
3	660788007	Screw (M5 x 20 mm).....	1		8-27-09		
4	570764001	Rubber Holder.....	1		(REV:01)		
5	308078003	Quick Connect (3/8 in. Male to Female 22 mm).....	1				