

Cordless Screw Driver - 0 602 490 657 - ANGLE EXAC...

www.powertools-aftersaleservice.com



BOSCH

Item	Part Number	Description	Illustration	Price	Quantity	Price Group
1	3 605 105 017	Housing Section BLUE	1	-,-	1	43
3	3 600 200 043	Locating Ring	1	-,-	1	17
4	3 607 200 108	Electronic Assembly	1	-,-	1	56
8	1 614 601 016	Retaining ring Ø36,6xØ1,5	1	-,-	1	11
10	3 601 099 003	Switch Slide	1	-,-	1	11
11	3 605 700 165	Angle Flange	1	-,-	1	40
12	1 280 905 004	Deep-Groove Ball Bearing	1	-,-	1	33
13	2 916 660 003	Spring retaining ring 16x1 MM, DIN 472	1	-,-	1	10
14	3 600 423 004	Sleeve	1	-,-	1	17
15	3 604 611 037	Compression Spring	1	-,-	1	15
16	3 605 105 019	Led-Holder	1	-,-	1	21
17	3 605 105 020	Led-Holder	1	-,-	1	21
18	3 600 210 012	O-Ring 20,0x1,0 MM	1	-,-	1	11
20	3 606 328 018	Pinion	1	-,-	1	16
29	2 605 719 011	Intermediate Flange	1	-,-	1	13
30	3 607 030 490	Planetary Gear Train	1	-,-	1	38
40	3 607 031 568	Assembly kit	1	-,-	1	51
60	3 601 923 022	Switching Element	1	-,-	1	15
61	3 604 611 022	Compression Spring	1	-,-	1	14
62	3 601 923 029	Pusher	1	-,-	1	15
71	3 604 460 132	Light Conductor	1	-,-	2	12
80	2 603 490 018	Torx Oval-Head Screw 3x18	1	-,-	11	10
82	2 603 414 048	Torx SH cap screw M3x5-8.8-Z	1	-,-	2	11
90	3 600 106 026	Ring CREAM WHITE	1	-,-	1	17
99	3 601 119 236	Reference Plate	N/A	-,-	1	15
101	3 606 445 043	Clutch Element	1	-,-	1	46
102	3 603 124 034	Drive Shaft	1	-,-	1	39
109	3 604 619 003	Compression Spring	1	-,-	1	17
110	3 600 224 053	Retaining ring	1	-,-	1	11
115	3 601 023 011	Sealing plate	1	-,-	1	13
116	3 600 134 014	Setting Ring	1	-,-	1	33
119	3 600 190 036	Support Disc	1	-,-	1	17
120	3 603 344 047	Catch Disk	1	-,-	1	31

Item	Part Number	Description	Illustration	Price	Quantity	Price Group
127	1 903 230 006	Ball DIN 5401-3,5 MM-III-ST	1	-,-	10	10
128	1 903 230 008	Ball 4,5 MM III DIN 5401-ST	1	-,-	6	10
140	2 916 080 012	Locking Washer DIN 6799-9-FSt	1	-,-	1	11
657	3 607 950 027	Screwdriver	1	-,-	1	23
658	3 601 376 007	Single-Head Eng. Wrench	1	-,-	1	22
659	3 601 923 024	Suspension Loop	1	-,-	1	21
697	3 608 872 557	Protective Cap 25,4x25,4 MM LONG	1	-,-	1	11
750	3 605 500 171	Protective Cap	1	-,-	1	25
801	2 607 335 877	Slide-In Accu Package 9,6V, 1,8Ah, NiCd	1	-,-	1	48
802	3 607 031 555	DC motor 9,6V	1	-,-	1	35
803	3 609 202 979	Light-Emitting-Diode	1	-,-	1	29
804	3 609 202 762	Microswitch	1	-,-	1	31
805	3 609 202 766	Plug Set	1	-,-	1	19
806	3 607 200 083	Switch	1	-,-	1	39
807	2 607 335 659	Slide-In Accu Package 9,6V, 2,4Ah	1	-,-	1	47
854	2 607 225 027	Fast Charger EU 230/7,2-24V, 30 MIN.	1	-,-	1	47
854	2 607 225 029	Fast Charger GB 230/7,2-24V, 30 MIN.	1	-,-	1	46
854	2 607 225 031	Fast Charger AUS 240/7,2-24V, 30 MIN.	1	-,-	1	46
854	2 607 225 033	Fast Charger USA 120/7,2-24V, 30 MIN.	1	-,-	1	46
854	2 607 225 035	Fast Charger SAM 115/7,2-24V, 15 MIN.	1	-,-	1	-
854	2 607 225 037	Fast Charger J 100/7,2-24V, 15 MIN.	1	-,-	1	-
854	2 607 225 039	Fast Charger ROK 220/7,2-24V, 30 MIN.	1	-,-	1	45
855	3 601 119 320	Nameplate	1	-,-	1	15
866	3 601 119 311	Manufacturer's nameplate	1	-,-	1	15
890	3 600 106 027	Parts Set 5 PCE., BLACK	1	-,-	1	24
890	3 600 106 028	Parts Set 5 PCE., RED	1	-,-	1	24
890	3 600 106 029	Parts Set 5 PCE., LIGHT BLUE	1	-,-	1	24
890	3 600 106 030	Parts Set 5 PCE., LIGHT GREEN	1	-,-	1	24
890	3 600 106 031	Parts Set 5 PCE., ORANGE	1	-,-	1	24
890	3 600 106 032	Parts Set 5 PCE., GREY	1	-,-	1	24
890	3 600 106 033	Parts Set 5 PCE., WHITE	1	-,-	1	24

Product information Cordless Screw Driver - 0 602 490 657 - ANGLE EXACT 7

Product No	0 602 490 657
Description	251.178; Cordless Screw Driver
DIN-Text	
ID_Text_Ext	0
Trading_Description	ANGLE EXACT 7
Voltage_1	9,6 V
ID_Country_Product	USA

Illustration - Type E

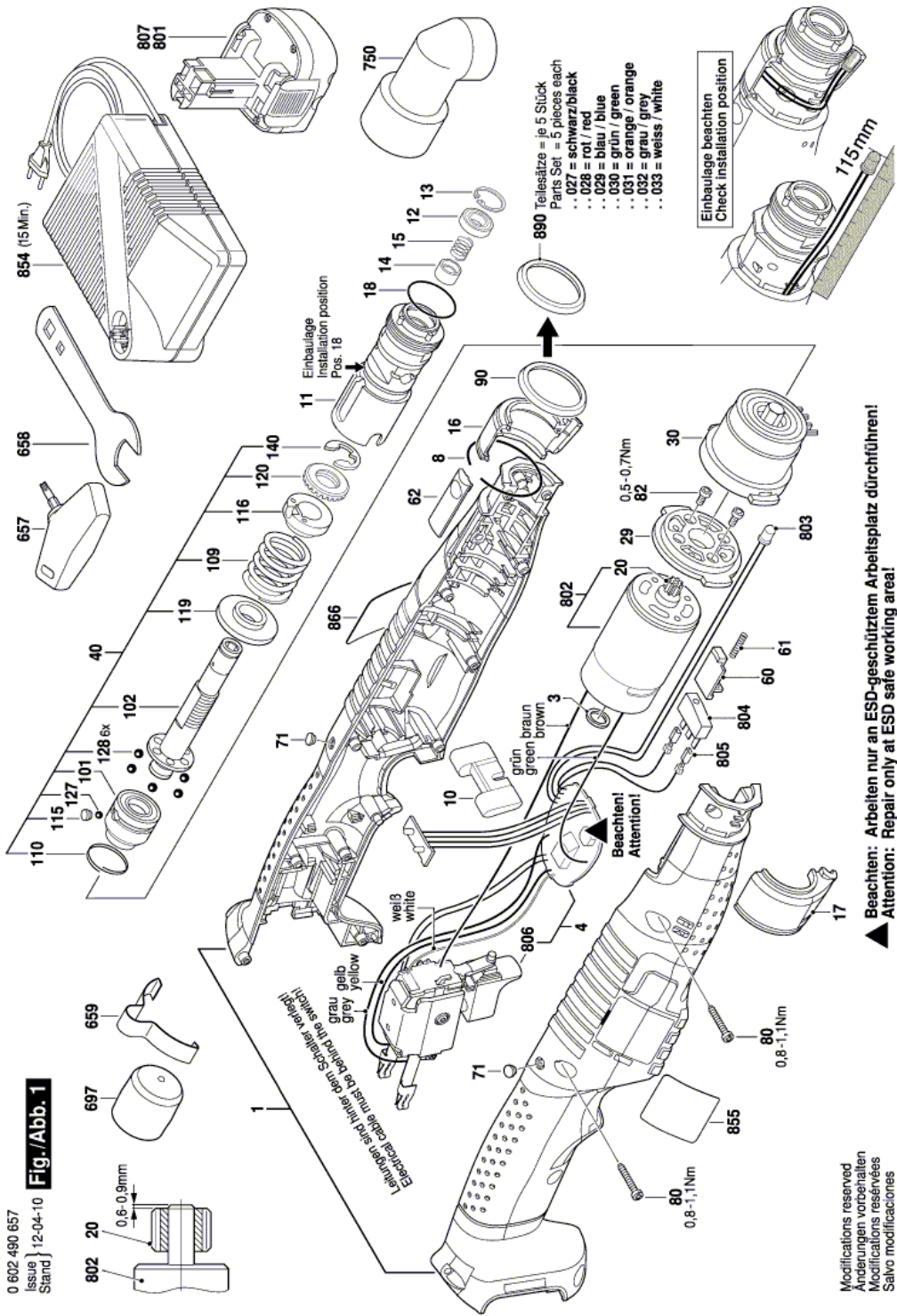


Fig./Abb. 1

0 602 490 657
Issue 12-04-10
Stand

Information subject to change without further notice.