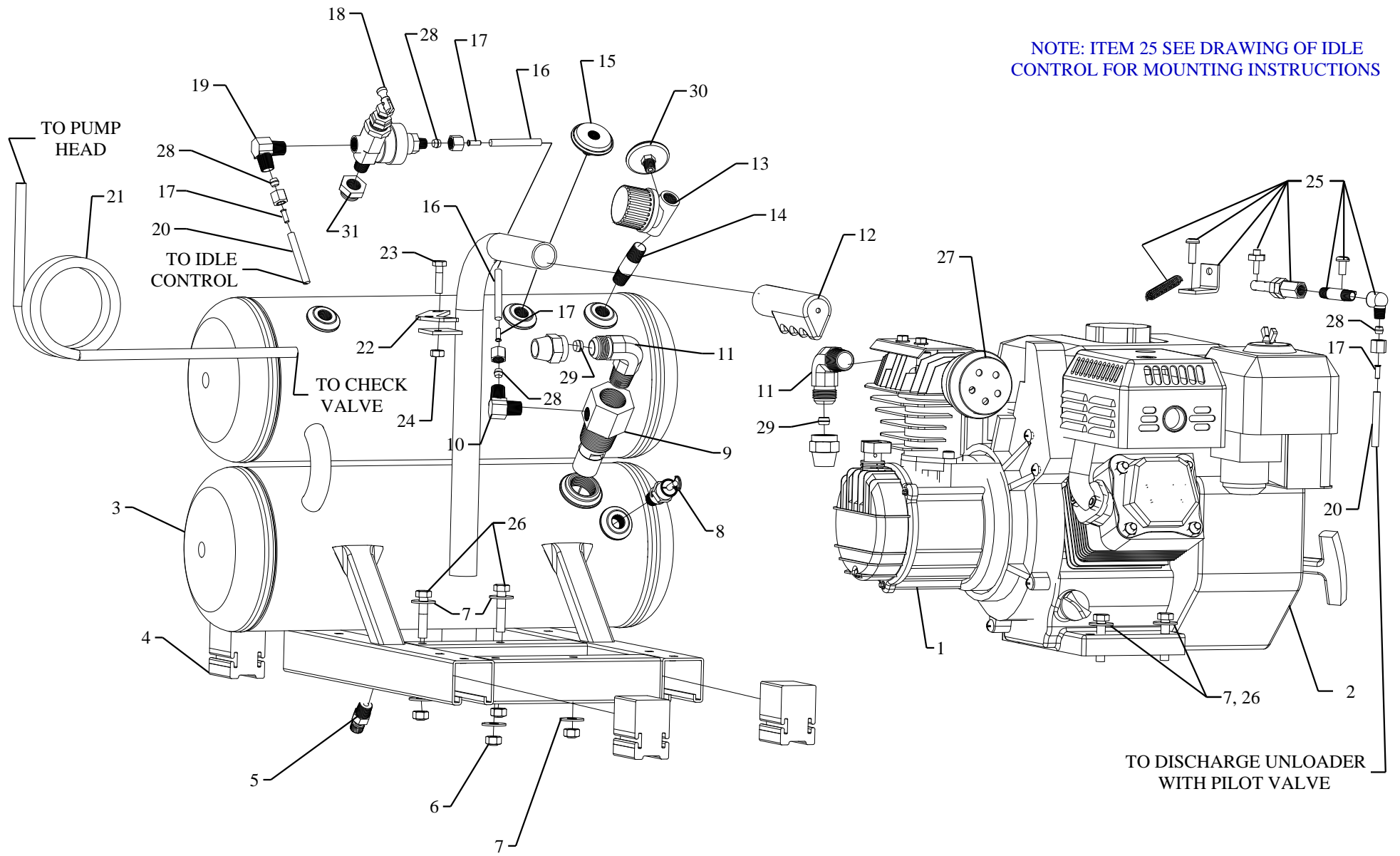


MODEL AM840 - 4HG - HC4V



Parts List for Model AM840-4HG-HC4V

NOTE: The quantity number indicates the total number of pieces required for a complete pump repair.
When ordering parts give compressor model, serial number and part number. Order assemblies when possible.

<u>REF. NO.</u>	<u>PART NO.</u>	<u>DESCRIPTION</u>	<u>QTY.</u>
1	421-1713	PUMP,CMPRSR,PISTON,REPLCMT,AM840	1
2	131-1114	ENGINE,GAS,HONDA,4 HP,R/S,GX120K1QX2	1
3	411-1115	TANK,HNDCRY,4G,NON,AM84,HC4VG,RPLMT	1
4	104-1109	PAD,RUBBER,SQUARE,3/4UNI-STR,40D,PAD-40A	4
5	141-1058	DRAIN,PETCOCK,BRASS,1/4"NPTM,DC14	2
6	120-1118	NUT,HEX,ELASTIC,STEEL,PLATED,5/16-18	4
7	120-1075	WASHER,FLAT,STEEL,PLATED,5/16"	8
8	141-1004	VALVE,SAFETY,ASME,1/4",165 PSI,54 SCFM	1
9	141-1034	VALVE,CHECK,INSERT,1/2"M X3/8"F,W/1/8"PT	1
10	121-1032	ELBOW,MALE,COMPRESSION,BR,1/4TBX1/8"NPTM	1
11	121-1035	ELBOW,MALE,COMPRESSION,BR,3/8TBX3/8"NPTM	2
12	104-1108	GRIP,HANDLE,RUBBER,YELLOW,1",STERILE	1
13	360-1108	REGULATOR,PRESSURE,AIR,W/PG18,1/4"N,R14	1
14	122-1029	NIPPLE,CLOSE,STEEL,SCH 40,PLATED,1/4"	1
15	142-1003	GAUGE,PSI,200#,BK MT,JENNY,1.5,1/4",PG14	1
16	610-1306	TUBE,UNLOADER,NYLON,W/SLV&INSERT,1/4X16	1
17	121-1048	INSERT,TUBING,BRASS,1/4"OD NYLON	2
18	141-1064	VALVE,UNLOADER,DSCHRG,W/PILOT,MAN,1/4	1
19	121-1032	ELBOW,MALE,COMPRESSION,BR,1/4TBX1/8"NPTM	1
20	610-1185	TUBE,UNLOADER,NYLON,W/SLEEVE&NUT,1/4X23	1
21	610-1181	AFTERCOOLER,GAS,AM83,SLV&NT,3/8,HC4VG	1
22	109-1046	BRACKET,MOUNTING,PUMP,HONDA&B&S,HC4VG	1
23	120-1005	SCREW,FLANGE,HEX,SERR,ST,PLTD,1/4-20X3/4	1

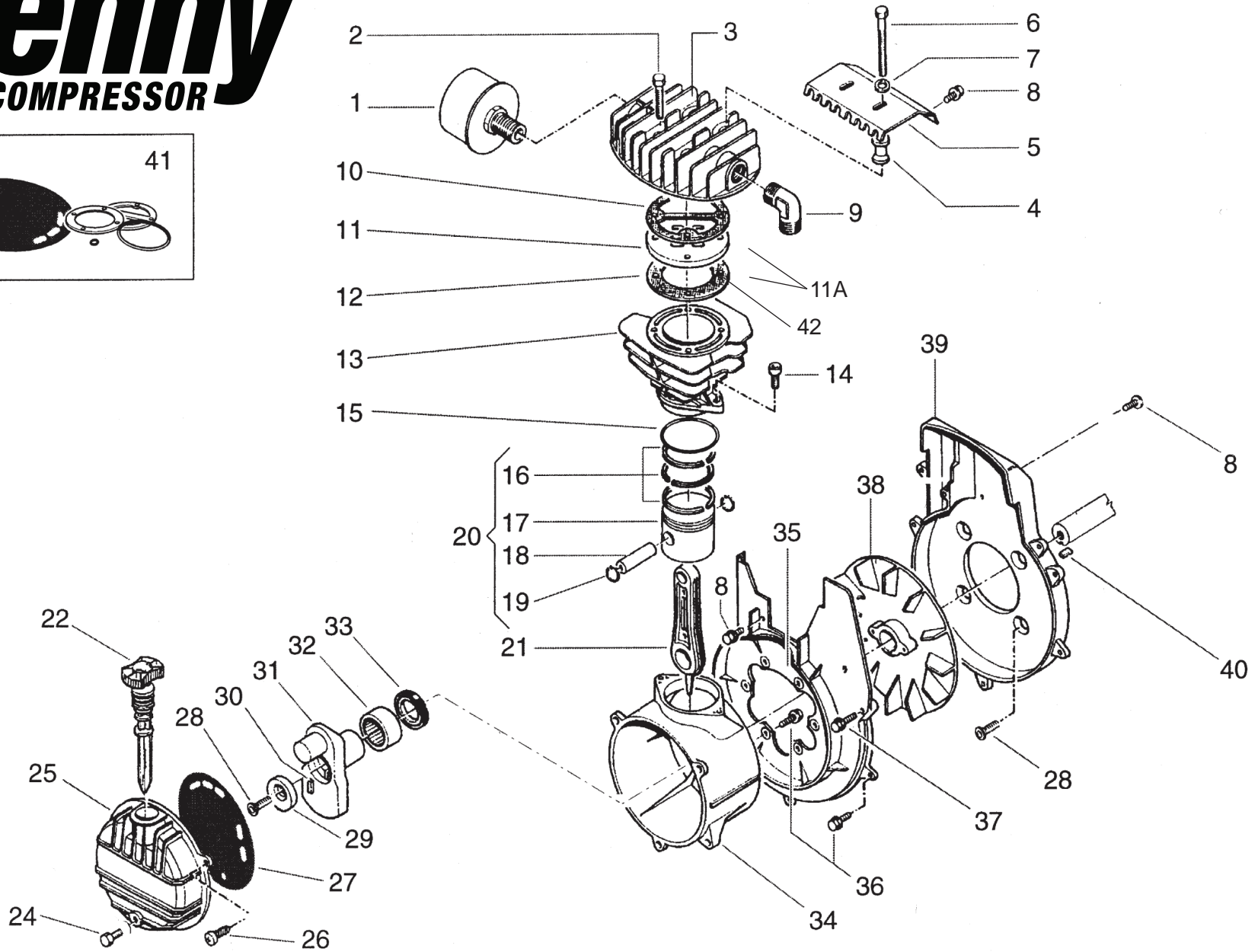
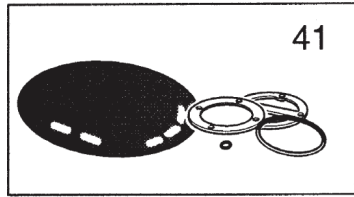
Parts List for Model AM840-4HG-HC4V

NOTE: The quantity number indicates the total number of pieces required for a complete pump repair.
When ordering parts give compressor model, serial number and part number. Order assemblies when possible.

<u>REF. NO.</u>	<u>PART NO.</u>	<u>DESCRIPTION</u>	<u>QTY.</u>
24	120-1115	NUT,HEX,ELASTIC,STEEL,PLATED,1/4-20	1
25	320-1017	CONTROL,IDLE,HONDA,4-6.5HP,ASSY,TIC-5HG	1
26	120-1025	SCREW,CAP,HEXHD,GR5,ST,PLD,5/16-18X1-1/2	4
27	630-317007000	FILTER,AIR,PUMP,AM39/77/78/840, 39154	1
28	121-1080	SLEEVE,COMPRESSION,BRASS,1/4"	4
29	121-1081	SLEEVE,COMPRESSION,BRASS,3/8"	2
30	142-1002	GAUGE,PSI,200#,BK MT,JENNY,1.5,1/8",PG18	1
31	122-1066	BUSHING,REDUCER,HEX,ST,PLTD,3/8NPTX1/4N	1
Not Shown	634-17210ZE0821	FILTER,AIR,HONDA,4HP,17210-ZE0-821	1

Jenny

AIR COMPRESSOR



Parts List for Model AM840 Pump Exploded View

NOTE: The quantity number indicates the total number of pieces required for a complete pump repair.
When ordering parts give compressor model, serial number and part number. Order assemblies when possible.

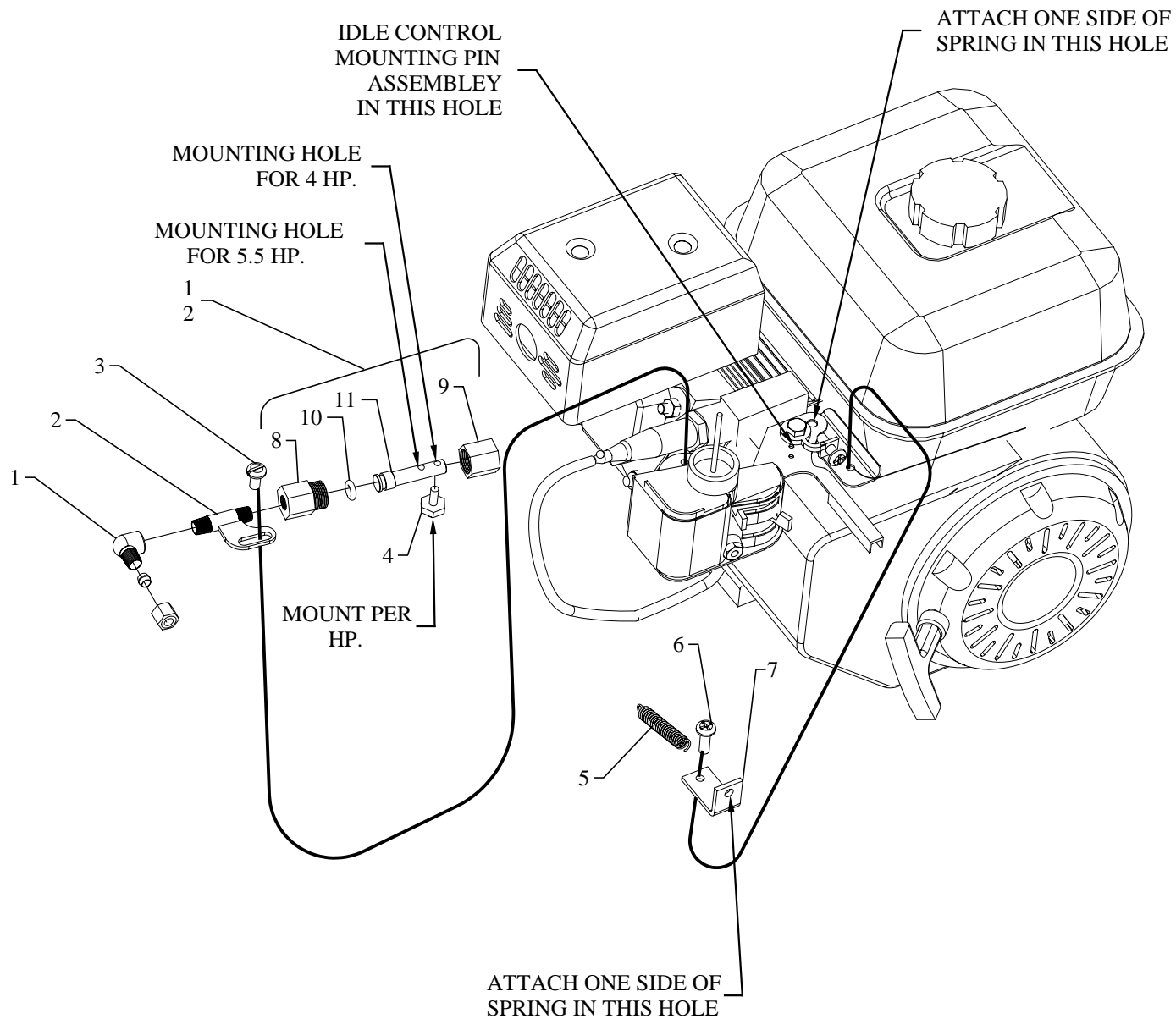
<u>REF. NO.</u>	<u>PART NO.</u>	<u>DESCRIPTION</u>	<u>QTY.</u>
1	630-317007000	FILTER,AIR,AM39/77/78/840, 39154	1
2	630-014002021	BOLT,HEAD,M6 X 45,AM39, 3952	2
3	630-116069001	HEAD,COMPRESSOR,AIR,ALUM,AM39,(3950)	1
4	150-1163	SPACER AM83, 8378	2
5	109-1045	BAFFLE,HEAD,STEEL,PLATED,AM840,8368	1
6	630-014002025	BOLT,HEAD,M6 X 70,(8375)	2
7	630-014005044	WASHER,6.6 X 18 X 2,(8376)	2
8	630-014013042	BOLT,M5 X 15,TAPTITE,(8377)	3
9	121-1035	ELBOW,MALE,COMPRESSION,BR,3/8TBX3/8"NPTM	1
10	630-116022009	GASKET,HEAD,AM39/77, 3951	1
11	630-116022012	GASKET,PLATE,VALVE,AM39/77,(3941) NOT SHOWN	1
11A	630-116022013	PLATE,VALVE,AM39/77,(3940)	2
12	630-116022010	GASKET,CYLINDER,TOP,AM39/77,(3912)	1
13	630-116022001	CYLINDER,ALUMINUM,MK238, 8330	1
14	630-014011064	BOLT,CYLINDER,M8 X 18,AM78,(788)	2
15	630-116022029	GASKET,CYLINDER,BOTTOM,AM39/77,(3931)	1
16	630-216022002	SET,RING,PISTON, AM39/77,(39133)	1
17	630-116022004	PISTON,AM39/77,(3932)	1
18	630-116022040	PIN,WRIST,AM39/77,(3935)	1
19	630-015001000	CLIP,PIN,WRIST,AM39/77,(3936)	2
20	630-416022004	ASSY,PIN,PISTON & RING,AM39/77/78(39132)	1
21	630-116091021	ROD,CONNECTING,AM39/77/78/99,(3921)	1
22	630-012008000	DIPSTICK,GRIP,RED,AM39/77(3914)	1

Parts List for Model AM840 Pump Exploded View

NOTE: The quantity number indicates the total number of pieces required for a complete pump repair.
When ordering parts give compressor model, serial number and part number. Order assemblies when possible.

<u>REF. NO.</u>	<u>PART NO.</u>	<u>DESCRIPTION</u>	<u>QTY.</u>
24	630-014013024	PLUG,DRAIN,OIL,AM39/77/78/403,(3913)	1
25	630-016032014	COVER,END,AM39/77,(392)	1
26	630-014006081	SCREW,NO.10 X 5/8",SMS,PH,PAN,ZC,(4075)	3
27	630-010013000	RING,O,COVER,END,AM39/77,(3924)	1
28	120-1231	SCREW,SOC HD,FL,NYLK,ST,BL,5/16-24X3/4,(3927)	5
29	630-116060005	SPACER,ECCENTRIC,STEEL,MK238,(8335)	1
30	120-1254	KEY,ST,BL,.185 X .185 X .300 LONG,HONDA	1
31	630-116060001	CRANKSHAFT,MK238,(8320)	1
32	630-033058000	BEARING,NEEDLE,CRANKSHAFT,MK238,(8310)	1
33	630-8380	SEAL,OIL,PK-2,MK238,(8380)	1
34	630-116060011	CRANKCASE,MK238,(831)	1
35	630-116060003	HOUSING,FAN,ALUM,MK238,(8379)	1
36	630-014013046	BOLT,M5 X 20,TAPTITE,(836)	6
37	630-014013045	BOLT,M5 X 25,TAPTITE,(838)	2
38	630-016060002	FAN,ALUMINUM,MK238,(8339)	1
39	630-116060004	PLATE,MOUNTING,PUMP,MK238,(8369)	1
40	120-1232	KEY,ST,BL,.185 X .185 X .410 LONG,(8325)	1
41	630-1014	SET,GASKET,AM83,(83100)INCLUDES 10-11-12-15-27-33	1
42	630-116022038	REED,VALVE,AM39/77, 3947 NOT SHOWN	2
43	630-1015	KIT,REPAIR,BASIC,AM83,(83101) INCLUDES 1-16-41-42	1

IDLE CONTROL MOUNTING INSTRUCTIONS FOR 4 AND 5 HP HONDA



Parts List for Model AM840 Throttle Idle Control

NOTE: The quantity number indicates the total number of pieces required for a complete pump repair.
When ordering parts give compressor model, serial number and part number. Order assemblies when possible.

<u>REF. NO.</u>	<u>PART NO.</u>	<u>DESCRIPTION</u>	<u>QTY.</u>
1	121-1037	ELBOW,FEMALE,COMPRESSION,BR,1/4TBX1/8"N	1
2	150-1084	BRACKET,CONTROL,IDLE,5HP,HONDA,MIC-4HG	1
3	120-1034	SCREW,CAP,HEX,ST,M6 X 20 X 16MM	1
4	120-1288	POST,CONTROL,IDLE,ST,4-5HP,HONDA	1
5	150-1089	SPRING,CONTROL,IDLE,PLTD,4-6.5HP,HONDA	1
6	120-1235	SCREW,MACH,PAN HD,ST, M5 X 8 X 16MM	1
7	109-1042	BRACKET,ANGLE,SPRING,ST,PLTD,4-6.5HP,TIC	1
8	150-1063	CYLINDER,CONTROL,IDLE,THROTTLE,BRASS,TIC	1
9	121-1083	NUT,COMPRESSION,TUBING,BRASS,3/8"	1
10	104-1021	RING,O,BUNA-N,5/16"IDX7/16"ODX1/16"THK	1
11	150-1087	PISTON,CONTROL,IDLE,THROTTLE,BR,4-6.5HP	1
12	220-1066	PISTON&CYLINDER,CONTROL,IDLE,ASSY,PIC-4HG	1
13	320-1017	CONTROL,IDLE,HONDA,4-6.5HP,ASSY,TIC-5HG	1