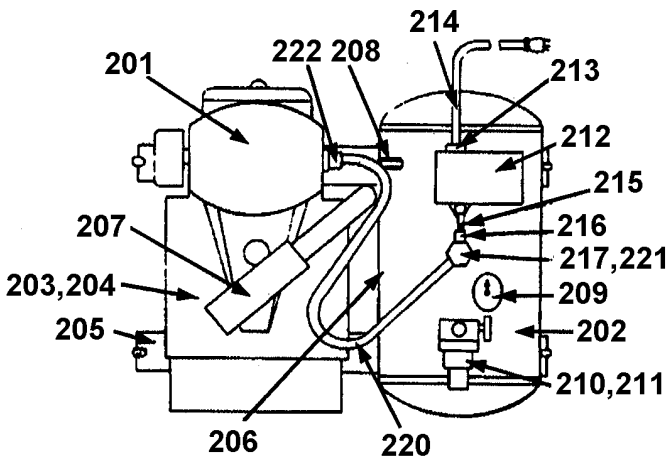
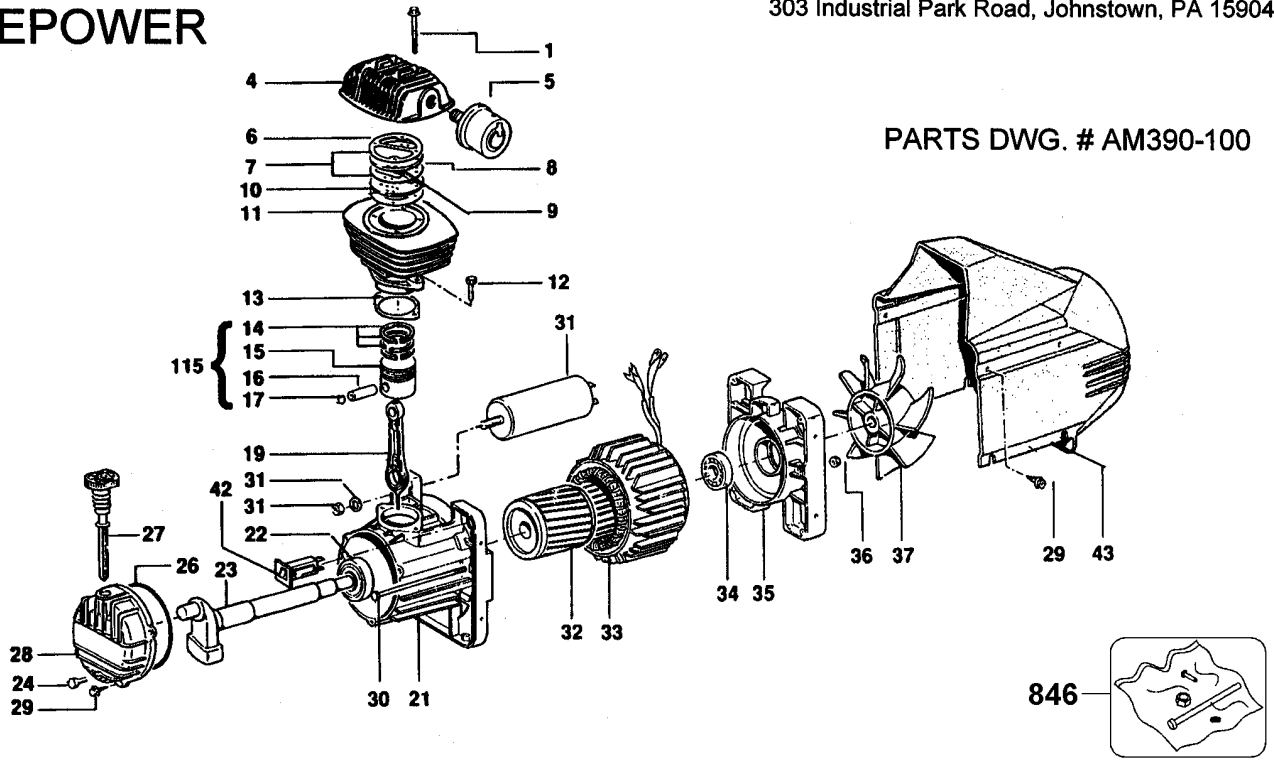


AM390

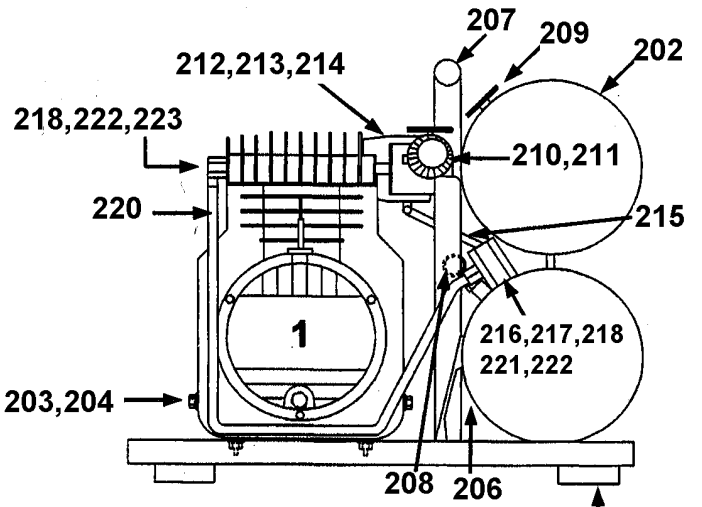
1 HORSEPOWER

EMGLO AIR COMPRESSORS
303 Industrial Park Road, Johnstown, PA 15904

PARTS DWG. # AM390-100



AM390 HC2 (top view)



AM390 HC4V (end view)

	Qty Per	Part Number	Part Description	Variant Description	BOM Notes	Refer to R.I.
	4	5130077-00	BOLT	HEAD, M6		No
4	1	5134694-00	HEAD			No
5	1	5140019-80	FILTER	INTAKE		No
6	1	5130078-00	GASKET	HEAD		No
7	2	5130079-00	VALVE PLATE			No
8	1	5140016-74	VALVE PLATE GASKET			No
9	2	5140016-73	VALVE BLADE			No
10	1	5140026-39	GASKET			No
11	1	5130104-00	CYLINDER			No
12	2	5134614-00	cylinder bolt			No
13	1	5140026-39	GASKET			No
14	1	5130084-00	PISTON RING SET			No
15	1	5130085-00	PISTON			No
16	1	5130086-00	PIN	PISTON		No
17	2	5130087-00	RETAINING RING			No
19	1	5130088-00	CONNECTING ROD			No
21	1	5130090-00	CRANK CASE			No
22	1	5130091-00	BEARING	COMPRESSED END		No
23	1	5130092-00	CRANKSHAFT			No
24	1	5130093-00	SCREW	DRAIN PLUG		No
24	1	5140016-81	O-RING			No
26	1	5140026-39	GASKET		WAS 5130095-00	No
27	1	000000-00	No Longer Available		WAS 5134607-00	No
28	1	5130096-00	COVER			No
29	7	5130097-00	SCREW			No
30	2	5130098-00	BOLT	M6		No
31	1	5134585-00	CAPACITOR			No
32	1	000000-00	No Longer Available		Must order complete assembly	No
33	1	000000-00	No Longer Available		Must order complete assembly	No
34	1	5134652-00	BEARING			No
35	1	5134707-00	END COVER			No
36	2	5130101-00	NUT	M6		No
37	1	5130107-00	FAN			No
42	1	5134579-00	CIRCUIT BREAKER			No
43	1	5134736-00	FAN HOUSING			No

	Qty Per	Part Number	Part Description	Variant Description	BOM Notes
	1	5130102-00	PISTON ASSY.		INCL. 14,15,16,17
201	1	000000-00	No Longer Available		
202	1	5133211-00	TANK ASSEMBLY	HEAVY PART CHARGE	HC2
202	1	5133226-02	TANK GROUP		HC4V
203	1	5132771-00	SADDLE		
204	4	5130280-00	SCREW	TEX, 12-14x3/4	
205	1	5130628-00	FOOT		HC4V(built after 6/16/00) HC2(built after 3/2/01)
206	1	A17038	DRAIN VALVE		
207	1	5130582-00	HANDL GRIP		
208	1	5130030-00	VALVE	1/4 NPT, 165 PSI	HC4V(built after 6/16/00) HC2(built after 3/2/01)
209	1	5130205-00	GAUGE	1.68 INCH O.D.	HC4V(built after 6/16/00) HC2(built after 3/2/01)
210	1	5131722-00	REGULATOR	W/GAUGE	
211	1	N044990	NIPPLE CLOSE 1/4-18	7/8 long	
212	1	5131501-00	PRESSURE SWITCH	NPP	
213	1	SSW-7482	CONNECTOR CONDUIT 3/	3/8 inch	
214	1	5130315-00	CORD & PLUG	6/14-3SJT	
215	1	5130356-00	UNLOADER TUBE ASY	1/4	HC4V
215	1	000000-00	No Longer Available		HC2
216	1	5130021-00	CONNECTOR	COMPRESSION 1/4x1/8	HC4V with SN Prefix "A"
216	1	SSP-6422	ELBOW	1/8NPT x 1/4	HC4V w/out SN Prefix "A"
217	1	5140030-78	CHECK VALVE ASSY	W/NIPPLE	HC4V with SN Prefix "A"
217	1	5130268-00	CHECK VALVE		HC2 (HC4V w/o SN prefix "A")
218	2	5130034-00	SLEEVE	3/8	
220	1	5140028-06	AFTERCOOLER		HC4V with SN Prefix "A"
220	1	5133615-00	AFTERCOOLER		HC4V w/o SN Prefix "A"
220	1	000000-00	No Longer Available		HC2 - WAS 5133611-00

	Qty Per	Part Number	Part Description	Variant Description	BOM Notes
	1	5130963-00	COMPRESSION CONN.		HC2 (HC4V w/o SN Prefix "A")
222	1	5130023-00	ELBOW	3/8 COMPRESSION	
223	2	5130035-00	NUT	COMPRESSION, 3/8	
846	1	5130238-00	REPAIR KIT		INCL. GASKET, RINGS, VALVES & FILTER
846	1	5140026-39	GASKET		INCL. 6, 8, 10, 13, 26
846	1	000000-00	No Longer Available		