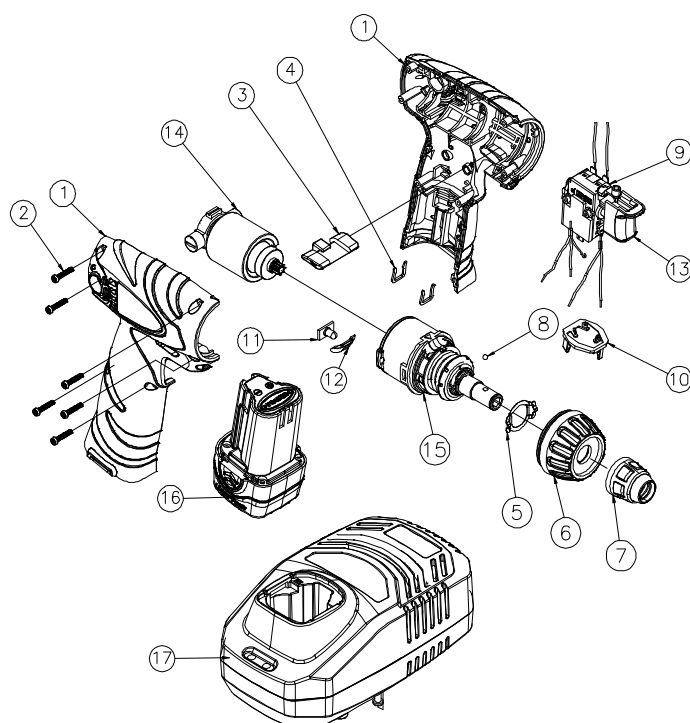


ALi 10,8 B



Pos.	FLEX - No.	Description
1	352.608	Handle (2 halves)
2	337.471	Screw (KT3x16)
3	352.616	Slider for rotation direction
4	337.358	Clamp
5	337.366	Locking spring
6	352.624	Adjustment ring
7	352.632	Quick-release bracket
8	352.640	Ball
9-13	352.659	Switch set
14	337.404	Motor unit
15	352.667	Gearbox assembly
16	336.319	Battery
17	336.327	Charger
	342.351	Carbon brush