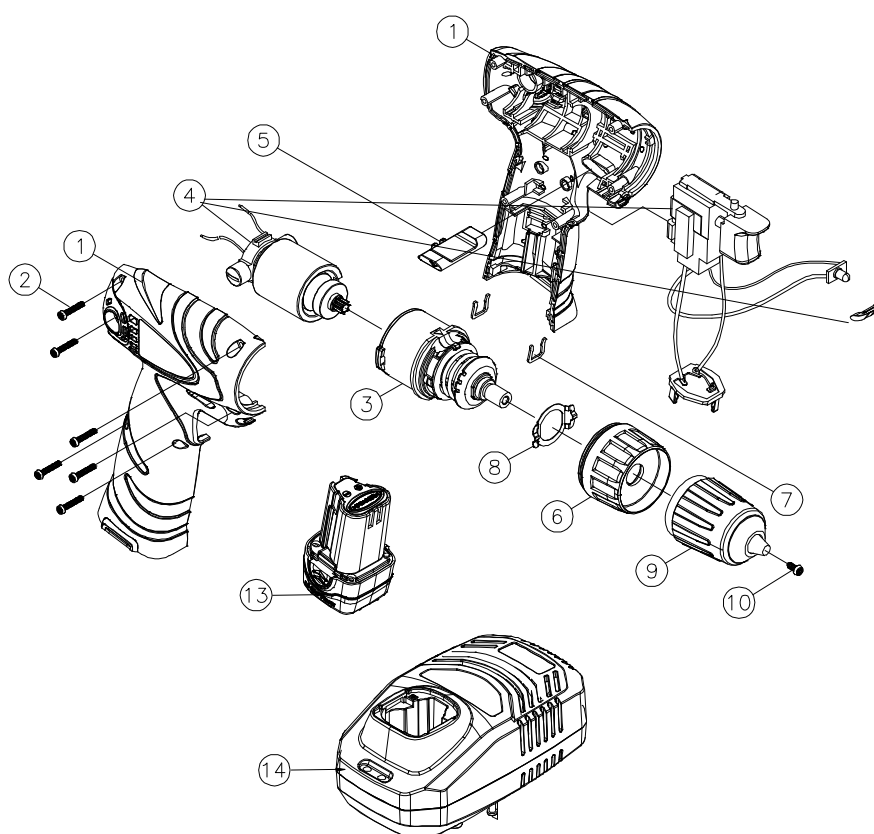


# ALi 10,8



Pos.	FLEX - No.	Description
1	337.323	Handle (2 halves)
2	337.471	Screw KT3x16
3	337.412	Assembled gearbox
4	354.325	Motor unit and switch
5	337.331	Slider for rotation direction
6	337.374	Adjustment ring
7	337.358	Clamp
8	337.366	Locking spring
9,10	337.382	Chuck set
13	336.319	Battery
14	336.327	Charger
	342.351	Carbon brush