



**BOSCH**

# Tap Connection Piece

AHW 3/4 DUPLO | 0 600 802 003

---

## Table of Content

Spare parts list.....	2
Illustration - Type.....	3

**Spare parts list**

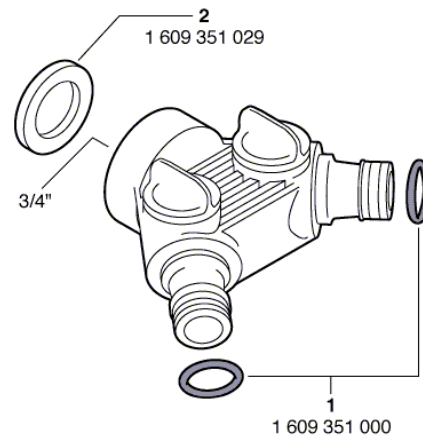
<b>Item</b>	<b>Part Number</b>	<b>Description</b>		<b>Illustration</b>	<b>Price</b>	<b>Quantity</b>	<b>Price Group</b>
1	1 609 351 000	O-Ring	11x2,5 MM	1	-	2	
2	1 609 351 029	Gasket	Ø15xØ24x4,5=3/4"	1	-	1	

\* Prices shown are suggested retail prices

Illustration - Type - E

Typ 0 600 802 003 = AHW 3/4 DUPLO

Stand } 97-05-21  
Issue }



Änderungen vorbehalten  
Modifications reserved  
Modificaciones reservadas  
Salvo modificaciones  
Robert Bosch GmbH  
Geschäftsbereich Elektrowerkzeuge  
70745 Leinfelden-Echterdingen