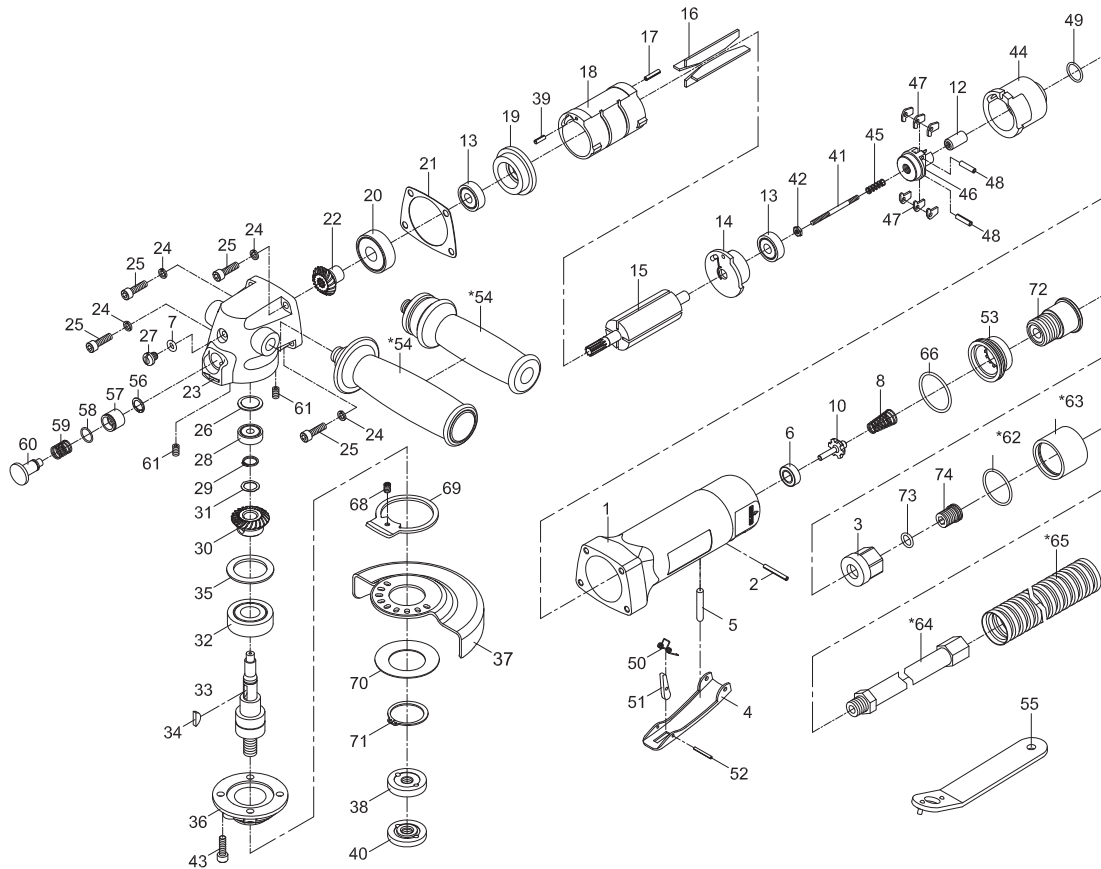




AG-4S 4" Angle Grinder

Stock No. 526340



Index Part No	Description	Qty
1..... AG4S-01.....	Motor Housing.....	1
2..... SM-30102.....	Spring Pin (3x24).....	1
3..... JSM5130-03..	Air Inlet.....	1
4..... JSM5130-04..	Throttle Lever	1
5..... AG4S-05.....	Pin	1
6..... JSM7572-145	Rubber Spacer.....	1
7..... SM-61907.....	O-Ring (4.9x2.2).....	1
8..... 73108	Sprng	1
10..... JSM7572-146	Valve Stem.....	1
12..... SM-61912.....	Plunger	1
13..... BB-608ZZ.....	Ball Bearing (608ZZ)	2
14..... AG4S-14.....	Rear Plate.....	1
15..... SM-61915.....	Rotor.....	1
16..... SM-61916.....	Rotor Blade.....	4
17..... AG4S-17.....	Spring Pin (2.5x12).....	1

Index Part No	Description	Qty
18..... AG4S-18.....	Cylinder.....	1
19..... AG4S-19.....	Front End Plate	1
20..... BB-6201Z	Ball Bearing (6201Z).....	1
21..... AG4S-21.....	Gasket.....	1
22..... SM-61922.....	Bevel Housing	1
23..... AG4S-23.....	Gear Housing	1
24..... 40344	Spring Washer (M5)	4
25..... AG4S-25.....	Screw (M5x18).....	4

Parts List continued on back

To order parts, call our service department at 800-274-6848 between 8:30 a.m. and 5:00 p.m. (CST), Monday through Friday. Having the Model Number and Serial Number will allow us to serve you quickly and accurately.

JET

427 New Sanford Road
 LaVergne, Tennessee 37086
 Ph.: 800-274-6848
 www.jettools.com

Part No. M-526340

Revision B2 06/2014

Copyright © 2014 JET, a Division of JPW Industries, Inc.

Index Part No	Description	Qty	Index Part No	Description	Qty		
26	SM-61926	Spacer	1	52	51542	Spring Pin (2x18)	1
27	SM-61927	Screw (M6x6)	1	53	AG4S-53	Exhaust Diffuser	1
28	BB-626ZZ	Ball Bearing (626ZZ)	1	54	AG4S-54-1	Reduced Vibration Handle	1
29	SM-60319	Retaining Ring (STW-10)	1	55	AG4S-55	Pin Wrench	1
30	AG4S-30	Bevel Gear	1	56	AG4S-56	Retaining Ring (ISTW-7)	1
31	SM-61931	Wave Washer (WW-10)	1	57	AG4S-57	Bushing	1
32	BB-620ZZ	Ball Bearing (620ZZ)	1	58	52236	O-Ring (10.5x1)	1
33	AG4S-33	Spindle (3/8"-24UNF)	1	59	AG4S-59	Spring	1
34	SM-61934	Key	1	60	AG4S-60	Spindle Stop Button	1
35	AG4S-35	Spacer	1	61	AG4S-61	Set Screw (M5x8)	1
36	AG4S-36	Bearing Cap	1	62	---	O-Ring	1
37	AG4S-37	Disc Cover	1	63	---	Clamp	1
38	SM-61938	Flange (3/8"-24UNF)	1	64	---	Hose	1
39	61048	Spring Pin (2.5x8)	1	65	---	Exhaust Hose	1
40	SM-61940	Flange Nut (3/8"-24UNF)	1		AG4S-EHA	Exhaust Hose Assembly ¹	1
41	SM-61941	Adjust Screw	1	66	AG4S-66	O-Ring (29.5x2)	1
42	SM-61942	Adjust Nut	1	68	AG4S-68	Spring	1
43	40343-12	Screw (M5x16)	4	69	AG4S-69	Lock Ring	1
44	AG4S-44	Inlet Guide	1	70	AG4S-70	Disk Spring	1
45	SM-61945	Spring	1	71	AG4S-71	Retaining Ring (STW-27)	1
46	SM-61946	Governor	1	72	AG4S-72	Fixed Shaft	1
47	SM-61947	Pendulum	6	73	JSM5130-11	O-Ring (7.5x1.5)	1
48	AG4S-48	Spring Pin (3x12)	2	74	JSM5130-39	Screw	1
49	AG4S-49	O-Ring (13.5x1.5)	1				
50	JSM5130-41	Spring	1				
51	JSM5130-40	Safety Bar	1				
					RPK-AG4S	Repair Kit ²	
					RBK-AG4S	Rebuild Kit ³	

¹ Contains Index No.'s 62 thru 65

² Contains Index No.'s 7, 11, 16, 21, 56, 57, 58, 59, 60, 66, 73

³ Contains Index No.'s 20, 22, 30, 32, 33

Specifications

Stock Number	526340
Model Number	AG-4S
Wheel Size (Dia x Bore x Thk/in.)	4 x 5/8 x 1/4
Spindle Thread (in./TPI)	3/8-24
Horsepower (HP)	3/4
Free Speed (RPM)	10,000
Average Air Consumption (CFM)	4
Air Inlet (in.)	1/4
Air Hose Inside Diameter (in.)	3/8
Vibration Value (m/s ²)	0.65
Noise Level (dB)	83
Overall Length (in.)	9
Weight (lbs)	9-3/4