

REPLACEMENT PARTS

REF. NO.	PART NO.	DESCRIPTION	REF. NO.	PART NO.	DESCRIPTION
*	406-03-362-0001	Idler Drum Brkt., Ass'y., Const of:	67	927-03-010-2656	Key
1	406-03-014-0001	Idler Drum Brkt.	68	920-04-010-7273	Bearing (Early Models Only, See Service Note A)
2	905-04-071-3117	Pin (Early Models Only)	68A	920-04-020-5348	Bearing (Current Models Only, See Service Note A)
2A	905-01-010-5085	5/16 X 3/4" Roll Pin (Current Models Only)	69	902-07-030-7171	Bearing Nut
3	406-03-071-0001	Key	70	420-01-354-0003	Belt Guard
4	902-01-201-2558	Hex Nut	71	901-02-120-7528	1/4-20 X 1/2" Truss Hd. Screw
5	920-08-040-5354	Bearing (Early Models Only, See Service Note A)	72	41-084	5" Dia. Arbor Pulley (3/4" Bore), Incl.:
5A	920-04-010-7273	Bearing (Current Models Only, See Service Note A)	73	901-04-150-0206	5/16-18 X 5/16" Hex Soc. Set Screw
6	904-10-031-3805	Spacer (Early Models Only, See Service Note A)	72	41-074	4-1/2" Dia. Arbor Pulley (3/4" Bore, 31-730 Only), Incl.:
6A	406-03-104-0002	Spacer (Current Models Only, See Service Note A)	73	901-04-150-0206	5/16-18 X 5/16" Hex Soc. Set Screw
7	406-03-362-0003	Idler Drum (Pair)	74	51-010	"V" Belt, 67" O.C.
8	406-03-108-0001	Idler Drum Shaft	74	400-06-133-0005	"V" Belt, 62" O.C. (31-730 Only)
9	904-10-031-3802	Spacer (Early Models Only, See Service Note A)	77	424-03-754-0001	Nameplate
9A	406-03-104-0001	Spacer (Current Models Only, See Service Note A)	78	420-01-005-0002	Base
11	902-07-020-7174	Bearing Closure Nut	79	904-02-020-1704	3/8" Lockwasher
15	406-03-067-0001	Belt Tension Lever	80	901-01-060-0642	3/8-16 X 1" Hex Hd. Cap Screw
16	406-03-071-0002	Belt Tension Lever Pin	81	901-03-011-9984	3/8-24 X 1-1/2" Soc. Hd. Cap Screw
17	904-07-010-5567	1/2" Fiber Washer	82	904-01-010-1606	3/8" Washer
18	406-03-100-0001	Star Wheel	83	901-01-060-0688	3/8-24 X 3/4" Hex Hd. Cap Screw
19	406-03-412-0005	Belt Adj. Screw Ass'y.	84	952-01-031-3260	Stop Pin (Early Models Only)
20	406-03-049-0002	Frame	84A	901-04-020-8670	7/16-14 X 3" Sq. Hd. Set Screw (Current Models Only)
21	951-02-010-7822	Tilting Scale	85	902-01-201-2579	7/16-14 Hex Nut
22	901-06-450-2250	#4 X 3/16" Drive Screw	90	416-02-054-0001	Upper Guard
23	901-02-050-0715	1/4-20 X 1/2" Fil. Hd. Screw	91	901-04-121-3603	#8-32 X 5/16" Slotted Set Screw
24	905-01-013-1044	7/32 X 1-3/4" Roll Pin	92	901-02-010-0560	#10-32 X 7/16" Rd. Hd. Screw
25	418-03-088-0001	Stop Lock	93	416-02-054-0002	Lower Guard
*	31-401	Tilting Table Ass'y., Const. of:	94	901-07-261-3212	Stud
27	406-03-091-0002	Tilting Table	100	416-02-327-0002	Clamp w/Pins
28	406-03-395-0001	Trunnion, Incl.:	101	420-01-075-0001	Pointer
29	418-03-055-0001	Guide	102	901-02-010-0502	1/4-20 X 1/4" Rd. Hd. Screw
30	901-02-010-0551	#10-32 X 1/4" Rd. Hd. Screw	103	406-03-100-0002	Star Wheel
31	904-01-010-1609	3/16" Washer	104	928-01-021-4125	Coil Spring
32	951-01-010-7802	Pointer	105	904-01-031-2925	7/16" Washer
33	901-09-020-6142	1/4-28 X 7/8" Stop Screw (Early Models Only, See Service Note B)	*	416-02-395-0001	Trunnion Ass'y., Const. of:
33A	901-04-193-1064	1/4-28 X 1" Hex Soc. Set Screw (Current Models Only, See Service Note B)	106	416-02-095-0001	Trunnion
34	901-04-410-4561	1/4-28 X 1/4" Sltd. Set Screw (Early Models Only, See Service Note B)	107	951-02-010-7820	Tilting Scale
35	905-02-010-6859	5/32 X 1/2" Groove Pin (Early Models Only)	108	901-06-450-2250	#4 X 3/16" Drive Screw
35A	1231522	5/32 X 1/2" Headed Pin (Current Models Only)	109	904-01-010-1603	3/16" Washer
36	901-01-060-0688	3/8-24 X 3/4" Hex Hd. Cap Screw	110	901-01-060-0612	1/4-20 X 5/8" Hex Hd. Cap Screw
37	904-01-010-1603	3/16" Washer (Early Models Only)	111	31-034	Disk Ass'y., Incl.:
37A	406-03-122-0002	Compression Spring (Current Models Only)	112	901-03-030-0761	1/4-20 X 1/2" Hex Soc. Flat Hd. Screw
38	901-02-010-0503	1/4-20 X 5/8" Rd. Hd. Screw (Early Models Only)	113	901-04-190-0201	5/16-18 X 5/16" Hex Soc. Set Screw
38A	406-03-112-0003	Special Screw (Current Models Only)	114	416-02-091-0001	Table
39	901-07-261-3207	7/16-14 X 2-13/16" Stud	115	406-03-137-0002	Nameplate
40	904-01-010-1606	3/8" Washer	116	901-06-450-2250	#4 X 3/16" Drive Screw
41	902-04-030-1408	7/16-14 Serrated Nut	117	416-02-095-0001	Trunnion
42	931-04-010-3635	Clamp Handle (Early Models Only)	118	904-01-010-1603	3/16" Washer
42A	406-04-033-0001	Clamp Handle (Current Models Only)	119	901-01-060-0612	1/4-20 X 5/8" Hex Hd. Cap Screw
*	1086998	Screw Ass'y., Const. of:	120	Cannot Furnish	5/16" Hex Wrench (Early Models Only)
45	902-02-010-1304	7/16-14 Sq. Nut	121	43-520	1-1/16" Open End and 5/8" Hex Box Wrench (Early Models Only)
46	406-03-122-0001	Spring	122	901-01-060-0645	3/8-16 X 3" Hex Hd. Cap Screw
47	406-03-031-0001	Cover	123	904-01-010-1606	3/8" Washer
48	928-01-021-3381	Spring	124	400-06-603-0001	Envelope
49	1086990	Screw Ass'y., Incl.:	125	400-06-079-0001	Retainer
50	904-10-031-3804	Collar	126		Abrasive Disc
51	905-01-010-2704	1/8 X 3/4" Roll Pin	127		Abrasive Belt
52	904-07-011-5711	7/16" Fiber Washer	**		
53	406-03-020-0001	Spacer (Intermediate Models)			
54	406-03-020-0001	Cap			
55	930-05-991-1643	Ball Crank, Incl.:			
56	901-04-190-0225	5/16-18 X 1/4" Hex Soc. Set Screw			
57	0919783	#10-32 X 7/8" Fil. Hd. Screw			
58	902-01-201-2560	Drive Shaft Nut	126	31-427	Garnet Disc. (50 Grit) Pkg. of 6
59	406-01-362-0006	Drive Drum (Pair)	126	31-428	Alum. Oxide Disc. (60 Grit) Pkg. of 6
60	406-03-079-0001	Bearing Retainer	127	31-142	Garnet Belt (80 Grit)
61	904-10-031-3806	Spacer Collar (Early Models Only, See Service Note A)	127	31-314	Garnet Belt (40 Grit)
61A	406-03-104-0003	Spacer Collar (Current Models Only, See Service Note A)	127	31-404	Alum. Oxide Belt (100 Grit)
62	920-08-020-5339	Bearing (Early Models Only, (See Service Note A)	127	31-405	Alum. Oxide Belt (50 Grit)
62A	920-04-020-5360	Bearing (Current Models Only, See Service Note A)	**	49-503	Disc Adhesive
63	406-03-027-0001	Clamp Ring			
64	406-03-012-0001	Bearing Housing			
65	901-01-060-0639	7/16-14 X 5-1/2" Hex Hd. Cap Screw			
66	420-01-106-0002	Drive Shaft (Early Models Only, See Service Note A)			
66A	420-01-106-0003	Drive Shaft (Current Models Only, See Service Note A)			

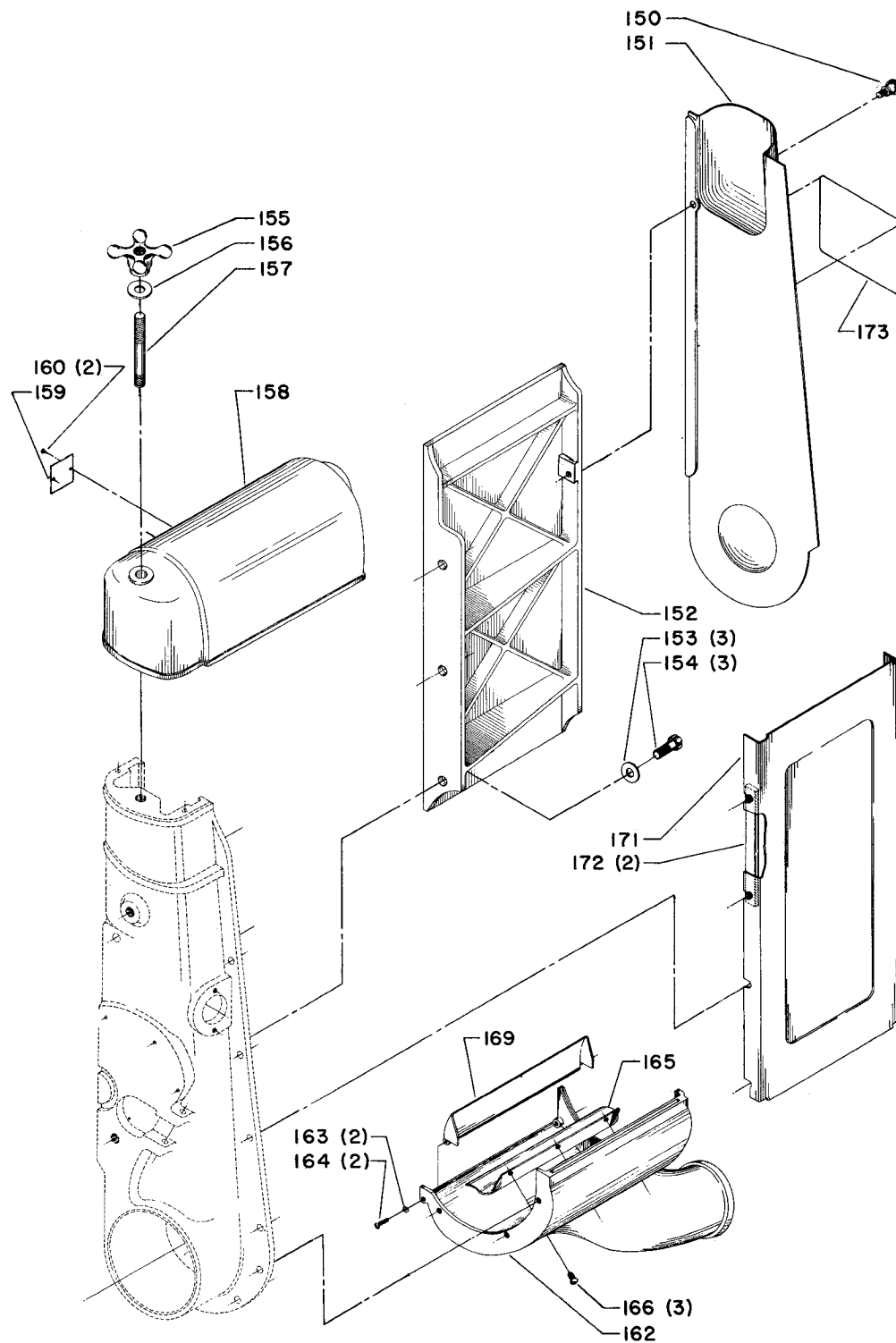
SERVICE NOTES:

A - Early Models built prior to 10-75 used bearings with extended inner race. Current Models built since 10-75 used bearings with flush inner races. Early and Late Model bearings spacers and drive shafts are not interchangeable on an individual basis. They may, however, be replaced as a set on either the drive or idler drums.

B - Early Models used a set screw to lock stop screw. Current Models have self-locking stop screw.

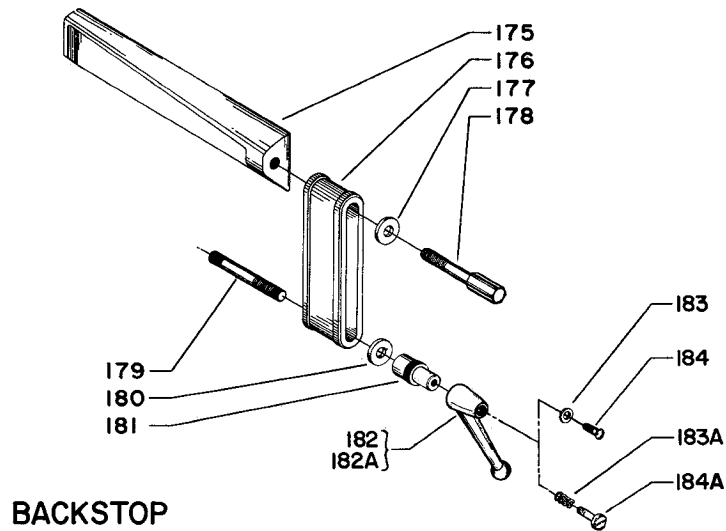
ACCESSORY BELTS AND DISCS

INCLUDED WITH STAND AND ELECTRICALS

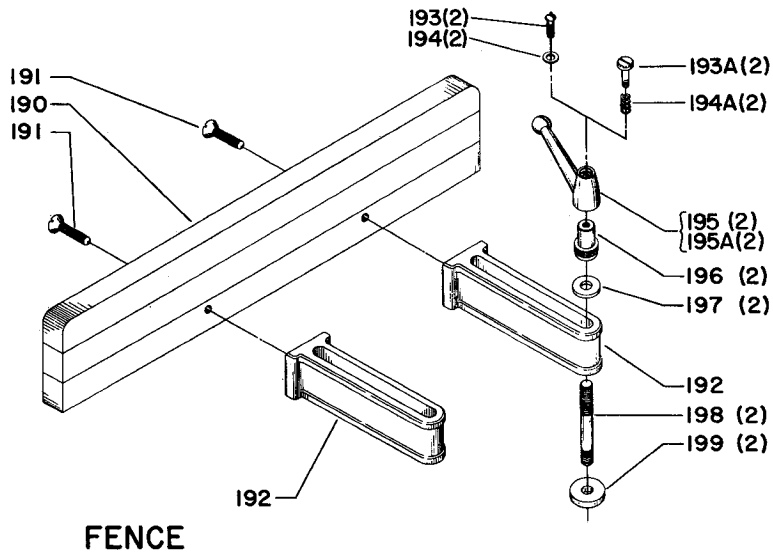


REPLACEMENT PARTS

REF. NO.	PART NO.	DESCRIPTION	REF. NO.	PART NO.	DESCRIPTION
150	901-04-340-7605	Special Thumb Screw	162	406-03-054-0002	Drive Drum Guard
151	406-03-054-0003	Side Guard	163	904-02-010-1726	#8 Lockwasher
152	406-03-091-0001	Platen	164	901-02-010-0553	#6-32 X 1/2" Rd. Hd. Screw
153	904-01-010-1605	5/16" Washer	165	406-03-036-0002	Dust Deflector
154	901-01-060-0640	3/8-16 X 3/4" Hex Hd. Cap Screw	166	901-02-010-7562	#10-32 X 5/16" Rd. Hd. Screw
155	406-03-100-0002	Star Wheel	169	406-03-036-0001	Deflector Plate Guard
156	904-01-031-2925	7/16" Washer	171	406-03-054-0004	Bottom Guard
157	901-07-261-3207	Stud	172	406-03-004-0001	Clamp Bar
158	406-03-354-0013	Idler Drum Guard, Incl.:	173	406-04-754-0002	Warning Decal
159	406-03-754-0001	Nameplate			
160	901-06-450-2250	#4 X 3/16" Drive Screw			



BACKSTOP



FENCE

REPLACEMENT PARTS

REF. NO.	PART NO.	DESCRIPTION	REF. NO.	PART NO.	DESCRIPTION
ACCESSORIES - NOT FURNISHED WITH BASIC MACHINE					
*	31-403	Backstop Assembly, Const. of:	*	31-014	Fence Ass'y., Const. of:
175	406-03-088-0001	Backstop	190	406-03-043-0001	Fence
176	406-03-014-0004	Link for Backstop	191	901-02-030-0409	5/16-18 X 1-1/4" Flat Hd. Screw
177	904-10-031-2097	Special Washer	192	406-03-014-0002	Fence Bracket
178	901-09-070-6124	Split Clamp Screw	193	901-02-010-0503	1/4-20 X 5/8" Rd. Hd. Screw (Early Models Only)
179	901-07-261-3207	7/16-14 X 2-13/16" Stud	193A	406-03-112-0003	Special Screw (Current Models Only)
180	904-10-031-2097	Special Washer	194	904-01-010-1603	3/16" Washer (Early Models Only)
181	432-01-027-0004	7/16-14 Serrated Nut	194A	406-03-122-0002	Compression Spring (Current Models Only)
182	931-04-010-3635	Clamp Handle (Early Models Only)	195	931-04-010-3635	Clamp Handle (Early Models Only)
182A	406-04-033-0001	Clamp Handle (Current Models Only)	195A	406-04-033-0001	Clamp Handle (Current Models Only)
183	904-01-010-1603	3/16" Washer (Early Models Only)	196	902-04-030-1408	7/16-14 Serrated Nut
183A	406-03-122-0002	Compression Spring (Current Models Only)	197	904-10-031-2097	Special Washer
184	901-02-010-0503	1/4-20 X 5/8" Rd. Hd. Screw (Early Models Only)	198	901-07-261-3207	7/16-14 X 2-13/16" Stud
184A	406-03-112-0003	Special Screw (Current Models Only)	199	904-10-031-3803	Special Washer
			**	34-568	Clamp Attach. For Miter Gage
			**	34-895	Miter Gage

* NOT SHOWN ASSEMBLED
** NOT SHOWN