

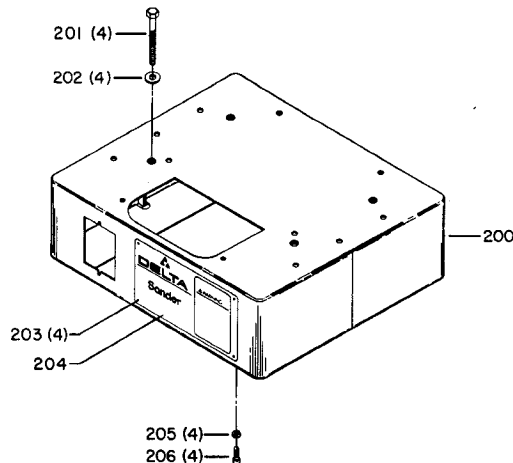
REPLACEMENT PARTS

REF. NO.	PART NO.	DESCRIPTION	REF. NO.	PART NO.	DESCRIPTION
1	31-401	Tilt Table, Incl:	70	406-03-036-0002	Dust Deflector
2	406-03-137-0004	Nameplate	71	406-03-054-0013	Drive Drum Guard
3	901-06-450-2250	#4 x 3/16" Drive Screw	72	406-03-036-0001	Deflector Plate Guard
4	406-03-395-0001	Trunnion, Incl:	73	904-02-010-1726	#8 Lockwasher
5	1231522	5/32 x 1/2" Headed Pin	74	901-03-010-8072	#6-32 x 3/4" Rd Hd Screw
7	901-04-193-1064	1/4-28 x 1" Hex Soc Set Screw	75	901-03-010-3318	#10-32 x 3/8" Soc Hd Cap Screw
8	951-01-010-7802	Pointer	76	406-03-079-0001	Bearing Closure Nut
9	904-01-010-1609	3/16" Washer	77	406-03-104-0003	Spacer Collar
10	901-03-010-3318	#10-32 x 3/8" Soc Hd Cap Screw	78	920-04-020-5360	Bearing
11	418-03-055-0001	Guide	79	406-03-027-0001	Clamp Ring
12	901-01-060-0688	3/8-24 x 3/4" Hex Hd Cap Screw (Early Models Only)	80	406-03-012-0001	Bearing Housing
12A	904-01-010-1620	5/16-18 x 3/4" Hex Hd Cap Screw (Current Models Only)	81	901-01-060-0639	7/16-14 x 5 1/2" Hex Hd Cap Screw
13	406-03-112-0003	Special Screw	82	406-03-106-0002	Drive Shaft
14	406-03-122-0002	Compression Spring	83	927-03-010-2650	3/16 x 3/16 x 1 3/8" Key
15	406-03-033-0001	Clamp Handle	84	920-04-020-5348	Bearing
16	902-04-030-1408	7/16-14 Serrated Nut	85	902-07-030-7171	Bearing Nut
17	904-01-010-1606	3/8" Washer	86	41-064	Pulley, 4" Dia., 3/4" Bore, Incl:
18	420-01-111-0003	Stud	87	901-04-150-0206	5/16-18 x 5/16" Hex Soc Set Screw
19	406-03-412-0005	Adj. Screw	88	406-03-005-0003	Base
20	406-03-138-0003	Knob	89	904-01-010-1606	3/8" Washer
21	904-07-010-5567	1/2" Fiber Washer	90	901-01-060-0682	3/8-24 x 1 1/4" Hex Hd Cap Screw
22	901-03-010-0229	1/4-20 x 1/2" Soc Hd Cap Screw	91	901-01-060-0688	3/8-24 x 3/4" Hex Hd Cap Screw
23	406-03-049-0002	Frame	92	901-04-020-8670	7/16-14 x 3" Sq Hd Set Screw
24	905-01-013-1044	7/32 x 1 3/4" Roll Pin	93	902-01-201-2579	7/16-14 Hex Nut
25	418-03-088-0001	Stop Lock	94	901-01-060-0635	5/16-18 x 2" Hex Hd Cap Screw
26	406-03-071-0002	Pin	95	904-01-010-1620	5/16" Washer
27	406-03-067-0001	Lever	96	406-03-005-0002	Riser Block
*	1086998	Screw Assy., Const of:	97	904-01-010-1620	5/16" Washer
28	902-02-010-1304	7/16-14 Sq. Nut	98	901-01-060-0606	5/16-18 x 5/8" Hex Hd Cap Screw
29	406-03-122-0001	Spring	98A	902-01-010-1300	5/16-18 Hex Nut
30	406-03-031-0001	Cover	99	436-01-354-0009	Guard
31	928-01-021-3381	Spring	100	901-03-040-8015	1/4-20 x 1/2" Rd Hd Screw
32	1086990	Screw, Incl:	101	904-01-010-1614	1/4" Washer
33	905-01-010-2704	1/8 x 3/4" Roll Pin	101A	902-01-120-1034	1/4-20 Hex Nut
34	904-10-031-3804	Collar	102	49-035	"M" Belt, 55 3/8" O.C.
35	904-07-011-5711	7/16" Fiber Washer	103	400-06-603-0001	Envelope
37	406-03-020-0001	Cap	104	400-06-079-0001	Retainer
38	406-03-438-0001	Crank, Incl:	105	406-00-752-0001	Warning Decal
39	901-04-190-0225	5/16-18 x 1/4" Hex Soc Set Screw	ACCESSORIES NOT FURNISHED WITH BASIC MACHINES		
40	0919783	#10-32 x 7/8" Fil Hd Screw	130	41-033	Pulley 2 3/4" Dia., 5/8" Bore, For 3450 RPM Mtr. (Furnished with Stand) Incl:
41	406-03-138-0004	Knob	131	901-04-150-0206	5/16-18 x 5/16" Hex Soc Set Screw
42	904-01-031-2925	7/16" Washer	*	31-014	Wood Fence, Const of:
43	420-01-111-0003	Stud	150	406-03-043-0001	Fence
44	406-03-054-0014	Idler Drum Guard	151	406-03-014-0002	Fence Bracket
47	901-06-450-2250	#4 x 3/16" Drive Screw	152	406-03-033-0001	Clamp Handle
48	951-02-010-7822	Scale	153	902-04-030-1408	7/16-14 Serrated Nut
*	406-03-362-0001	Idler Assy., Const of:	154	406-03-112-0003	Special Screw
49	406-03-104-0001	Spacer Collar	155	406-03-122-0002	Compression Spring
50	406-03-108-0001	Idler Drum Shaft	156	904-10-031-2097	Special Washer
51	406-03-362-0003	Idler Drum (Pair)	157	420-01-111-0003	Stud
52	406-03-104-0001	Spacer Collar	158	904-10-031-3803	Special Washer
54	902-01-201-2558	Hex Nut	159	901-02-030-0409	5/16-18 x 1 1/4" Flat Hd Screw
55	406-03-014-0001	Idler Drum Bracket	*	31-403	Backstop, Const of:
56A	902-07-020-7176	Bearing Closure Nut - 1.62" O.D. (Current Models Only)	180	406-03-088-0001	Backstop
56	902-07-020-7174	Bearing Closure Nut - 1.40" O.D. (Early Models Only)	181	406-03-014-0004	Link For Backstop
57	920-04-010-7273	Bearing	182	904-10-031-2097	Special Washer
58	905-01-010-5085	5/16 x 3/4" Roll Pin	183	901-09-070-6124	Split Clamp Screw
59	406-03-071-0001	Key	184	406-03-033-0001	Clamp Handle
60	406-03-091-0001	Platen	185	432-01-027-0004	7/16-14 Serrated Nut
61	901-01-060-0640	3/8-16 x 3/4" Hex Hd Cap Screw	186	406-03-112-0003	Special Screw
62	904-01-010-1605	5/16" Washer	187	406-03-122-0002	Compression Spring
63	901-04-340-7605	Thumb Screw	188	904-10-031-2097	Special Washer
64	406-03-054-0015	Side Guard	189	420-01-111-0003	7/16-14 x 2 13/16" Stud
65	406-03-004-0001	Clamp Bar	* NOT SHOWN ASSEMBLED		
66	406-03-054-0004	Bottom Guard	This parts list is provided to aid in obtaining service parts. Operational and maintenance information is contained in a separate owner's manual which is available through your local service outlet.		
67		Abrasive Belt			
68	902-01-201-2560	Drive Shaft Nut			
69	406-01-362-0006	Drive Drum (Pair)			

ACCESSORIES NOT FURNISHED WITH BASIC MACHINE

REPLACEMENT PARTS

REF. NO.	PART NO.	DESCRIPTION
200	31-123	Riser Block, Incl: (Early Models Only)
201	901-01-060-0645	3/8-16 x 3" Hex Hd Cap Screw
202	904-01-010-1606	3/8" Flat Washer
203	1087794	Rivet
204	406-03-137-0003	Nameplate
205	904-02-010-1703	5/16" Lockwasher (Early Models Only, to Mount Riser Block to Stand)
206	901-01-060-0607	5/16-18 x 3/4" Hex Hd Cap Screw (Early Models Only, to Mount Riser Block to Stand)



REPLACEMENT PARTS

REF. NO.	PART NO.	DESCRIPTION
*	50-114	Basic Stand, const. of:
227	901-01-060-0645	3/8-16 x 3" Hex Hd Cap Screw
228	904-01-010-1606	3/8" Flat Washer
229	902-01-010-5900	3/8" Hex Nut
230	1087794	Rivet
231	406-03-137-0003	Nameplate
232	436-01-318-0011	Cabinet Assembly
233	901-06-423-1170	#10-32 x 5/8" Rd Hd Self Tap Screw
234	436-01-123-0002	Side Panel
235	901-11-020-0834	5/16-18 x 3/4" Car. Bolt
236	904-01-010-1620	5/16" Flat Washer
237	436-01-004-0006	Motor Bracket
238	904-02-010-1703	5/16" Lockwasher
239	902-01-010-1300	5/16" Hex Nut
240	436-01-011-0020	Insulator
241	901-01-060-0607	5/16-18 x 3/4" Hex Hd Cap Screw
242	904-01-010-1620	5/16" Flat Washer
243	436-01-305-0001	Sub Base
244	904-02-010-1703	5/16" Lockwasher
245	902-01-010-1300	5/16" Hex Nut
246	436-01-074-0002	Hole Plug
**	901-11-020-0834	(4) 5/16-18 x 3/4" Car. Bolt (To Mount Motor to Motor Bracket)
**	902-01-010-1300	(4) 5/16-18 Hex Nut (To Mount Motor to Motor Bracket)
**	904-02-010-1703	(4) 5/16" Lockwasher (To Mount Motor to Motor Bracket)

* NOT SHOWN ASSEMBLED
** NOT SHOWN

This parts list is provided to aid in obtaining service parts. Operational and maintenance information is contained in a separate owner's manual which is available through your local service outlet.

Doc. 3321G

