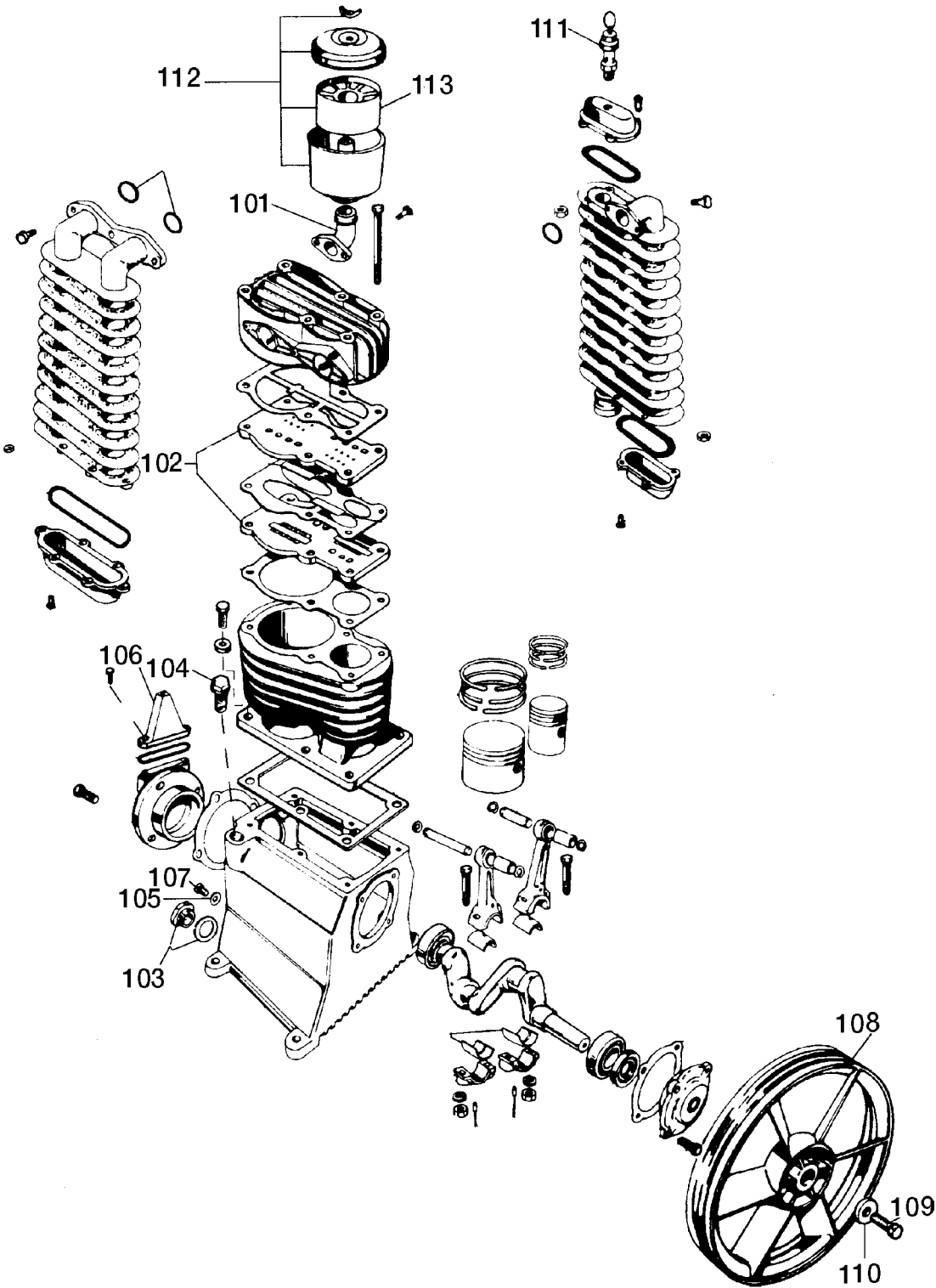


# BAL-T39



## Parts List for ACSL6580V2 Type 1

Item Number	Part Number	Description	Qty Required
1	000000-00	No Longer Available	1
2	000000-00	No Longer Available	1
3	5140110-49	PRESSURE SWITCH	1
4	TIA-4200	VALVE SAFETY 200 .25	1
5	GA-360-B	GAUGE 300 PSI BACK M	1
6	N000323	VALVE GLOBE 200 PSI	1
7	N286039	DRAIN VALVE	1
8	000000-00	No Longer Available	1
8	000000-00	No Longer Available	1
9	SSF-953-ZN	SCREW #10X.625 HHW S	2
10	000000-00	No Longer Available	1
11	000000-00	No Longer Available	1
12	SSF-8131	NUT SPEED 8AB U TYPE	2
13	000000-00	No Longer Available	1
14	000000-00	No Longer Available	1
15	000000-00	No Longer Available	1
16	SSP-7811	ASSY NUT SLEEVE 1/4	2
17	000000-00	No Longer Available	1
18	SSP-7824	ASSY NUT SLEEVE 5/8	1
101	ABP-1000123	ELBOW INLET T39	1
102	BAL-1000345	PLATE VALVE	1
103	BAL-1000306	GLASS SIGHT OIL	1
104	000000-00	No Longer Available	1
105	BAL-1000269	GASKET OIL FILL PLUG	1
106	BAL-1000112	ASSY OIL BREATHER BA	1
107	000000-00	No Longer Available	1
108	AC-0436	FLYWHEEL T39	1

## Parts List for ACSL6580V2 Type 1

Item Number	Part Number	Description	Qty Required
109	BAL-1000587	BOLT FLYWHEEL NS39 B	1
110	BAL-1000417	WASHER FLYWHEEL NS39	1
111	ABP-9049020	VALVE SAFETY	1
112	AC-0437	FILTER INLET SOLBERG	1
113	AC-0438	ELEMENT FILTER T29 &	1
856	000000-00	No Longer Available	1
856	000000-00	No Longer Available	1
856	000000-00	No Longer Available	1
856	DAC-252	VALVE CHECK 1/2NPT X	1
856	AC-0485	BRACKET BELTGUARD	1
856	BAL-8226022	KIT GASKET T39	1
856	BAL-8226024	KIT VALVE T39	1