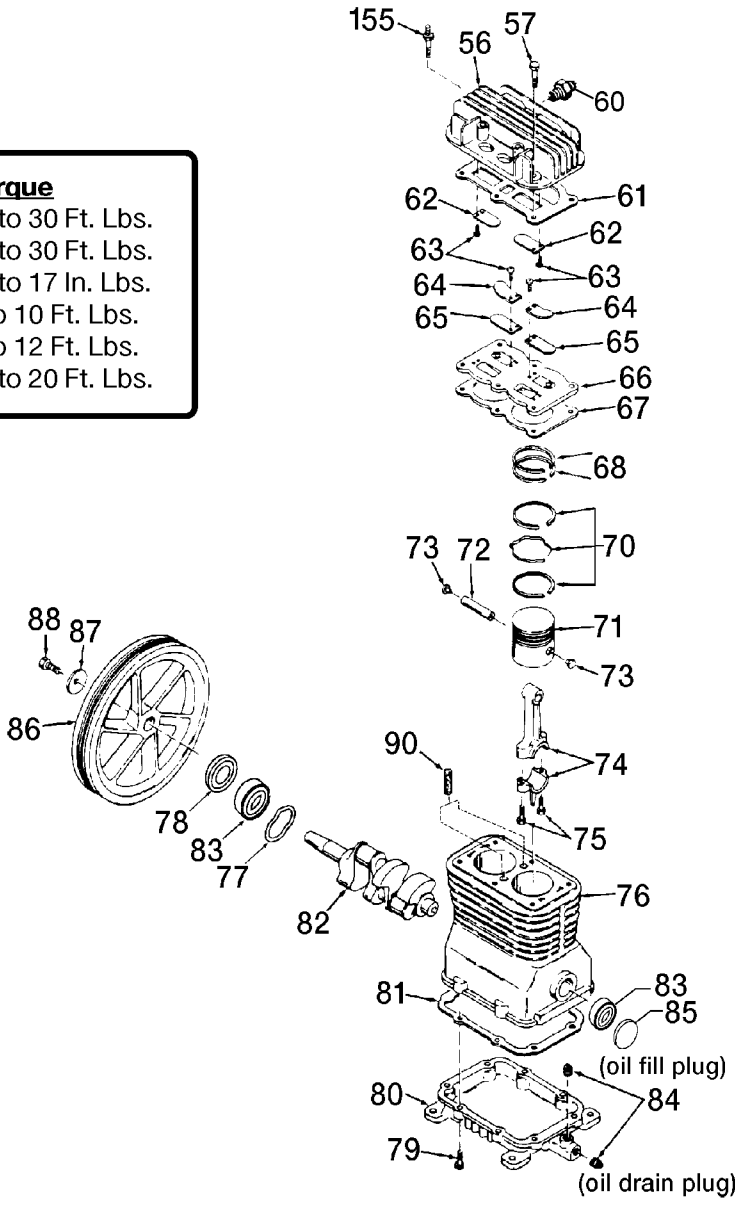
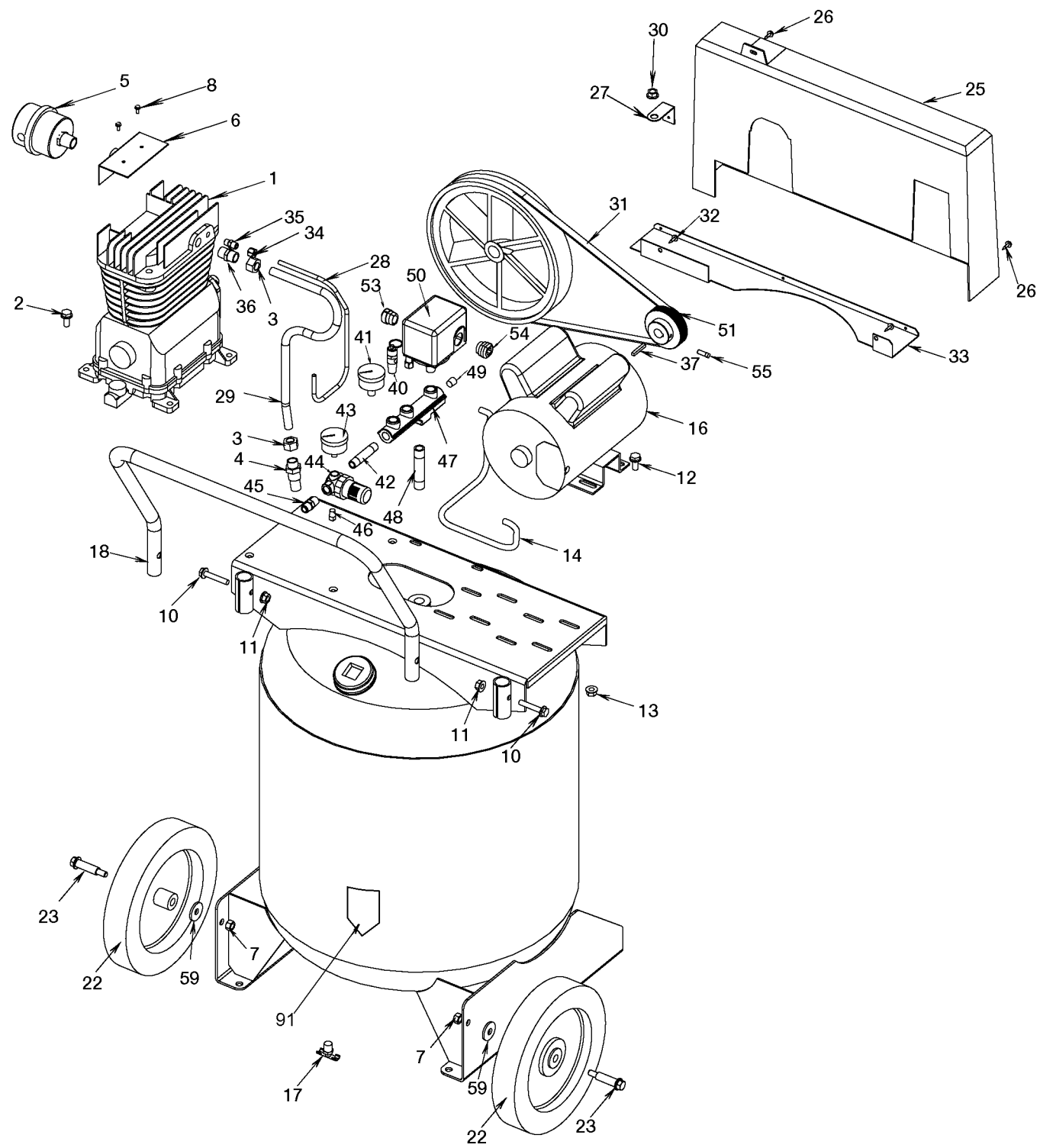


Key No.	Torque
155	25 to 30 Ft. Lbs.
57	25 to 30 Ft. Lbs.
63	13 to 17 In. Lbs.
75	7 to 10 Ft. Lbs.
79	9 to 12 Ft. Lbs.
88	15 to 20 Ft. Lbs.



Recommended Oils - One Stage Compressor Units
 Use a compressor oil such as SAE 20-20W SF motor oil. (Crankcase oil capacity is 16 fluid ounces.)
 Under extreme winter conditions use 10 weight oil. Multiviscosity oil, 10W30, will leave carbon deposits
 on critical components, reducing performance and compressor life.



Parts List for ACSL530RVP Type 3

Item Number	Part Number	Description	Qty Required
1	N076028SV	PUMP ASSEMBLY	1
2	SSF-928	SCREW .313-18X.875 H	4
3	SSP-7812	ASSY NUT SLEEVE 1/2	2
4	CAC-437-2	VALVE CHECK 1/2NPT X	1
5	AC-0331	FILTER REPLCMNT SOLB	1
5	AC-0330	FILTER INLET SOLBERG	1
6	AC-0322	ASSY FILTER PLATE	1
7	SSF-8080-ZN	NUT .375-16 UNC-2B H	2
8	5140123-08	SCREW	2
10	000000-00	No Longer Available	2
11	SS-656-CD	NUT .313-18 UNC HEX	2
12	000000-00	No Longer Available	4
13	SSF-8150	NUT .312-18 UNC HEX	4
14	CAC-4205	CORD MOTOR SJT 14G	1
16	Z-MO-3021-1	MOTOR 2 POLE 120/240	1
17	N286039	DRAIN VALVE	1
18	000000-00	No Longer Available	1
22	D23138	WHEEL 9 BLACK SEMI-P	2
23	CAC-60	BOLT .375-16X2.25 UN	2
25	000000-00	No Longer Available	1
26	SSF-953-ZN	SCREW #10X.625 HHW S	1
27	000000-00	No Longer Available	1
28	CAC-1331	TUBE PRESSURE RELEAS	1
29	CAC-357-1	TUBE OUTLET 60G	1
30	SSF-8113-ZN	NUT .375-16X.563 HEX	1
31	000000-00	No Longer Available	1
32	39124607	SCREW .250-20X.625 H	2

Parts List for ACSL530RVP Type 3

Item Number	Part Number	Description	Qty Required
33	CAC-362-1	CLOSURE BELTGUARD	1
34	SSP-7811	ASSY NUT SLEEVE 1/4	1
35	SS-8553	CONNECTOR BODY	1
36	SSP-9401	CONNECTOR BODY STRAI	1
37	SUDL-65	KEY MOTOR SHAFT	1
40	TIA-4150	VALVE SAFETY 150 .25	1
41	A18885	GAUGE	1
42	SSP-480	NIPPLE 1/4-18 NPT X	1
43	Z-D23004	GAUGE 1.5OD 200PSI .	1
44	000000-00	No Longer Available	1
45	D26889	ADAPTER .25 NPT X .2	1
46	SS-1215	PLUG PIPE GALV 1/8	1
47	000000-00	No Longer Available	1
48	SS-2110	NIPPLE GALV 3/8 X 3	1
49	SS-3222-CD	PLUG PIPE	1
50	000000-00	No Longer Available	1
51	000000-00	No Longer Available	1
53	SSW-7385	BUSHING STRAIN RELIE	1
54	33821-00	BUSHING	1
54	438010040063	HEYCO BUSHINGS	1
55	SS-391	SCREW .250-20 .625 S	1
56	Z-CAC-4213	ASSY HEAD	1
57	SSF-955	SCREW .375-16X1.50 H	5
59	000000-00	No Longer Available	2
61	5140118-80	GASKET	1
62	KK-4275	KIT VALVE	1
63	KK-4275	KIT VALVE	1

Parts List for ACSL530RVP Type 3

Item Number	Part Number	Description	Qty Required
64	CAC-294	PLATE RESTRICTOR	2
65	KK-4275	KIT VALVE	1
66	Z-CAC-4212-1	ASSY VALVE PLATE	1
67	CAC-1265-2	USE Z-CAC-1265-2	1
68	000000-00	No Longer Available	1
70	000000-00	No Longer Available	1
71	CAC-55-1	PISTON MACHINE DWG 2	2
72	265-19	PIN PISTON	2
73	CAC-207	PLUG PISTON PIN	4
74	265-410	ASSY CONNECTING ROD	2
75	SSF-927	SCREW .250-20X1.125	4
76	Z-AC-0205	CRANKCASE & CYLINDER	1
77	SSN-1018	WASHER WAVY SPRING 2	1
78	AC-0169	SEAL OIL	1
79	SSF-925	SCREW .250-20X.875 H	8
80	000000-00	No Longer Available	1
81	265-16-1	GASKET BASE	1
82	Z-D22270	CRANKSHAFT MACH BALL	1
83	SST-104	BEARING 6205C3	2
84	SSP-486	PLUG PIPE 3/8 - 18 N	2
85	SSP-505	PLUG 52MM OIL	1
86	265-2	FLYWHEEL 10 OD CI PO	1
87	SSN-1014-ZN	WASHER .339/.344 ID	1
88	SSF-3039-ZN	SCREW .313-18X.750 H	1
90	265-6	VENT FILTER	2
91	000000-00	No Longer Available	1
155	SSF-6627	STUD SHOULDER 3/8-16	1

Parts List for ACSL530RVP Type 3

Item Number	Part Number	Description	Qty Required
856	KK-4275	KIT VALVE	1
856	AC-0333	FILTER FELT O/L	1
856	5140118-38	GASKET KIT	1
856	000000-00	No Longer Available	1
856	SST-107	BUMPER RECESSED RUBB	2
856	SUDL-413-2	ASSY CORD POWER ST	1
856	KK-5020	KIT PRESSURE RELIEF	1
856	SSF-630	SCREW .250-20X1.50 H	2